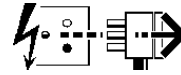


4010530 4010552 4037068 4037069 4062904
 4062905 4062918 4062919 4109153 4109154
 4109193 4136608 4140783 4147955 4147956
 4147957 4158141 4164116 4164854 4165171
 4165502

Disconnect from mains supply before replacing the fuse or the lamp.
 Vor dem Einsetzen der Sicherung oder der Lampe Spannungsfreiheit herstellen.
Débrancher le secteur avant de remplacer le fusible ou l'ampoule.
 Desconectar del suministro de la red, antes de realizar la sustitución del fusible o de la lámpara.
Voor het vervangen van lamp of zekering, eerst netspanning uitschakelen.
 Koppla bort spänningen före byte av en säkring eller en lampa.



Switch Off
 Abschalten
Débrancher
 Desconectar
Uitschakelen
 Stäng av

This luminaire, designed for maintained emergency operation with a duration of 3 hours, is suitable for interior ceiling or wall mounting.

Installation should be carried out by a suitably qualified person in accordance with good electrical practice and the appropriate national wiring regulations.

NOTE: Ensure mounting surface is compatible with luminaire, i.e. low density tiles, uneven surfaces etc.

Switch off mains electrical supply before commencing installation.

Installation Procedure

Check rating marked on label (G) conforms with mains electrical supply.

Partially screw suitable round headed screws in mounting surface at 230mm centres.

Note gallery is marked 'TOP' for wall mounting.

Enter supply connection date on battery pack label (F). Feed mains and emergency cables (D) through grommet in gallery (H).

Locate gallery fixing holes over fixing screw heads, insert slip washers (J) under screw heads and tighten screws.

Connect mains and emergency cable leads in terminal blocks (E) as shown in wiring diagram.

Connect black flying lead (K) from battery pack to terminal 14 on lighting module (C).

Fit trim (I) on gallery.

Fit appropriate lamp as shown on label (G) by pushing it firmly into lampholder.

Fit diffuser (L) in trim ensuring it is held concentrically by retaining clips (A).

Testing (PTO)

Switch on mains supply and check that the charge indicator lamp (B) is on.

Leave luminaire on continuous charge for 24 hours.

Simulate mains failure and check that lamp operates for 3 hours. If full duration of 3 hours is not achieved, repeat charge/discharge cycle as battery pack may have discharged in stock and will require conditioning.

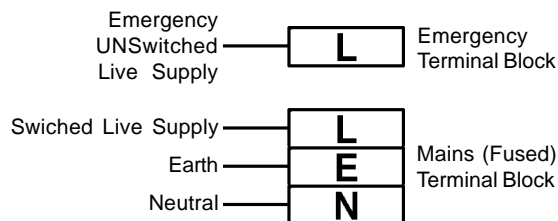
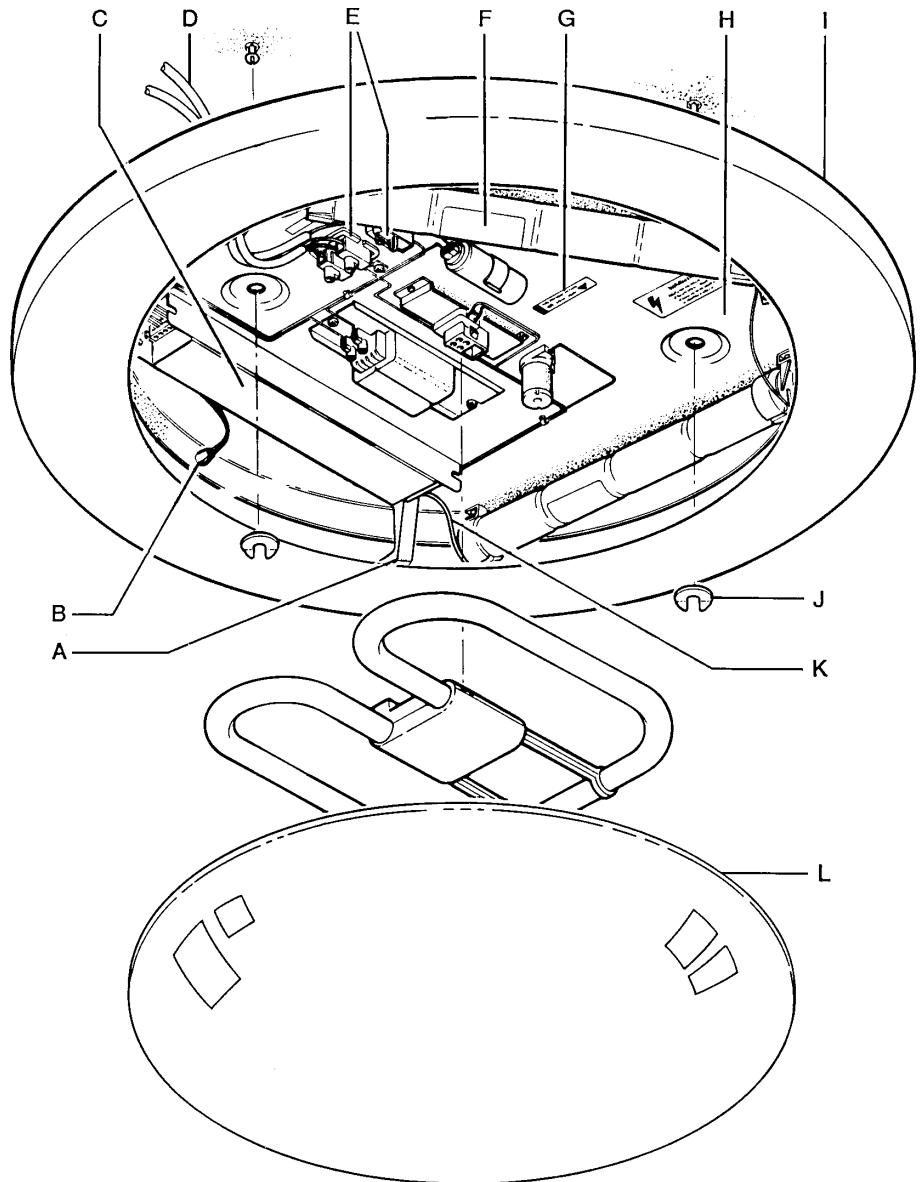
WARNING: This luminaire must be earthed.

WARNING: Do not megger.

Rated Lumen outputs:
 ORHD = 195, ORHP = 305

NOTE: This luminaire should be cleaned using warm soapy water and a soft cloth. Ensure that luminaire is switched off during cleaning.

Dispose of lamps in accordance with manufacturer's instructions.



Routine Maintenance

Routine maintenance must be carried out in compliance with the requirements of BS5266:Part 1 - Emergency Lighting of Premises.

The following tests assume a three-hour system.

- Daily:**
1. Check that any recorded faults have been rectified.
 2. Check that the maintained emergency lamp is operative.
 3. Check that the charge indicator light is illuminated.
- Monthly:**
(Functional)
1. Simulate a mains failure and check that the emergency lamp illuminates and remains on for several minutes.
 2. After reverting back to mains supply check the charge indicator light is illuminated.
- Six Monthly:**
(1 Hour)
1. Simulate a mains failure and check that the emergency lamp illuminates and remains on for one hour.
 2. After reverting back to mains supply check the charge indicator light is illuminated.
 3. On restoring the mains supply the unit will require approximately 24 hours to recharge before becoming fully operational.
- Three Years:**
(3 Hours)
1. Simulate a mains failure and check that the emergency lamp illuminates and remains on for at least 3 hours.
 2. After reverting back to mains supply check the charge indicator light is illuminated.
 3. On restoring the mains supply the unit will require approximately 24 hours to recharge before becoming fully operational.

It is recommended that the battery packs and lamps are replaced every 4 years or sooner if the units performance fails to meet the above requirements. To maintain optimum unit performance, only approved replacement battery packs and lamps must be used.

All routine maintenance checks must be recorded on the unit Routine Test Record and must be made available for inspection at all times.

Installation and Commissioning Record

.....

Luminaire Model Ref: Location:

.....

Installed By: Date:

.....

Commissioned by: Date:

(Full Charge and Discharge Cycle)

.....

Routine Test Record

Monthly Test	First Year		Second Year		Third Year		Forth Year		Fifth Year	
	Signed	Dated	Signed	Dated	Signed	Dated	Signed	Dated	Signed	Dated
Functional										
Functional										
Functional										
Functional										
Functional										
1 Hour Duration										
Functional										
Functional										
Functional										
Functional										
Functional										
1 Hour Duration										
3 Hour Duration										

Suitable for use indoors
 Geeignet für Innenanwendung
Pour un usage interne
 Adecuada para uso en interiores
Geschikt voor gebruik binnen
 Lämpig för inomhusbruk



Replace any cracked protective shield.
 Dieses symbol bedeutet, dass defekte Schutzgläser sofort ersetzt werden müssen.
Ce symbol indique que vous devez remplacer tout verre de protection fêlé.
 Este simbolo indica que hay que reemplazar filtros en caso de rotura o desperfectos.
Dette symbolet indikerer at alle ødelagte (sprukne) sikkerhetsglass må skiftes.
 Valaisinta el saa käyttää ilman suojalasia vioittunut suojalasi on vaihdettava uuteen ennen valaisimen käyttöön ottoa.

< Millimetres >

This Electrical Product MUST be recycled.

04.08

