



Switch off

Disconnect from mains supply before replacing the fuse or the lamp.

TRACK



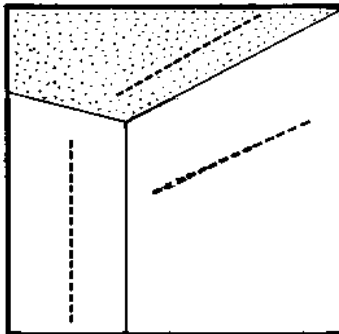
WRONG

Do not mount track with mouth pointing upwards.

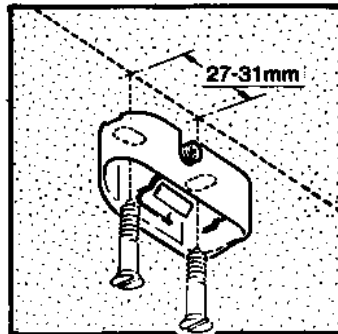


The starter track includes a Live-end, a Dead-end, and Mounting Clips - 1 metre x 2
2 metre x 3

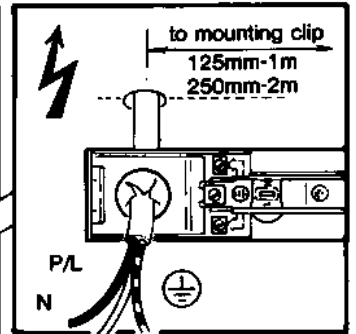
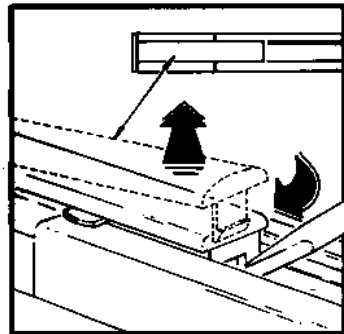
Note: The track is rated at 16A but the loading may be restricted by the circuit rating. e.g. 5A (lighting circuit) = 1200W, 13A = 3120W max.



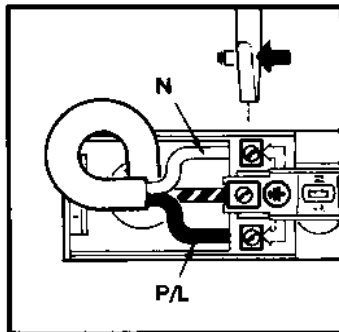
1. Determine the location for the track and mark a straight line on the ceiling or wall.



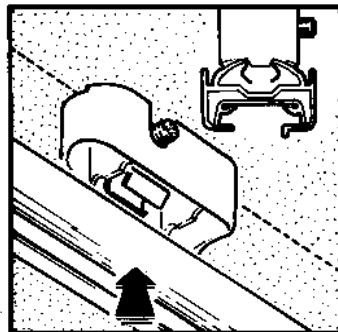
2. Screw the mounting clips to the surface, making sure that they are no more than 750mm apart. (Screws Live-end, not supplied).



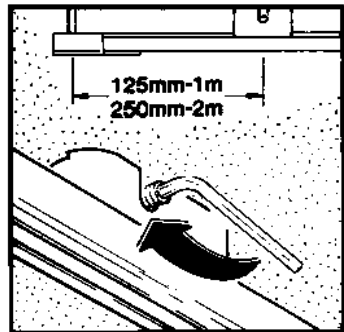
4. Pierce the flexible plug and pass the mains feed cable through. (Note: The track must be earthed).



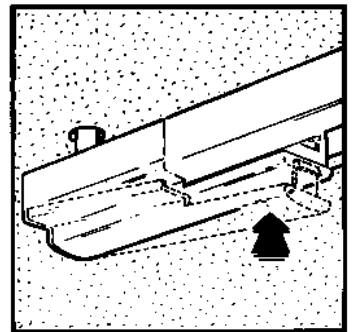
5. Wire the Live-end as shown:
N - Neutral (Blue or Black)
P/L - Live (Brown or Red)
⊕ - Earth - (Green/Yellow)
and tighten terminal screws.



6. Loosen allen screw, with the key provided, and snap the track onto the mounting clips.

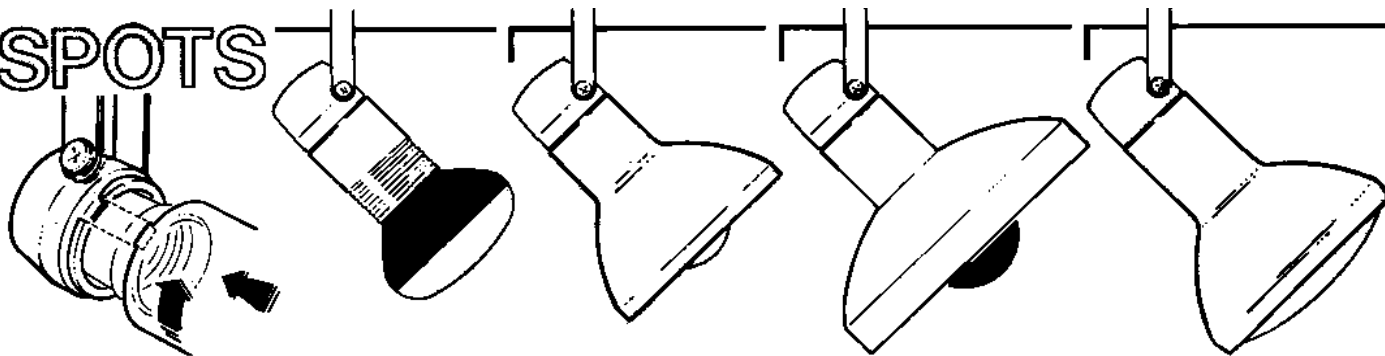


7. Position track as shown, and tighten allen screw with the key shown, ensuring that it 'clicks' securely into position.



8. Replace the Live-end cover, as provided, and snap the track onto the mounting clips.

SPOTS



S10630
Lampholder Housing

S10631
Sleeve

S10632
Reflector

S10633
Reflector

S10634
Cowl



R80 100W Max E27

A60 60W Max E27 or

A-CS65 100W Max E27

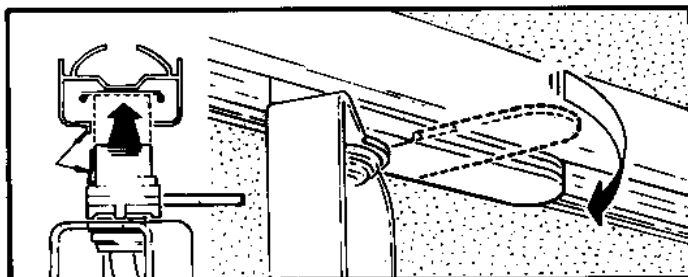
Par 38 120W Max E27



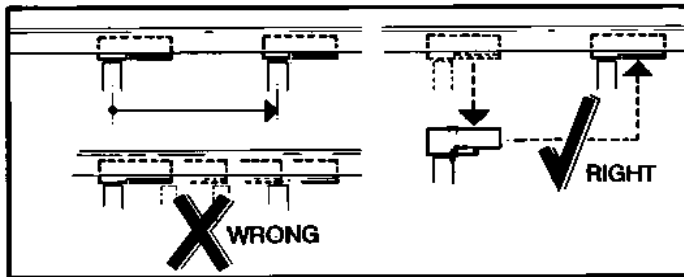
R63 60W Max E27

N.B. DO NOT USE LAMPHOLDER HOUSING WITHOUT ACCESSORY. DO NOT SWITCH ON MAINS SUPPLY UNTIL LAMP HAS BEEN FULLY INSERTED INTO LAMPHOLDER. DO NOT OVERTIGHTEN LAMP. DO NOT OPERATE IN AMBIENT TEMPERATURE EXCEEDING 45°C (112°F) (Ta 45°C).

CONNECTING SPOT TO TRACK



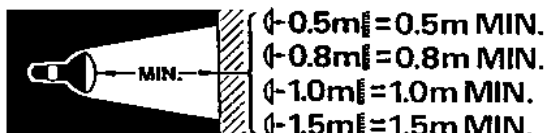
Open lever on Adaptor and orientate spot as shown. Earth bead on track must connect with Earth connection on Adaptor. Ensure spot is fully inserted into track and close lever.



N.B. To reposition spot, always remove Adaptor completely from track. Do not attempt to slide adaptor along track mouth.

IMPORTANT - PLEASE READ

- Follow Instruction Sheet to ensure safe and reliable operation of Product. Retain for future reference.
- The product should NOT be modified. Any modification will negate the safety mark/approvals, and may render the product unsafe.
- Concord Lighting accepts no responsibility for modified products. Modifications include devices fitted between the lamp and lampholder.
- All replacement components should be identical with those replaced. Disposal to be as manufacturers instructions.
- Do not interconnect Class III and Class I luminaires or components.
- Concord adaptors, connectors and track luminaires must only be used on the Concord track system for which they are designed. Do not use other manufacturers products.
- Only lamps of correct type and rating should be used, and fully and correctly inserted into the lampholder. Manufacturers instructions should be complied with.
- Certain lamp types (H.Q.I.(HIT), T.H.) reach maximum temperatures rapidly. Care must be taken when adjusting or relamping.
- Regular and careful cleaning is required to ensure optimum performance and safety. Concord Lighting accepts no responsibility for the effects of solvents used when installing, servicing, or re-decorating the surround, or for the accumulation of dust and dirt.
- Unless specified otherwise, all products are IP20 (ordinary). DO NOT operate in damp or corrosive situations.
- Disconnect from MAINS SUPPLY BEFORE: Installation, Maintenance or replacing the fuse or the lamp.
- Care must be taken when drilling holes near existing installation wiring, to avoid electric shock.
- Concord Lighting accepts no responsibility for the effects of solvents present in the installation.
- Any closure or ceiling void which prevents normal heat dissipation may cause reduced performance, overheating and risk of fire.



Above symbol indicates the safest minimum distance of lamp from a flammable surface.

If in any doubt contact a qualified electrical consultant.