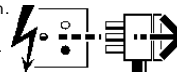
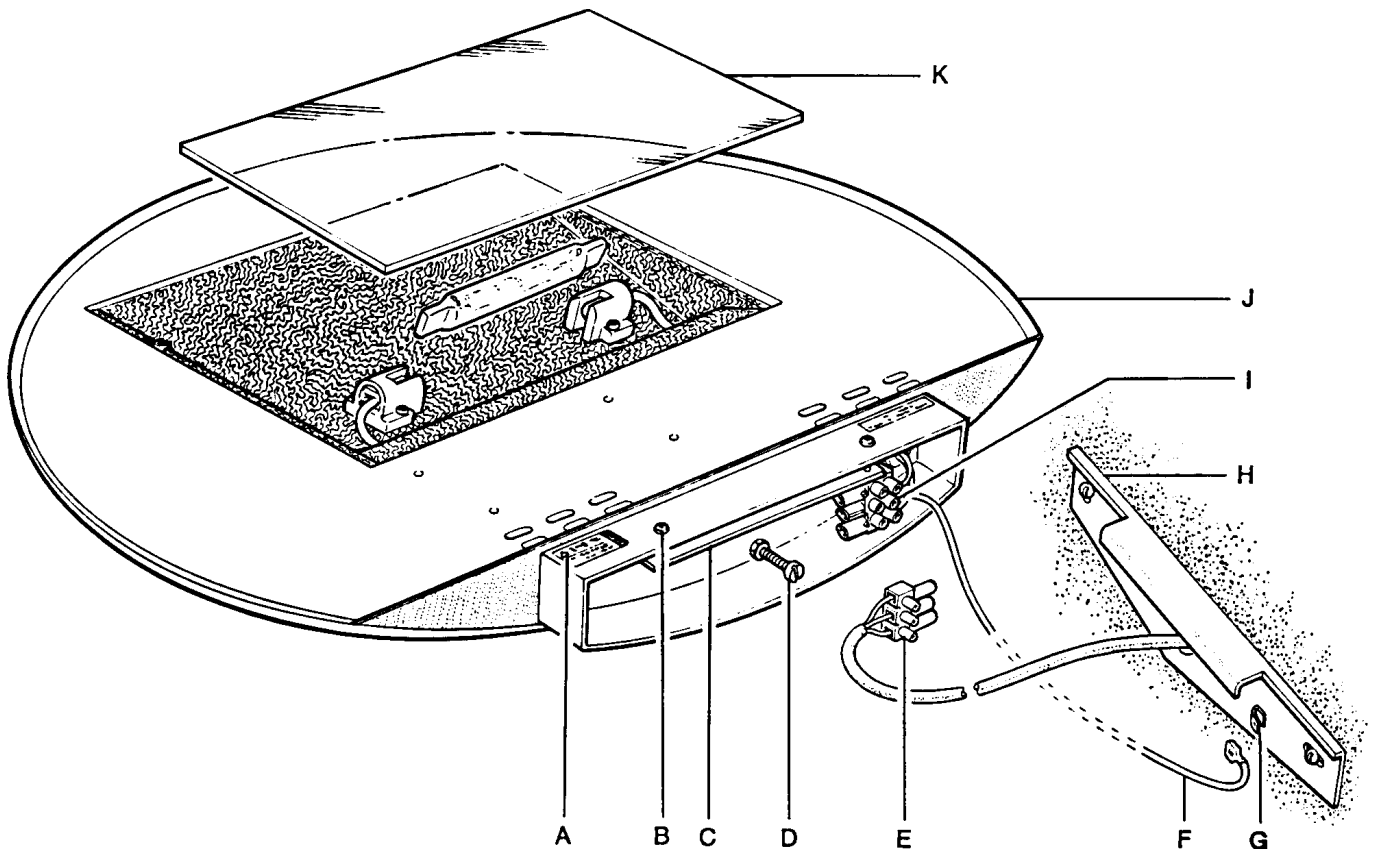


Disconnect from mains supply before replacing the fuse or the lamp.
 Vor dem Einsetzen der Sicherung oder der Lampe Spannungsfreiheit herstellen.
Débrancher le secteur avant de remplacer le fusible ou l'ampoule.
 Desconectar del suministro de la red, antes de realizar la sustitución del fusible o de la lámpara.
Voor het vervangen van lamp of zekering, eerst netspanning uitschakelen.
 Koppla bort spänningen före byte av en säkring eller en lampa.



Switch Off
 Abschalten
Débrancher
 Desconectar
Uitschakelen
 Stäng av



This luminaire is suitable for interior wall mounting.

Installation should be carried out by a suitably qualified person in accordance with good electrical practice and the appropriate national wiring regulations.

Switch off mains electrical supply before commencing installation.

Installation Procedure

Unscrew mounting screws (B) with 2.5mm hexagon key, remove mounting bracket (H) and disconnect earth lead (F).

Prepare suitable fixings in mounting surface at 140mm centres for mounting bracket (H).

Pass mains supply/earth leads through grommet in mounting bracket (H) and secure bracket using suitable round headed screws, ensuring bracket is horizontal.

Remove plug (E) from socket (I) and connect mains supply/earth leads in respectively marked terminals in plug.

Push plug into socket and connect earth lead (F) to terminal (G) on mounting bracket.

Offer housing (J) to mounting bracket (H) and locate bracket flange between housing (J) and retaining bar (C). Tighten mounting screws (B) with hexagon key.

Check housing (J) is square with mounting surface, if not, remove housing and adjust levelling screw (D) to suit.

Fit appropriate lamp as indicated on label (A).
 NOTE: Do not handle lamp with bare fingers.

Place glass (K) in position with opaque area to back.

WARNING: This luminaire must be earthed.

NOTE: This luminaire should be cleaned using warm soapy water and a soft cloth. Ensure luminaire is switched off during cleaning.

Dispose of lamps in accordance with lamp manufacturer's instructions.

Suitable for use indoors
 Geeignet für Innenanwendung
Pour un usage interne
 Adecuada para uso en interiores
Geschikt voor gebruik binnen
 Lämplig för inomhusbruk



Replace any cracked protective shield.

Dieses symbol bedeutet, dass defekte Schutzgläser sofort ersetzt werden müssen.

Ce symbol indique que vous devez remplacer tout verre de protection fêlé.

Este simbolo indica que hay que reemplazar filtros en caso de rotura o desperfectos.



Dette symbolet indikerer at alle ødelagte (sprukne) sikkerhetglass må skiftes.

Valaisinta ei saa käyttää ilman suojalasiasa vioitunut suojalasi on vaihdettava uuteen ennen valaisimen käyttöön ottoa.

< Millimetres >



This Electrical Product
 MUST be recycled.



03.08