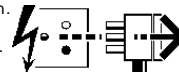
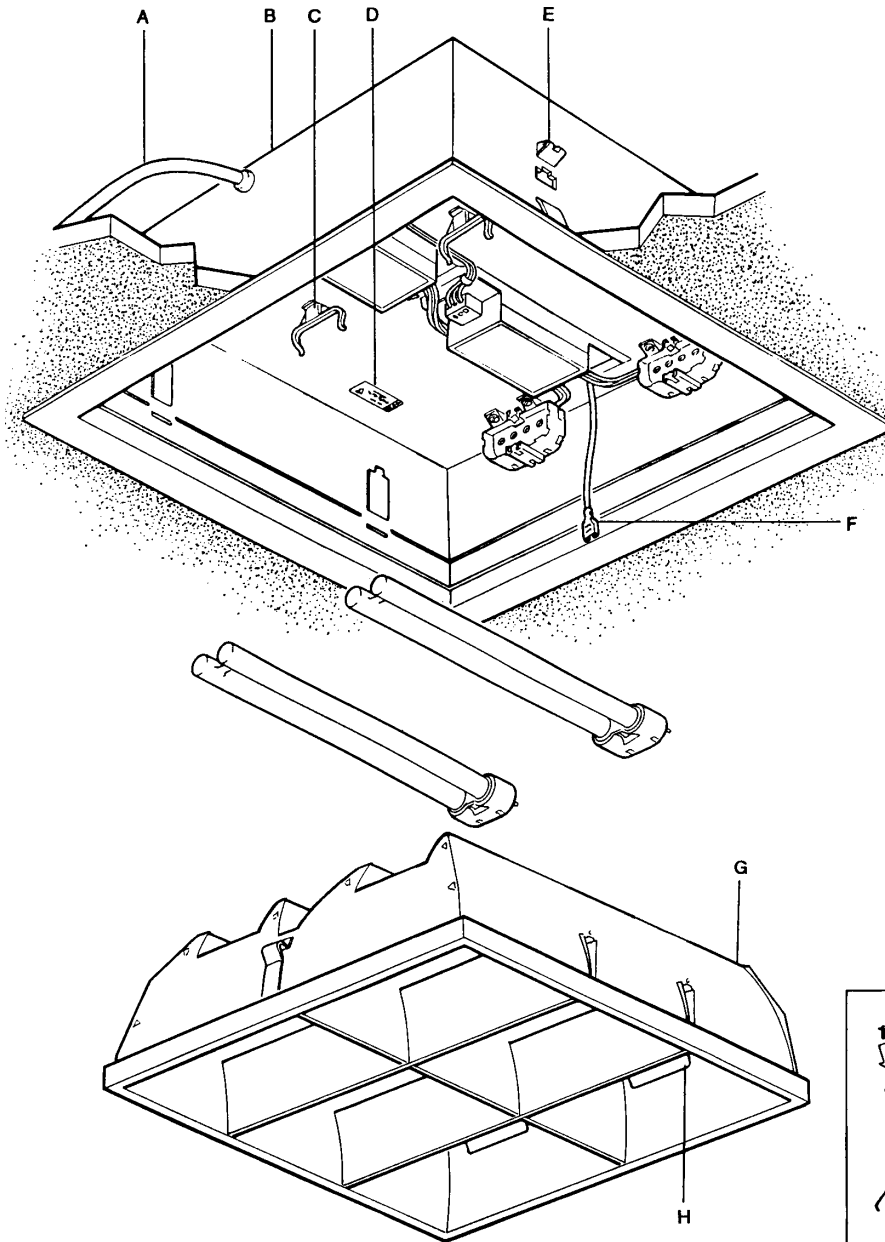


Disconnect from mains supply before replacing the fuse or the lamp.
Vor dem Einsetzen der Sicherung oder der Lampe Spannungsfreiheit herstellen.
Débrancher le secteur avant de remplacer le fusible ou l'ampoule.
Desconectar del suministro de la red, antes de realizar la sustitución del fusible o de la lámpara.
Voor het vervangen van lamp of zekering, eerst netspanning uitschakelen.
Koppla bort spänningen före byte av en säkring eller en lampa.



Switch Off
Abschalten
Débrancher
Desconectar
Uitschakelen
Stäng av



This luminaire is suitable for interior ceiling mounting.

The M 00700 and M 00750 housings require a 290mm or 380mm square aperture respectively and a recess depth of 105mm.

Installation should be carried out by a suitably qualified person in accordance with good electrical practice and the appropriate national wiring regulations.

Switch off mains electrical supply before commencing installation.

INSTALLATION PROCEDURE

Prepare aperture in mounting surface. Extract mounting clips (E) as shown in Fig.1.

Connect supply cable (A) from housing to mains electrical supply using a suitable junction box.

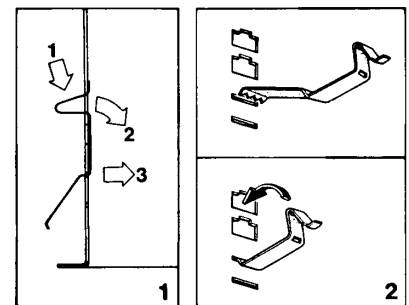
Insert housing (B) in aperture and fit mounting clips (E) as shown in Fig.2.

Fit appropriate lamps as shown on label (D). Ensure lamps are located in clips (C).

Connect earth lead (F) to louvre controller (G) earth terminal.

Insert louvre controller in housing. NOTE: Locate large cut-outs (H) in louvre over lampholders.

WARNING: THIS LUMINAIRE MUST BE EARTHED



Replace any cracked protective shield.

Dieses symbol bedeutet, dass defekte Schutzgläser sofort ersetzt werden müssen.

Ce symbole indique que vous devez remplacer tout verre de protection fêlé.

Este simbolo indica que hay que 'reemplazar filtros en caso de rotura o desperfectos'.

Dette symbolet indikerer at alle ødelagte (sprukne) sikkerhetglass må skiftes.

Valaisinta el saa käyttää ilman suojalasia vioitunut suojalasi on vaihdettava uuteen ennen valaisimen käyttöön ottoa.

Suitable for use indoors
Geeignet für Innenanwendung
Pour un usage interne
Adecuada para uso en interiores
Geschikt voor gebruik binnen
Lämplig för inomhusbruk



This Electrical Product
MUST be recycled.



< Millimetres >