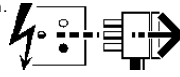


M 00200  
M 00206  
Accessories  
M 00207  
M 00208

**Disconnect from mains supply before replacing the fuse or the lamp.**  
Vor dem Einsetzen der Sicherung oder der Lampe Spannungsfreiheit herstellen.  
**Débrancher le secteur avant de remplacer le fusible ou l'ampoule.**  
Desconectar del suministro de la red, antes de realizar la sustitución del fusible o de la lámpara.  
**Voor het vervangen van lamp of zekering, eerst netspanning uitschakelen.**  
Koppla bort spänningen före byte av en säkring eller en lampa.



**Switch Off**  
Abschalten  
**Débrancher**  
Desconectar  
**Uitschakelen**  
Stäng av

This luminaire is suitable for interior ceiling mounting and requires a 70mm diameter aperture and a minimum recess depth of 90mm

Installation should be carried out by a suitably qualified person in accordance with good electrical practice and the appropriate national wiring regulations.

Switch off mains electrical supply before commencing installation.

**Installation Procedure**

Remove cover (A).

Place mirror accessory over housing (if applicable).

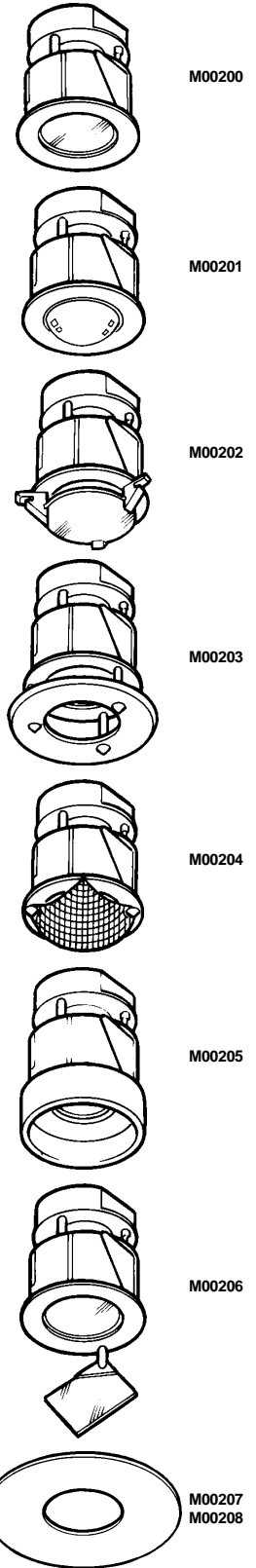
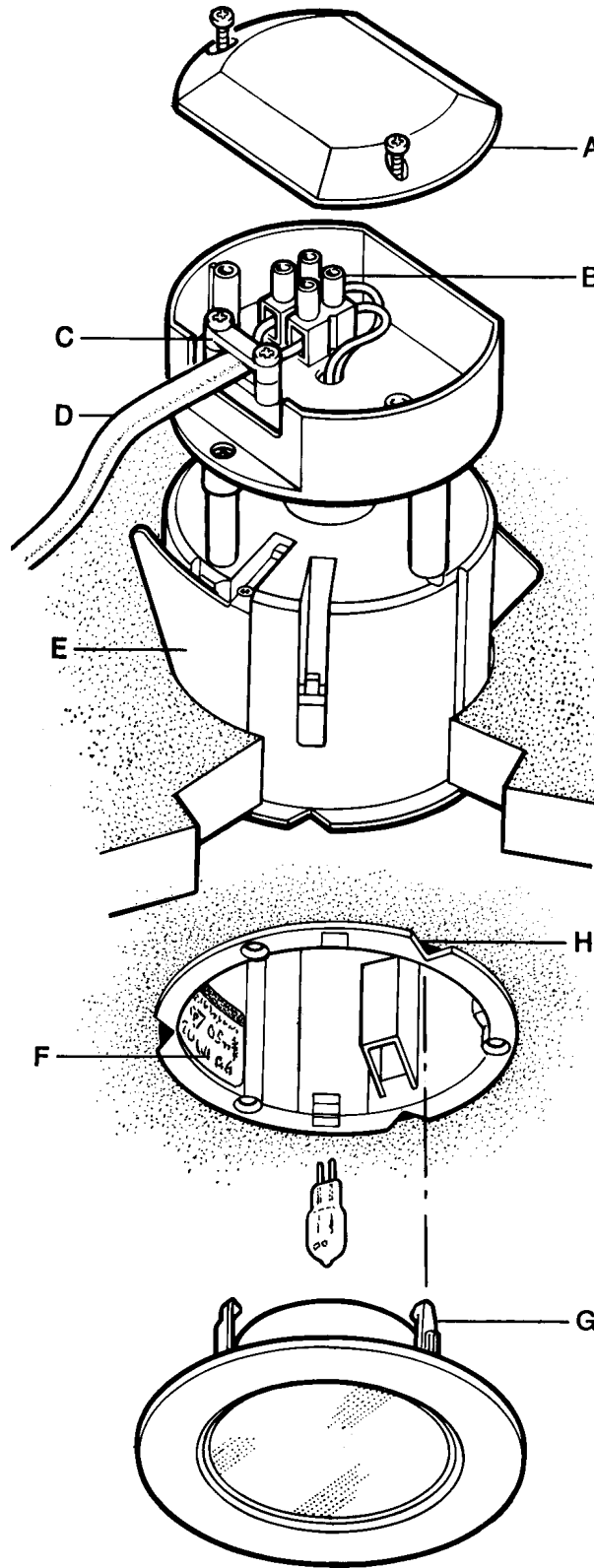
Pass supply cable (D) through cable clamp (C) and connect cable leads in terminal block (B).

Tighten cable clamp screws and fit cover.

Hold clips (E) against housing and insert housing in aperture.

Fit appropriate lamp as shown on label (F).

Align trim retaining legs (G) with housing cut-outs (H) and insert trim in housing.



**Suitable for use indoors**  
Geeignet für Innenanwendung  
**Pour un usage interne**  
Adecuada para uso en interiores  
**Geschikt voor gebruik binnen**  
Lämplig för inomhusbruk



**Replace any cracked protective shield.**  
Dieses symbol bedeutet, dass defekte Schutzgläser sofort ersetzt werden müssen.  
**Ce symbol indique que vous devez remplacer tout verre de protection fêlé.**  
Este símbolo indica que hay que 'reemplazar filtros en caso de rotura o desperfectos'.  
**Dette symbolet indikerer at alle ødelagte (sprukne) sikkerhetsglass må skiftes.**  
Valaisinta ei saa käyttää ilman suojalasiasa vioitunut suojalasi on vaihdettava uuteen ennen valaisimen käyttöön ottoa.

< Millimetres >

