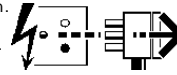
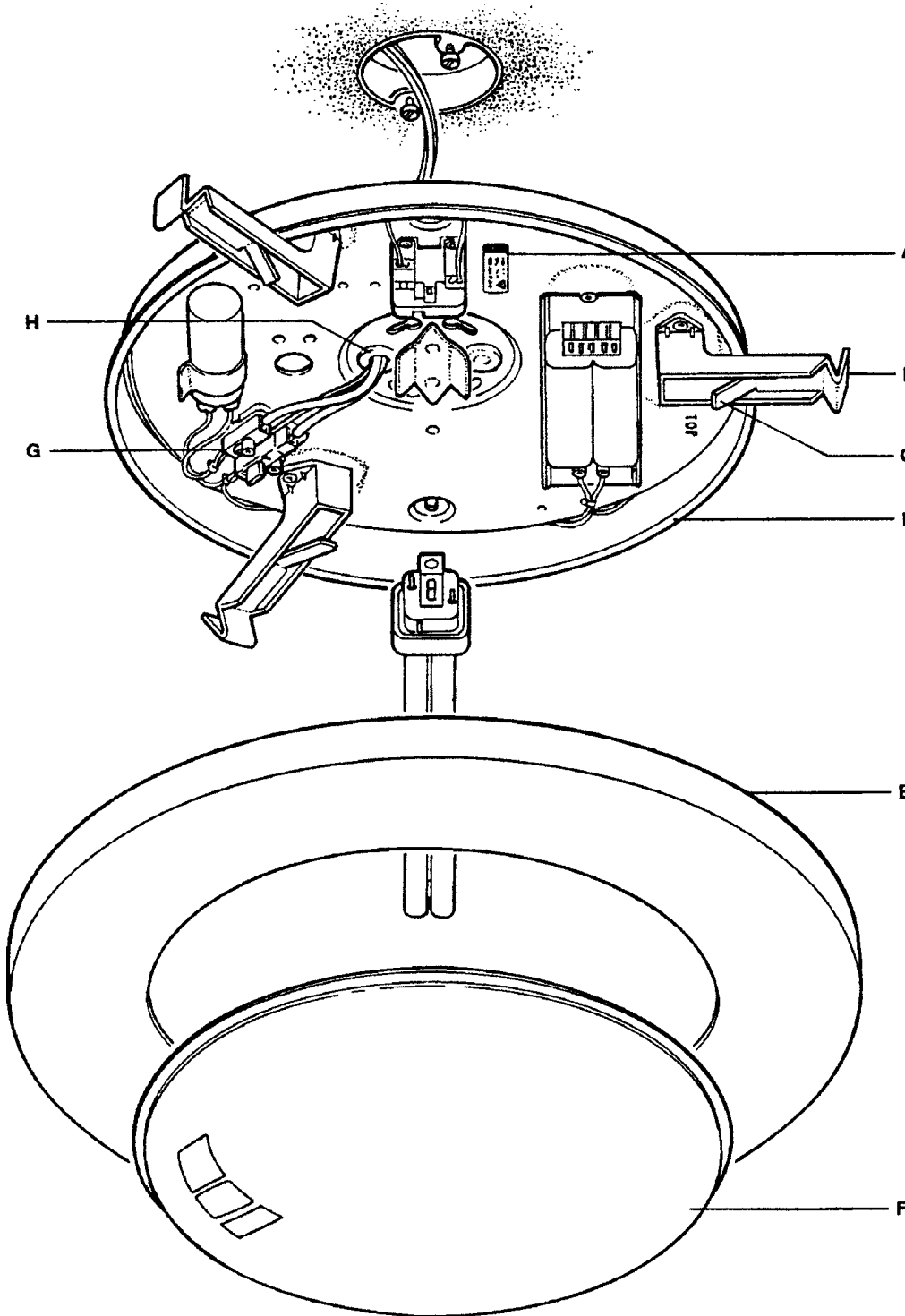


4108517 4163119 4137333 4147835 4158117
4008071 4036979 4062892 4062893 4147834
4165019

Disconnect from mains supply before replacing the fuse or the lamp.
Vor dem Einsetzen der Sicherung oder der Lampe Spannungsfreiheit herstellen.
Débrancher le secteur avant de remplacer le fusible ou l'ampoule.
Desconectar del suministro de la red, antes de realizar la sustitución del fusible o de la lámpara.
Voor het vervangen van lamp of zekering, eerst netspanning uitschakelen.
Koppla bort spänningen före byte av en säkring eller en lampa.



Switch Off
Abschalten
Débrancher
Desconectar
Uitschakelen
Stäng av



This luminaire is suitable for interior wall or ceiling mounting to a 50.8mm conduit box or directly to a mounting surface.

Installation should be carried out by a suitably qualified person in accordance with good electrical practice and the appropriate national wiring regulations.

Switch off mains electrical supply before commencing installation.

Installation Procedure

A Check that mains supply conforms with rating marked on label (A).

Partially screw suitable M4 screws in conduit box, or prepare suitable fixings in mounting surface at 215mm centres as applicable. NOTE: Gallery is marked 'TOP' for wall mounting.

Fit grommets (H) in gallery (D). NOTE: If fitting gallery directly to mounting surface, recess mounting around cables to allow clearance for grommets.

Pierce gallery grommets (H) and pass mains supply leads and looping in/out leads if applicable through grommets into gallery (D).

Locate and secure gallery on conduit box or directly to mounting surface as applicable.

Cover mains supply leads and loop in/out leads, if applicable with silicone sleeving and connect leads in respectively marked terminals in terminal block (G).

Fit appropriate lamp as shown on label (A).

Push Halo Ring (E) on retaining brackets (B).

Insert diffuser (F) in ring ensuring it is held concentrically by retaining lugs (C).

WARNING: This luminaire must be earthed.

WARNING: High frequency electronic types must not be insulation tested.

NOTE: Luminaire should be cleaned using warm soapy water and a soft cloth. Ensure luminaire is switched off during cleaning.

Dispose of lamps in accordance with manufacturer's instructions.

Suitable for use indoors
Geeignet für Innenanwendung
Pour un usage interne
Adecuada para uso en interiores
Geschikt voor gebruik binnen
Lämplig för inomhusbruk



Replace any cracked protective shield.

Dieses symbol bedeutet, dass defekte Schutzgläser sofort ersetzt werden müssen.

Ce symbol indique que vous devez remplacer tout verre de protection fêlé.

Este símbolo indica que hay que reemplazar filtros en caso de rotura o desperfectos.



Dette symbolet indikerer at alle ødelagte (sprukne) sikkerhetglass må skiftes.

Valaisinta ei saa käyttää ilman suojalasiasa vioittunut suojalasi on vaihdettava uuteen ennen valaisimen käyttöön ottoa.

< Millimetres >



This Electrical Product
MUST be recycled.



03.08

Concord

Avis Way Newhaven East Sussex BN9 0ED
T 0870 606 2030 F 01273 512 688 email: information@concordmarlin.com