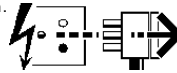
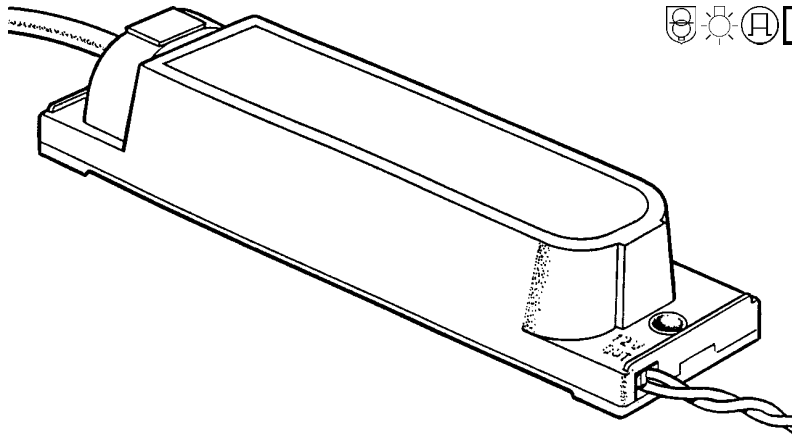


Disconnect from mains supply before replacing the fuse or the lamp.
 Vor dem Einsetzen der Sicherung oder der Lampe Spannungsfreiheit herstellen.
Débrancher le secteur avant de remplacer le fusible ou l'ampoule.
 Desconectar del suministro de la red, antes de realizar la sustitución del fusible o de la lámpara.
Voor het vervangen van lamp of zekering, eerst netspanning uitschakelen.
 Koppla bort spänningen före byte av en säkring eller en lampa.



Switch Off
 Abschalten
Débrancher
 Desconectar
Uitschakelen
 Stäng av



MTE 080

This NON-Dimmable electronic transformer is designed for the efficient operation of all switched only low voltage lighting circuits.

MTE 080 DIM

This dimmable electronic transformer is designed to provide smooth and stable dimming with all types of domestic/resistive and hard fired inductive dimmers.

Installation should be in accordance with the relevant national wiring regulations and other applicable regulations. Compliance to EC, EMC and Low Voltage directives may be invalidated if not installed to the published specification.

Electronic transformers operate at high frequencies. The output voltage cannot be measured on a standard voltmeter. The output leads should not be separated by more than 10mm and should be kept to a minimum length to achieve optimum regulation and EMC suppression. Electronic transformers are not recommended for use with unapproved parallel rod or tensioned wire lighting systems. Transformers should be located in well ventilated areas and should not be covered by any insulating materials.

Installation Procedure

Connect Input cable leads to respective mains supply terminals.

Refer to Connecting table and connect Output leads as appropriate.

Lamp Loading:
 20 Watt - 80 Watt Maximum.

The transformer has 136mm fixing centres.

	WIRE Length	WIRE Size
	A-B = 0.3M Max.	Fitted
	A-B = 0.2M Max. B-C = 1.5M Max.	Fitted 1.5mm ²
	A-B = 0.2M Max. B-C = 1.5M Max.	Fitted 1.5mm ²

J = Junction

Technical Specification

Input	Voltage	220V-230V-240V	Isolation	4240V to EN60065	Earth Connection	None required IEC 536 Class II			
	Current	0.4AMP Maximum		Temperature		Case Rise	30C at 80VA	Case Material	Flame Retardant to UL94-VO
	Power Factor	COS Ø 0.99				Ambient	60C Maximum		
	Frequency	50-60Hz	Case	90C Maximum	EMC Emission	EN55015			
Output	Voltage	11.8V RMS Nominal	Weight	180g	EMC Immunity	EN50082-1			
	Current	7.0Amp Maximum		Protection		Short Circuit	Auto-Reset	Harmonics	EN61000-3-2
	Power Factor	20-80VA				Overload	Auto-Reset		
	Frequency	40 KHz	Thermal	Auto-Regulating	Safety	EN61046			
	Cable	1mm2 x 0.3M	Fusing	Primary		Fusible P.C.B. Link			
Efficiency		96% (typical)		Secondary	None required				
Regulation		2.8% 400mv with 100mm Output Leads							

Suitable for use indoors

Geeignet für Innenanwendung
Pour un usage interne
 Adecuada para uso en interiores
Geschiedt voor gebruik binnen
 Lämpelig för inomhusbruk



Replace any cracked protective shield.

Dieses symbol bedeutet, dass defekte Schutzgläser sofort ersetzt werden müssen.

Ce symbole indique que vous devez remplacer tout verre de protection fêlé.

Este símbolo indica que hay que 'reemplazar filtros en caso de rotura o desperfectos'.

Dette symbolet indikerer at alle ødelagte (sprukne) sikkerhetsglass må skiftes.

Valaisinta ei saa käyttää ilman suojalasiasa vioitunut suojalasi on vaihdettava uuteen ennen valaisimen käyttöön ottoa.

< Millimetres >



This Electrical Product
MUST be recycled.



03.08

Concord

Avis Way Newhaven East Sussex BN9 0ED
 T 0870 606 2030 F 01273 512 688 email: information@concordmarlin.com

