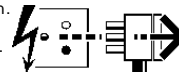
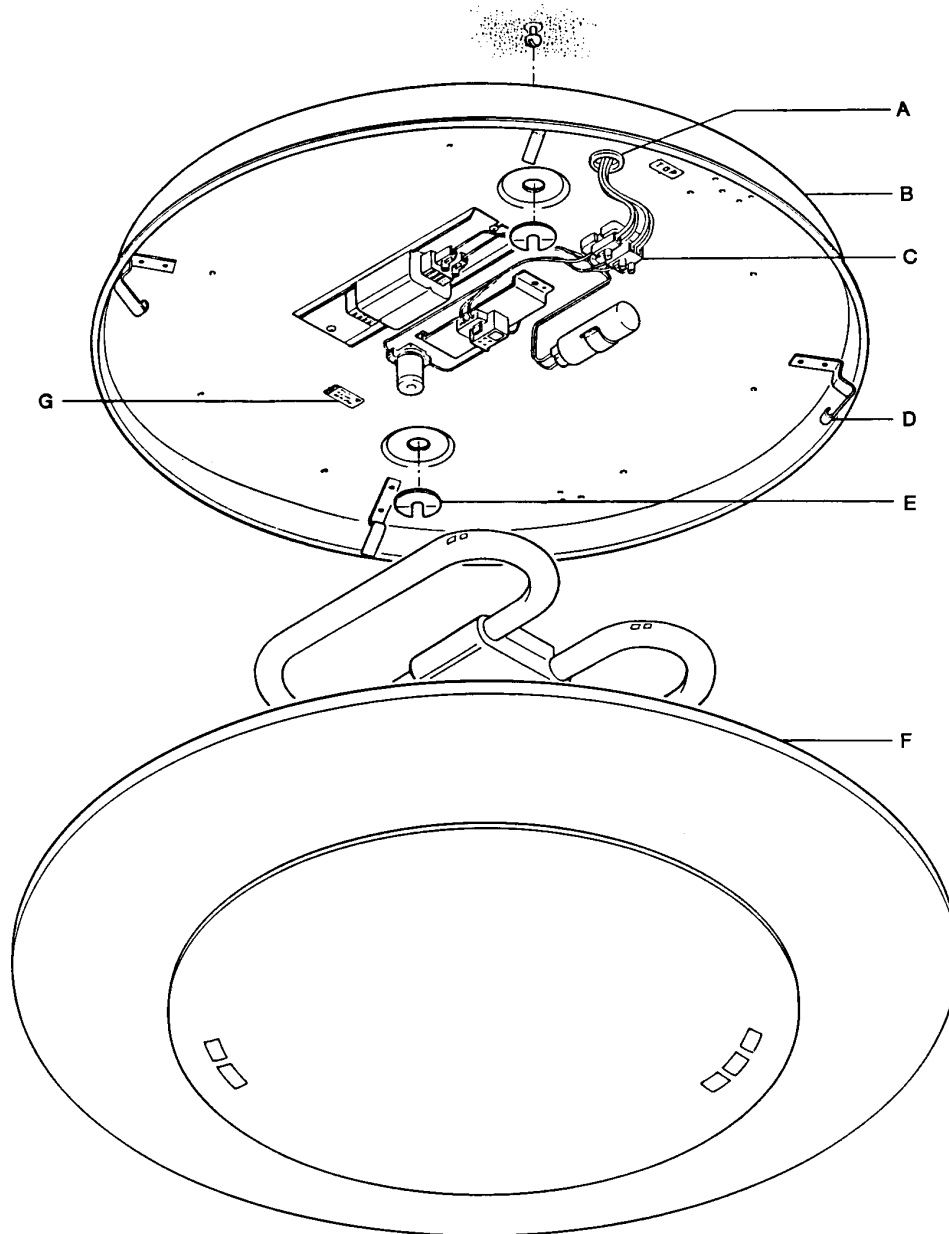


Disconnect from mains supply before replacing the fuse or the lamp.
Vor dem Einsetzen der Sicherung oder der Lampe Spannungsfreiheit herstellen.
Débrancher le secteur avant de remplacer le fusible ou l'ampoule.
Desconectar del suministro de la red, antes de realizar la sustitución del fusible o de la lámpara.
Voor het vervangen van lamp of zekering, eerst netspanning uitschakelen.
Koppla bort spänningen före byte av en säkring eller en lampa.



Switch Off
Abschalten
Débrancher
Desconectar
Uitschakelen
Stäng av



This luminaire is suitable for interior wall or ceiling mounting.

Installation should be carried out by a suitably qualified person in accordance with good electrical practice and the appropriate national wiring regulations.

Switch off mains electrical supply before commencing installation.

INSTALLATION PROCEDURE

Check that mains electrical supply conforms with rating marked on label (G).

Prepare suitable fixings in mounting surface at 210mm centres and partially screw in suitable round headed screws.

NOTE: Gallery (B) is marked TOP if wall mounting.

Pass mains supply leads and loop in/out leads (if applicable) through grommet (A) into gallery (B).

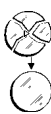
Locate gallery mains mounting holes over fixing screw heads, insert slip washers (E) under screw heads and tighten screws.

Connect mains supply leads in respectively marked terminals in terminal block (C).

Fit appropriate lamp as indicated on label (G) by pushing it firmly in lampholder.

Push diffuser/trim assembly (F) on retaining clips (D).

WARNING: THIS LUMINAIRE MUST BE EARTHED



Replace any cracked protective shield.

Dieses symbol bedeutet, dass defekte Schutzgläser sofort ersetzt werden müssen.

Ce symbole indique que vous devez remplacer tout verre de protection fêlé.

Este símbolo indica que hay que reemplazar filtros en caso de rotura o desperfectos.

Dette symbolet indikerer at alle ødelagte (sprukne) sikkerhetglass må skiftes.

Valaisinta ei saa käyttää ilman suojalasia vioitunut suojalasi on vaihdettava uuteen ennen valaisimen käyttöön ottoa.

Suitable for use indoors
Geeignet für Innenanwendung
Pour un usage interne
Adecuada para uso en interiores
Geschikt voor gebruik binnen
Lämplig för inomhusbruk



This Electrical Product
MUST be recycled.



< Millimetres >

Concord:marlin

Avis Way Newhaven East Sussex BN9 0ED
T 0870 606 2030 F 01273 512 688 email: information@concordmarlin.com



© Concord Lighting Ltd.