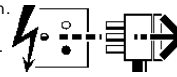
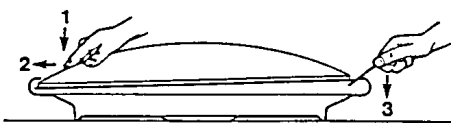
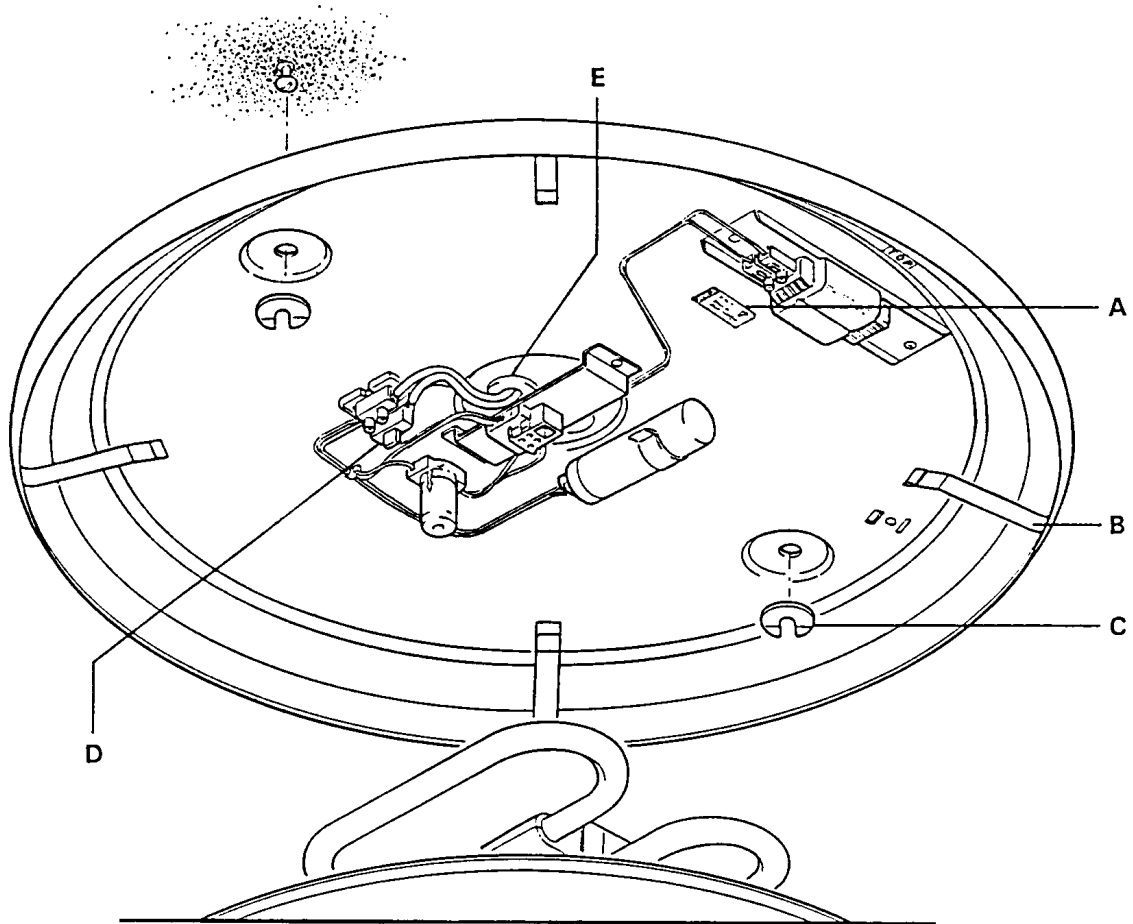


Disconnect from mains supply before replacing the fuse or the lamp.
Vor dem Einsetzen der Sicherung oder der Lampe Spannungsfreiheit herstellen.
Débrancher le secteur avant de remplacer le fusible ou l'ampoule.
Desconectar del suministro de la red, antes de realizar la sustitución del fusible o de la lámpara.
Voor het vervangen van lamp of zekering, eerst netspanning uitschakelen.
Koppla bort spänningen före byte av en säkring eller en lampa.

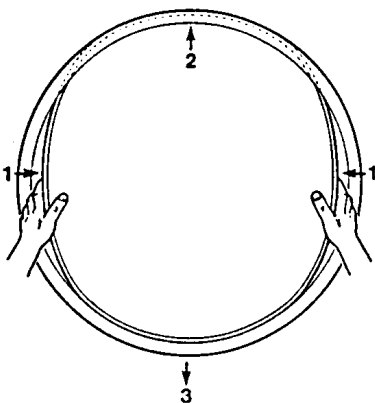


Switch Off
Abschalten
Débrancher
Desconectar
Uitschakelen
Stäng av

1594 T384



REMOVING DIFFUSER
1 PRESS DOWN 2 PUSH TO SIDE 3 LEVER OUT



FITTING DIFFUSER
1 FLEX IN 2 INSERT UNDER RIM 3 CENTRAUSE

This luminaire is suitable for interior wall or ceiling mounting and can be semi-recessed using Recessing Kit 1594ORK.

Installation should be carried out by a suitably qualified person in accordance with good electrical practice and the appropriate national wiring regulations.

Switch off mains electrical supply before commencing installation.

INSTALLATION PROCEDURE

Carefully remove diffuser as shown in diagram.

Check rating marked on label (A) conforms with mains electrical supply.

Fit supplied grommets (E) in gallery.

Prepare suitable fixings in mounting surface at 350mm centres. **NOTE:** Gallery is marked TOP if wall mounting.

Partially screw suitable round headed screws in fixings.

Pass mains supply leads through grommet.

Position gallery fixing holes over fixing screw heads, insert slip washers (C) under screw heads and tighten screws.

Cover line and neutral mains supply leads with supplied silicone sleeving and connect supply leads and earth lead in respectively marked terminals in 1A fused terminal block (D).

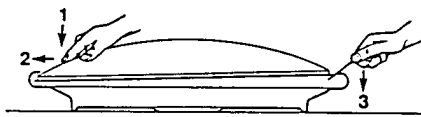
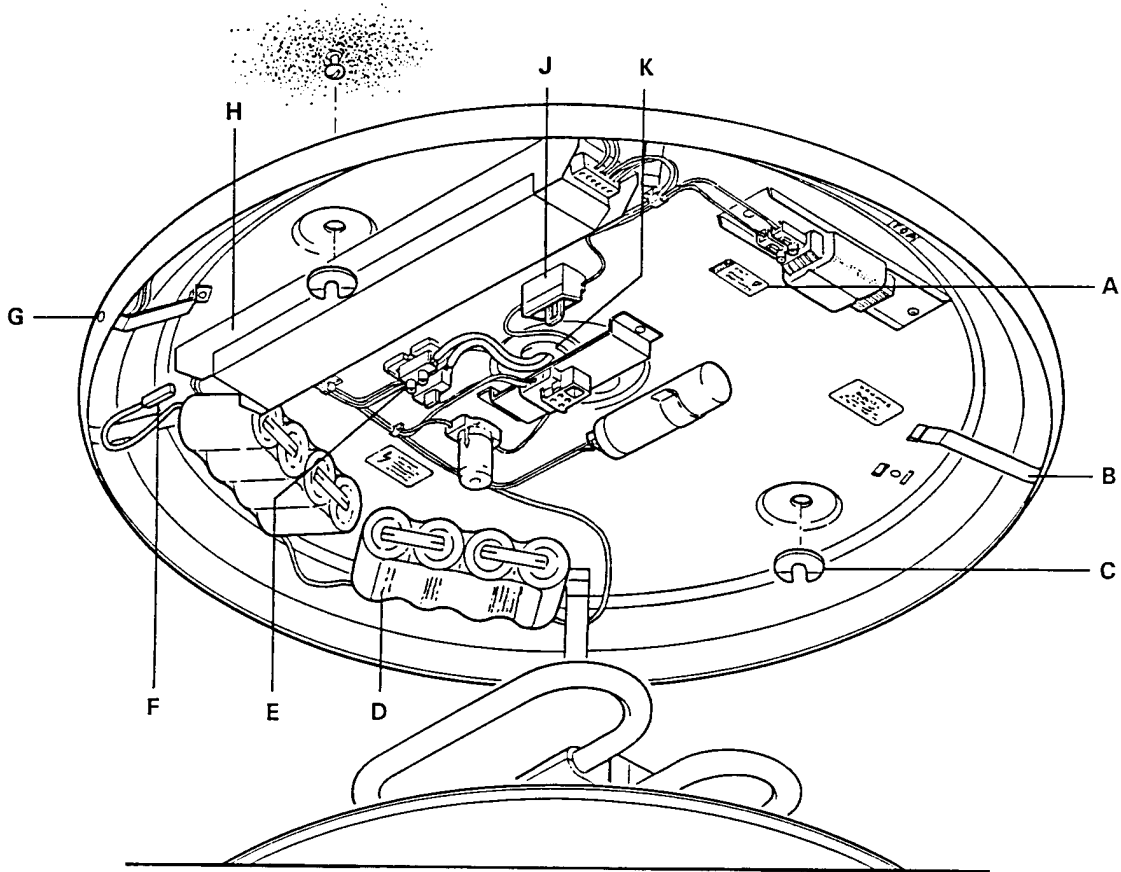
Fit appropriate lamp as indicated on label (A) by pushing it firmly in lampholder.

Fit diffuser in gallery rim as shown in diagram ensuring it is held concentrically by retaining clips (B).

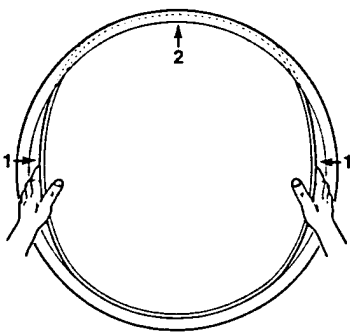
WARNING: LUMINAIRE MUST BE EARTHED

NOTE: THIS LUMINAIRE SHOULD BE CLEANED BY USING WARM SOAPY WATER AND A SOFT CLOTH - ENSURE LUMINAIRE IS SWITCHED OFF DURING CLEANING

DISPOSE OF LAMPS IN ACCORDANCE WITH LAMP MANUFACTURER'S INSTRUCTIONS



REMOVING DIFFUSER
1 PRESS DOWN 2 PUSH TO SIDE 3 LEVER OUT



FITTING DIFFUSER
1 FLEX IN 2 INSERT UNDER RIM 3 CENTRALISE

This luminaire which is suitable for interior wall or ceiling mounting and can be semi-recessed using Recessing Kit 1594ORK, has been designed for maintained emergency operation with a duration of 3 hours.

Installation should be carried out by a suitably qualified person in accordance with good electrical practice and the appropriate national wiring regulations.

Switch off mains electrical supply before commencing installation.

INSTALLATION PROCEDURE

Carefully remove diffuser as shown in diagram.

Check rating marked on label (A) conforms with mains electrical supply.

Fit supplied grommets (K) in gallery.

Prepare suitable fixings in mounting surface at 350mm centres. **NOTE:** Gallery is marked TOP if wall mounting.

Partially screw suitable round headed screws in fixings.

Pass mains supply leads through grommet.

Position gallery fixing holes over fixing screw heads, insert slip washers (C) under screw heads and tighten screws.

Cover line and neutral mains supply leads with supplied silicone sleeving and connect supply leads and earth lead in respectively marked terminals in 1A fused terminal block (E).

Enter commissioning date on battery pack label (D).

Connect unswitched line supply in 1A fused terminal block (J).

Connect black lead (F) from battery pack to TERMINAL 14 on module (H).

Fit appropriate lamp as indicated on label (A) by pushing it firmly in lampholder.

Fit diffuser in gallery rim as shown in diagram ensuring it is held concentrically by retaining clips (B).

TESTING

Switch on mains supply and check that charge indicator lamp (G) is on.


Leave luminaire on continuous charge for 24 hours.

Simulate mains failure, and check that lamp operates for 3 hours. If full duration of 3 hours is not achieved, repeat charge/discharge cycle as battery packs may have discharged in stock and will require conditioning.

WARNING: LUMINAIRE MUST BE EARTHED

WARNING: DO NOT INSULATION TEST

NOTE: THIS LUMINAIRE SHOULD BE CLEANED BY USING WARM SOAPY WATER AND A SOFT CLOTH - ENSURE LUMINAIRE IS SWITCHED OFF DURING CLEANING

 **Replace any cracked protective shield.**
Dieses symbol bedeutet, dass defekte schutzgläser sofort ersetzt werden müssen.
Ce symbole indique que vous devez remplacer tout verre de protection fêlé.
Este simbolo indica que hay que 'reemplazar filtros en caso de rotura o desperfectos'.
Dette symbolet indikerer at alle ødelagte (sprukne) sikkerhetglass må skiftes.
Valaisinta el saa käyttää ilman suojalasia vioittunut suojalasi on vaihdettava uuteen ennen valaisimen käyttöön ottoa.

Suitable for use indoors
Geeignet für Innenanwendung
Pour un usage interne
Adecuada para uso en interiores
Geschikt voor gebruik binnen
Lämplig för inomhusbruk

< Millimetres >

