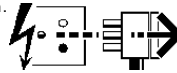


Disconnect from mains supply before replacing the fuse or the lamp.
 Vor dem Einsetzen der Sicherung oder der Lampe Spannungsfreiheit herstellen.
Débrancher le secteur avant de remplacer le fusible ou l'ampoule.
 Desconectar del suministro de la red, antes de realizar la sustitución del fusible o de la lámpara.
Voor het vervangen van lamp of zekering, eerst netspanning uitschakelen.
 Koppla bort spänningen före byte av en säkring eller en lampa.



Switch Off
 Abschalten
Débrancher
 Desconectar
Uitschakelen
 Stäng av

Remove fixing screws (A) and washers (B).

Lift out gear assembly (D).

NOTE: It may be necessary to disconnect cable leads (C) from terminal block to allow gear assembly to be fully withdrawn to gain access to wattage tapping connections.

Check lamp wattage tapping lead (E) is connected to correct wattage terminal of choke.

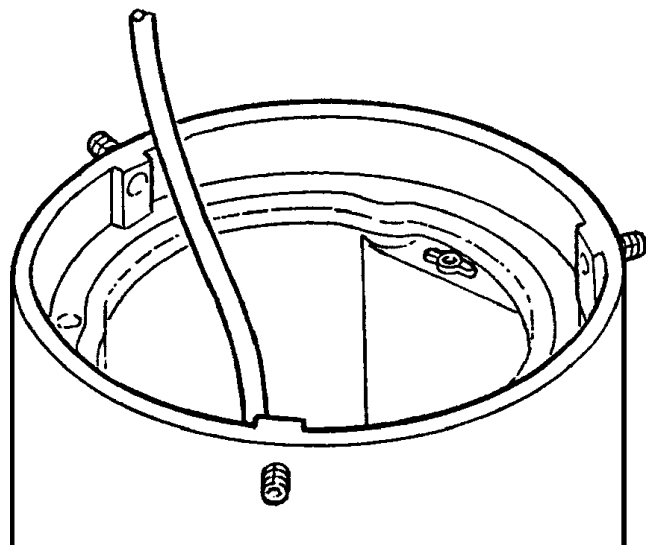
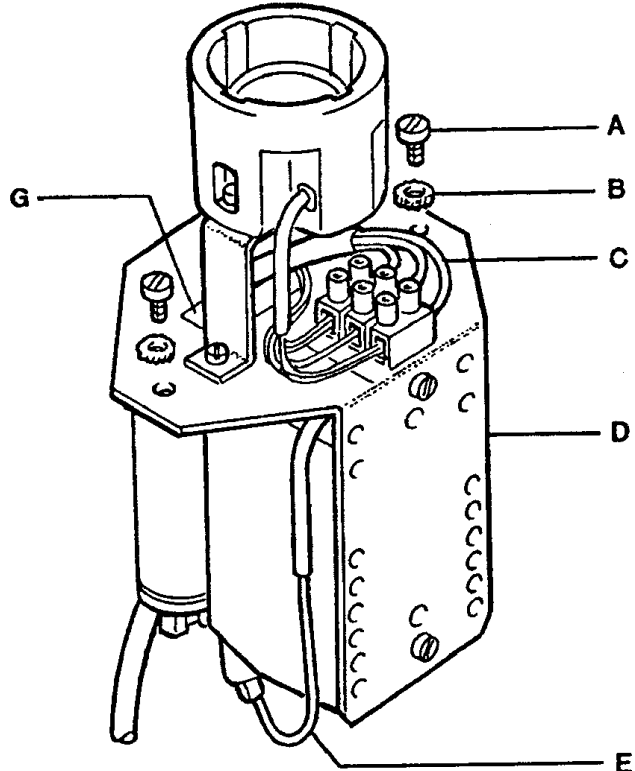
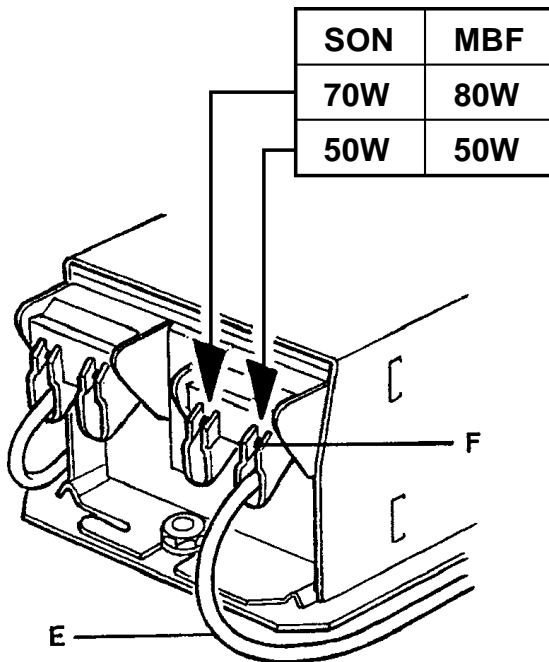
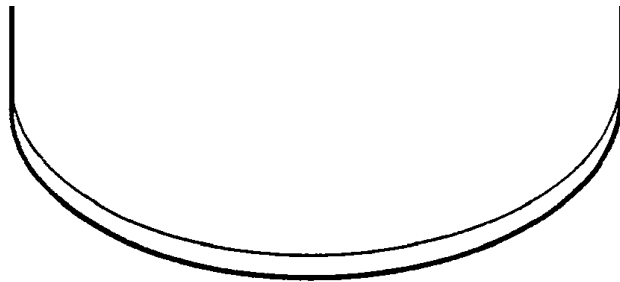
Removing Wattage Tapping Lead.

Insert a 1mm diameter steel probe (i.e. watchmakers screwdriver, paper clip) in terminal hole (F). Push probe in and pull lead out of terminal and remove probe.

Replacing Wattage Tapping Lead.

Insert probe in terminal hole (F). Push probe in, insert lead and remove probe.

NOTE: When tapping lead has been connected to required terminal, delete appropriate wattage rating on label (G).



Suitable for use indoors
 Geeignet für Innenanwendung
 Pour un usage interne
 Adecuada para uso en interiores
 Geschikt voor gebruik binnen
 Lämplig för inomhusbruk



Replace any cracked protective shield.

Dieses symbol bedeutet, dass defekte Schutzgläser sofort ersetzt werden müssen.

Ce symbole indique que vous devez remplacer tout verre de protection fêlé.

Este símbolo indica que hay que 'reemplazar filtros en caso de rotura o desperfectos'.

Dette symbolet indikerer at alle ødelagte (sprukne) sikkerhetglass må skiftes.

Valaisinta el saa käyttää ilman suojalasias vioitunut suojalasi on vaihdettava uuteen ennen valaisimen käyttöön ottoa.

< Millimetres >



This Electrical Product
MUST be recycled.



03.08