

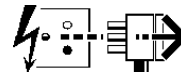
Opaline 2000 Emergency

Installation Instructions **IS500** **F** **⊕** This Product **MUST** be EARTHED

IS5200A

4037169 4037177 4037388 4037396 4037398
 4059888 4059890 4059892 4059911 4059913
 4059915 4062693 4062822 4062838 4139461
 4142860 4143595 4148625 4148626 4148642
 4161601 4163711 4164629 4165089 4037217
 4037410 4059935 4059937 4059939 4062845
 4143609 4144165 4158320 4161358 4140530
 4140962 4142206 4143583

Disconnect from mains supply before replacing the fuse or the lamp.
 Vor dem Einsetzen der Sicherung oder der Lampe Spannungsfreiheit herstellen.
Débrancher le secteur avant de remplacer le fusible ou l'ampoule.
 Desconectar del suministro de la red, antes de realizar la sustitución del fusible o de la lámpara.
Voor het vervangen van lamp of zekering, eerst netspanning uitschakelen.
 Koppla bort spänningen före byte av en säkring eller en lampa.



Switch Off
 Abschalten
Débrancher
 Desconectar
Uitschakelen
 Stäng av

This luminaire is designed for maintained emergency operation with a duration of 3 hours, is suitable for interior wall or ceiling mounting and can be semi-recessed using a Recessing Kit.

Installation should be carried out by a suitably qualified person in accordance with good electrical practice and the appropriate national wiring regulations.

Switch off mains electrical supply before commencing installation.

Installation Procedures

Carefully remove diffuser (J) from gallery (B) as shown.

Check rating marked on label (D) conforms with mains electrical supply.

E Prepare suitable fixings in mounting surface at 210mm centres for 2055 series and 310mm for 2054/2046 series.

Enter supply connection date on battery pack label (A).

F Fit supplied grommets (C) in gallery, and pass mains supply leads and Unswitched live mains supply lead through grommets.

G Locate gallery mounting holes over fixing screw heads. Insert slip washers (E) under screw heads and tighten screws.

H NOTE: Gallery is marked 'TOP' for wall mounting.

Cover mains supply leads with supplied sleeving and connect leads in respective terminals in terminal block (L).

Cover Unswitched live mains supply lead with supplied sleeving and connect lead in respective terminal in terminal block.

Fit lamp into lampholder.

Connect battery plug into module socket (G).

Fit diffuser (J) in gallery as shown, ensuring it is held concentrically by retaining clips (F).

Testing

Switch on mains supply and check that charge indicator lamp (K) is on.

Leave luminaire on continuous charge for 24 hours.

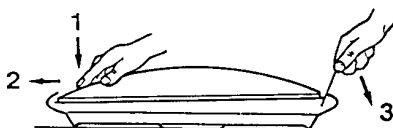
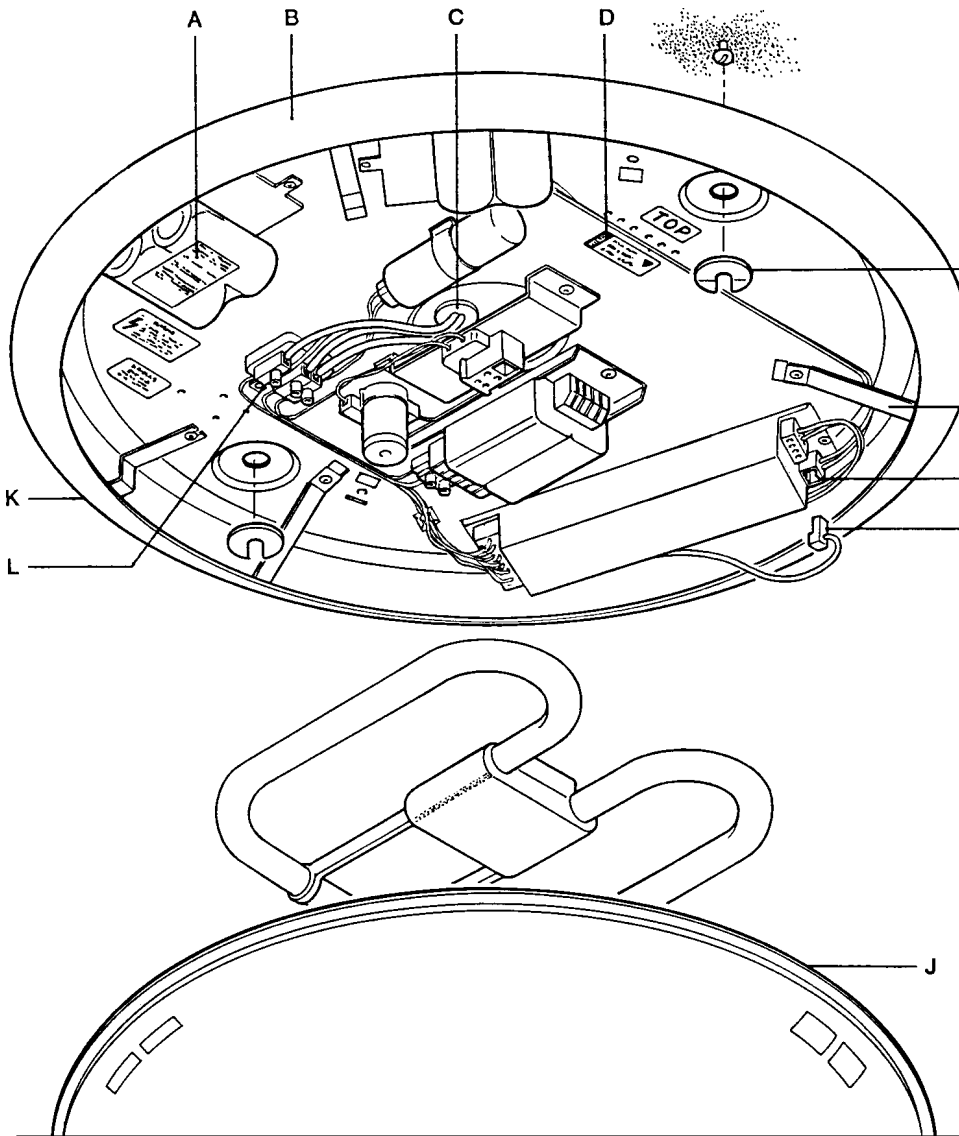
Simulate mains supply failure, and check that lamp operates for 3 hours. If full duration of 3 hours is not achieved repeat charge/discharge cycle as battery packs may have discharged in stock and will require conditioning.

WARNING: This luminaire must be earthed.

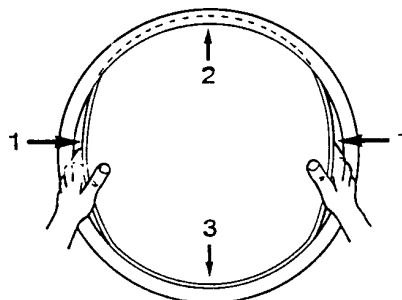
WARNING: Do not insulation test.

WARNING: Do not switch off luminaire after installation, as unswitched supply must be maintained.

If interruption to the supply is unavoidable, the batteries must be disconnected or damage may result.



Removing Diffuser
 1. Press down 2. Push to one side 3. Lever out



Fitting Diffuser
 1. Flex in 2. Insert under rim 3. Centralise

Routine Maintenance

Routine maintenance must be carried out in compliance with the requirements of BS5266:Part 1 - Emergency Lighting of Premises.

The following tests assume a three-hour system.

- Daily:**
1. Check that any recorded faults have been rectified.
 2. Check that the maintained emergency lamp is operative.
 3. Check that the charge indicator light is illuminated.
- Monthly:**
(Functional)
1. Simulate a mains failure and check that the emergency lamp illuminates and remains on for several minutes.
 2. After reverting back to mains supply check the charge indicator light is illuminated.
- Six Monthly:**
(1 Hour)
1. Simulate a mains failure and check that the emergency lamp illuminates and remains on for one hour.
 2. After reverting back to mains supply check the charge indicator light is illuminated.
 3. On restoring the mains supply the unit will require approximately 24 hours to recharge before becoming fully operational.
- Three Years:**
(3 Hours)
1. Simulate a mains failure and check that the emergency lamp illuminates and remains on for at least 3 hours.
 2. After reverting back to mains supply check the charge indicator light is illuminated.
 3. On restoring the mains supply the unit will require approximately 24 hours to recharge before becoming fully operational.

It is recommended that the battery packs and lamps are replaced every 4 years or sooner if the units performance fails to meet the above requirements. To maintain optimum unit performance, only approved replacement battery packs and lamps must be used.

All routine maintenance checks must be recorded on the unit Routine Test Record and must be made available for inspection at all times.

Installation and Commissioning Record

Luminaire Model Ref:

Location:

Installed By:

Date:

Commissioned by:

Date:

(Full Charge and Discharge Cycle)

Routine Test Record

Monthly Test	First Year		Second Year		Third Year		Forth Year		Fifth Year	
	Signed	Dated	Signed	Dated	Signed	Dated	Signed	Dated	Signed	Dated
Functional										
Functional										
Functional										
Functional										
Functional										
1 Hour Duration										
Functional										
Functional										
Functional										
Functional										
Functional										
1 Hour Duration										
3 Hour Duration										

Suitable for use indoors

Geeignet für Innenanwendung

Pour un usage interne

Adecuada para uso en interiores

Geschikt voor gebruik binnen

Lämplig för inomhusbruk



Replace any cracked protective shield.

Dieses symbol bedeutet, dass defekte Schutzgläser sofort ersetzt werden müssen.

Ce symbol indique que vous devez remplacer tout verre de protection fêlé.

Este simbolo indica que hay que reemplazar filtros en caso de rotura o desperfectos.

Dette symbolet indikerer at alle ødelagte (sprukne) sikkerhetsglass må skiftes.

Valaisinta el saa käyttää ilman suojalasia vioittunut suojalasi on vaihdettava uuteen ennen valaisimen käyttöön ottoa.



< Millimetres >



This Electrical Product
MUST be recycled.



01.08

Concord

Avis Way Newhaven East Sussex BN9 0ED
T 0870 606 2030 F 01273 512 688 email: information@concordmarlin.com



© Concord Lighting Ltd.