

Opaline 2000 - Nightlight

Installation Instructions
IS500

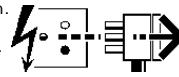


This Product
MUST be EARTHED

IS5206

4037421 4037422 4041744 4060631 4060634
4062367 4062734 4062835 4062851 4148598
4148610 4156901 4166739

Disconnect from mains supply before replacing the fuse or the lamp.
Vor dem Einsetzen der Sicherung oder der Lampe Spannungsfreiheit herstellen.
Débrancher le secteur avant de remplacer le fusible ou l'ampoule.
Desconectar del suministro de la red, antes de realizar la sustitución del fusible o de la lámpara.
Voor het vervangen van lamp of zekering, eerst netspanning uitschakelen.
Koppla bort spänningen före byte av en säkring eller en lampa.



Switch Off
Abschalten
Débrancher
Desconectar
Uitschakelen
Stäng av

This luminaire is suitable for interior wall or ceiling mounting and can be semi-recessed using Recessing Kit - 4037857.

Installation should be carried out by a suitably qualified person in accordance with good electrical practice and the appropriate national wiring regulations.

Switch of mains electrical supply before commencing installation.

Installation Procedure

Remove diffuser (E) as shown in diagram.

Check rating marked on label (C) conforms with mains electrical supply.

Prepare suitable fixings in mounting surface at 310mm centres and partially screw in suitable round headed screws.
NOTE: Gallery is marked 'TOP' if wall mounted.

Fit supplied grommets (G) in gallery (A).

Pass mains supply leads and auxiliary lamp leads through grommets (D).

Locate gallery (A) over fixings screws, insert slip washers (F) under screw heads and tighten screws.

Cover live and neutral mains supply leads and auxiliary lamp leads with supplied silicone sleeving (H).

Connect leads in respectively marked terminals in terminal blocks (B).

Fit appropriate lamps as indicated on label (C).

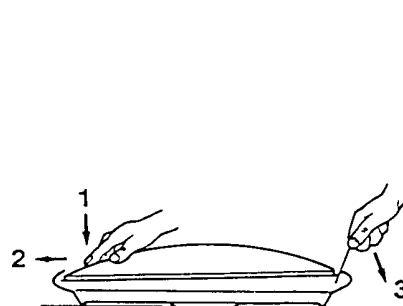
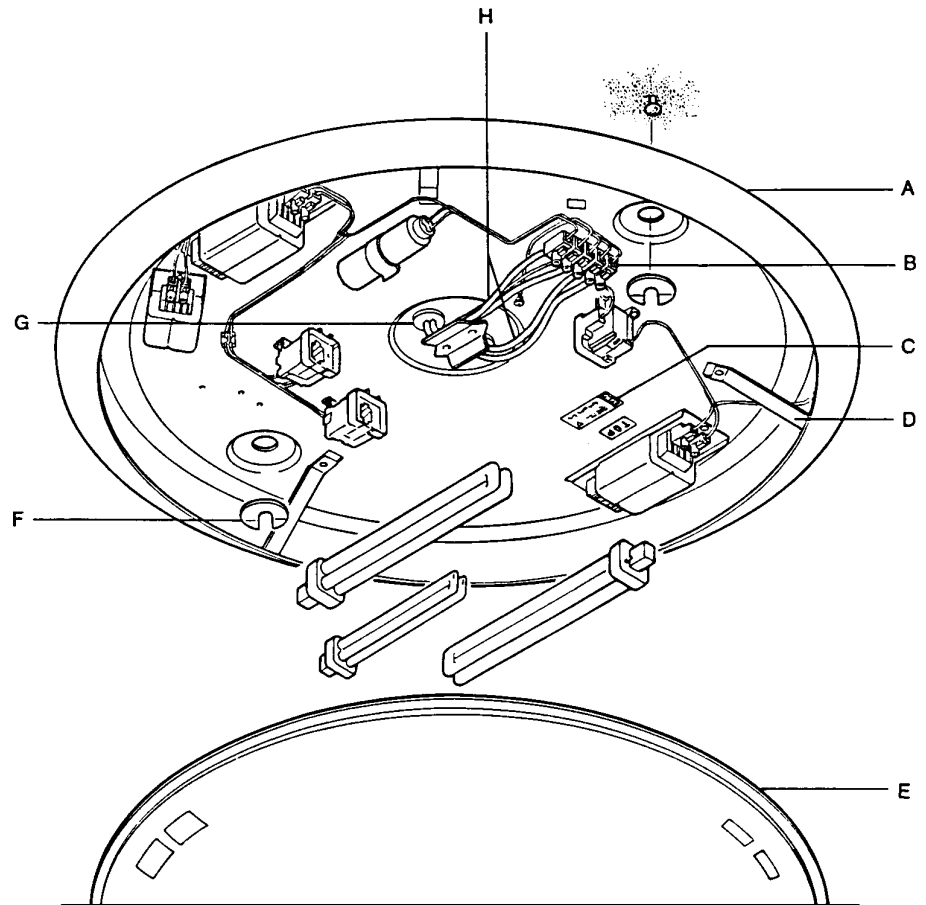
Fit diffuser (K) as shown in diagram ensuring that diffuser is held concentrically by clips (D).

WARNING: Luminaire must be earthed.

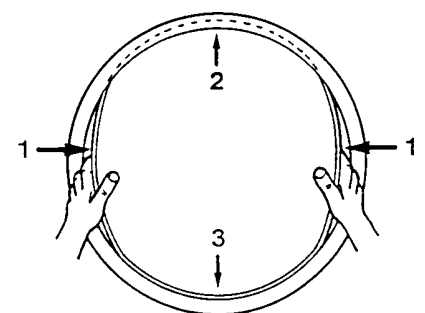
WARNING: Auxiliary lamp should not be energised when main lamps are ON.

NOTE: This luminaire should be cleaned with warm soapy water and a soft cloth. Ensure luminaire is switched off during cleaning.

Dispose of lamps in accordance with manufacturer's instructions.



Removing Diffuser
1. Press down 2. Push to one side 3. Lever out



Fitting Diffuser
1. Flex in 2. Insert under rim 3. Centralise

Suitable for use indoors

Geeignet für Innenanwendung

Pour un usage interne

Adecuada para uso en interiores

Geschikt voor gebruik binnen

Lämplig för inomhusbruk



Replace any cracked protective shield.

Dieses symbol bedeutet, dass defekte Schutzgläser sofort ersetzt werden müssen.

Ce symbole indique que vous devez remplacer tout verre de protection fêlé.

Este símbolo indica que hay que reemplazar filtros en caso de rotura o desperfectos.

Dette symbolet indikerer at alle ødelagte (sprukne) sikkerhetsglass må skiftes.

Valaisinta ei saa käyttää ilman suojalasias vioittunut suojalasi on vaihdettava uuteen ennen valaisimen käyttöön ottoa.

< Millimetres >



This Electrical Product
MUST be recycled.



03.08

Concord

Avis Way Newhaven East Sussex BN9 0ED
T 0870 606 2030 F 01273 512 688 email: information@concordmarlin.com



© Concord Lighting Ltd.