

# Diax Downlight

Installation Instructions  
IS500

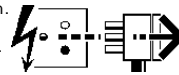


This Product  
MUST be EARTHED

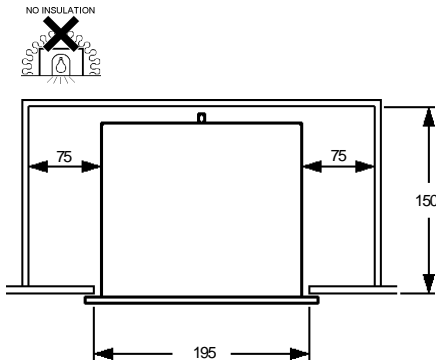
## IS5209

DAN 4100HR3 (Do not insulation test)  
DAN 4100H

**Disconnect from mains supply before replacing the fuse or the lamp.**  
Vor dem Einsetzen der Sicherung oder der Lampe Spannungsfreiheit herstellen.  
**Débrancher le secteur avant de remplacer le fusible ou l'ampoule.**  
Desconectar del suministro de la red, antes de realizar la sustitución del fusible o de la lámpara.  
**Voor het vervangen van lamp of zekering, eerst netspanning uitschakelen.**  
Koppla bort spänningen före byte av en säkring eller en lampa.



**Switch Off**  
Abschalten  
**Débrancher**  
Desconectar  
**Uitschakelen**  
Stäng av



This luminaire which is suitable for interior ceiling mounting requires a 195mm diameter aperture, a recess depth of 150mm and 75mm clearance between housing and recessed enclosure.

DAN 4100HR3 - When used in conjunction with a Concord remote box provides emergency lighting for a duration of 3 hours.

Installation should be carried out by a suitably qualified person in accordance with good electrical practice and the appropriate national wiring regulations.

Switch of mains electrical supply before commencing installation.

### Installation Procedure

Prepare ceiling aperture (refer to diagram for DAN 4100HR3).

Rotate the quarter turn fastener (F) 90 degrees to release reflector (G) from housing (J).

Remove mounting clips (H) from housing as shown in Fig. 1.

DAN4100H:  
Connect leads of cable (A) to remote gear box (refer to IS5218).

DAN 4100HR3:  
Connect leads of black 3-core cable (A) to remote box (refer to IS5218).  
Connect leads of 2-core cable (B) to emergency control box (refer to IS4421).  
Connect leads of white LED cable (C) to remote box (refer to IS5218).

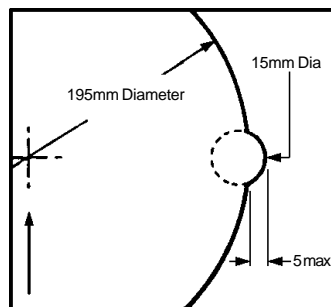
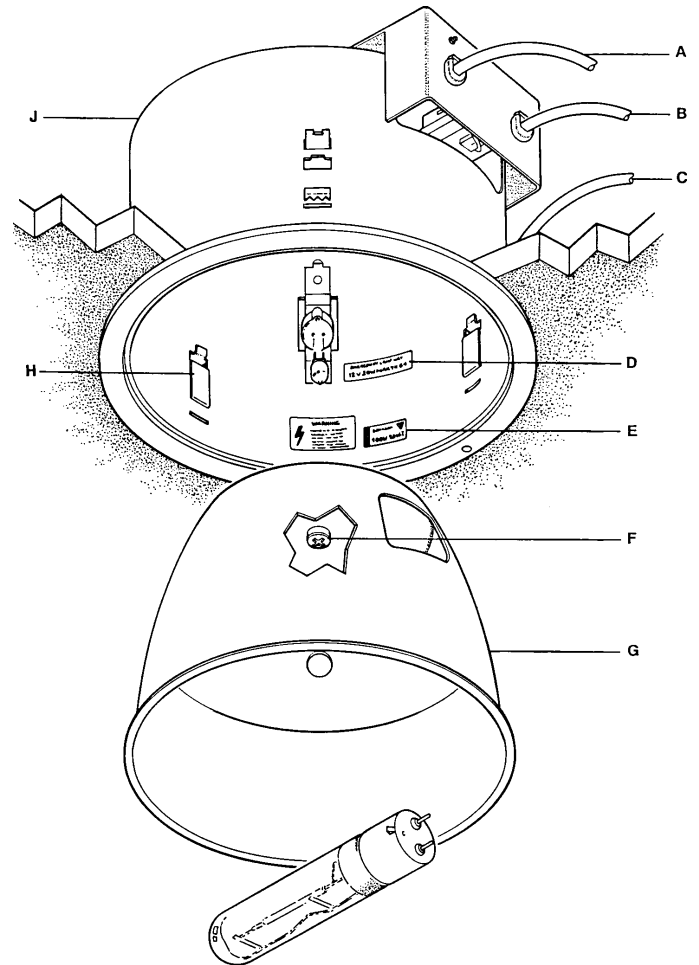
Insert housing (J) in ceiling aperture and secure in position with mounting clips (H) as shown in Fig. 2. Use top slots for 1-15mm ceilings or bottom slots for 15-25mm ceilings.

Place reflector (G) in housing and firmly push reflector fastener (F) until reflector flange locates on housing.

NOTE: An audible 'click' should be heard or felt when the fastener is fully engaged.

DAN 4100H: Fit appropriate lamp as indicated on label (E).

DAN 4100HR3: Fit appropriate lamps as indicated on labels (D&E).



DAN 4100HR3 Only:  
Clearance slot in aperture for LED assembly.

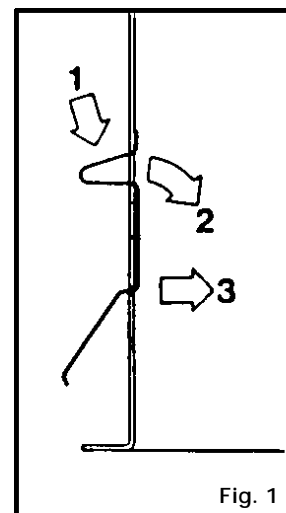


Fig. 1

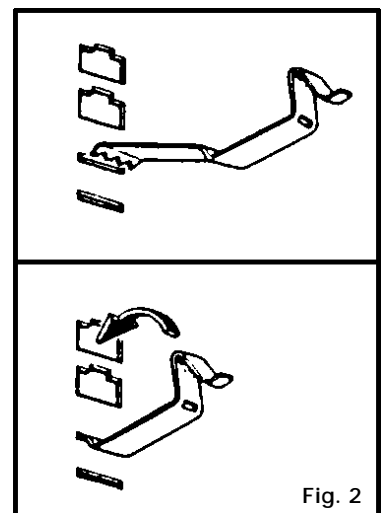


Fig. 2

Suitable for use indoors

Geeignet für Innenanwendung

Pour un usage interne

Adecuada para uso en interiores

Geschikt voor gebruik binnen

Lämplig för inomhusbruk



**Replace any cracked protective shield.**

Dieses symbol bedeutet, dass defekte Schutzgläser sofort ersetzt werden müssen.

**Ce symbole indique que vous devez remplacer tout verre de protection fêlé.**

Este símbolo indica que hay que reemplazar filtros en caso de rotura o desperfectos.

**Dette symbolet indikerer at alle ødelagte (sprukne) sikkerhetglass må skiftes.**

Valaisinta ei saa käyttää ilman suojalasia vioitunut suojalasi on vaihdettava uuteen ennen valaisimen käyttöön ottoa.

< Millimetres >



This Electrical Product  
MUST be recycled.



03.08

# Concord

Avis Way Newhaven East Sussex BN9 0ED  
T 0870 606 2030 F 01273 512 688 email: information@concordmarlin.com

