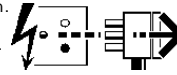


4162378 4036252 4036253 4037121 4037122  
4043616 4043617 4062896 4062897 4062910  
4062911 4142807 4142808 4147934 4147936  
4147937 4147938 4147939 4162346 4165158

**Disconnect from mains supply before replacing the fuse or the lamp.**  
Vor dem Einsetzen der Sicherung oder der Lampe Spannungsfreiheit herstellen.  
**Débrancher le secteur avant de remplacer le fusible ou l'ampoule.**  
Desconectar del suministro de la red, antes de realizar la sustitución del fusible o de la lámpara.  
**Voor het vervangen van lamp of zekering, eerst netspanning uitschakelen.**  
Koppla bort spänningen före byte av en säkring eller en lampa.



**Switch Off**  
Abschalten  
**Débrancher**  
Desconectar  
**Uitschakelen**  
Stäng av

This luminaire is suitable for interior wall or ceiling mounting.

Installation should be carried out by a suitably qualified person in accordance with good electrical practice and the appropriate national wiring regulations.

Switch off mains electrical supply before commencing installation.

#### Installation Procedures

Check that mains electrical supply conforms with rating marked on label (B).

Prepare suitable fixings in mounting surface at 275mm centres. NOTE: Gallery is marked 'TOP' for wall mounting.

Fit supplied grommets (A) in gallery (H) and pass mains electrical supply leads through grommet into gallery.

Secure gallery (H) to mounting surface using suitable fixing screws.

Cover mains supply leads with supplied silicone sleeving (G) and connect leads in respective terminals in terminal block (D).

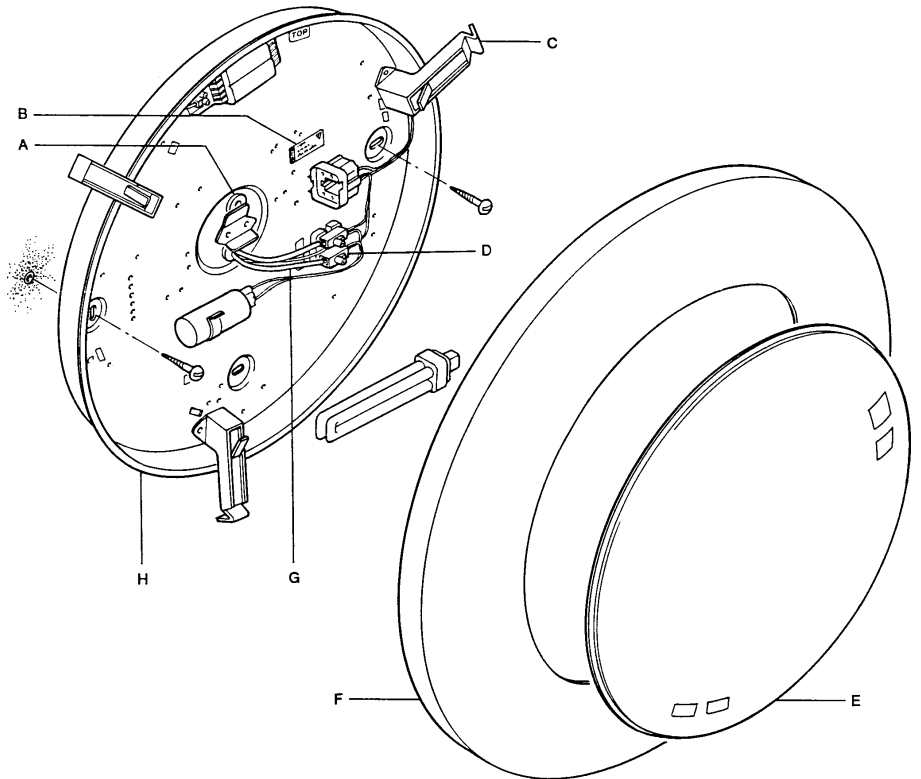
Fit appropriate lamp as indicated on label (B).

Fit trim (F) and diffuser (E) on mounting brackets (C).

**WARNING:** This luminaire must be earthed.

**NOTE:** This luminaire should be cleaned using warm soapy water and a soft cloth. Ensure luminaire is switched off during cleaning.

Dispose of lamps in accordance with lamp manufacturer's instructions.



#### Suitable for use indoors

Geeignet für Innenanwendung

Pour un usage interne

Adecuada para uso en interiores

Geschikt voor gebruik binnen

Lämplig för inomhusbruk



#### Replace any cracked protective shield.

Dieses symbol bedeutet, dass defekte Schutzgläser sofort ersetzt werden müssen.

**Ce symbole indique que vous devez remplacer tout verre de protection fêlé.**

Este símbolo indica que hay que 'reemplazar filtros en caso de rotura o desperfectos'.

**Dette symbolet indikerer at alle ødelagte (sprukne) sikkerhetglass må skiftes.**

Valaisinta ei saa käyttää ilman suojalasiasa vioitunut suojalasi on vaihdettava uuteen ennen valaisimen käyttöön ottoa.

< Millimetres >



This Electrical Product  
MUST be recycled.



03.08

# Concord

Avis Way Newhaven East Sussex BN9 0ED  
T 0870 606 2030 F 01273 512 688 email: information@concordmarlin.com