

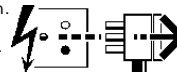
# Emergency Remote Box

Installation Instructions **IS500** **F** **⊕** This Product **MUST** be **EARTHED**

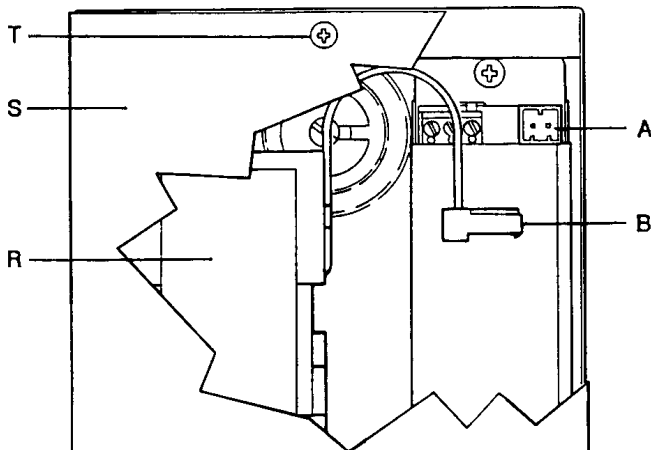
# IS5234A

4147068 4165352 4147772 4158088  
**IMPORTANT:** Wiring instructions for HF electronic ballast operation will be supplied with luminaire.

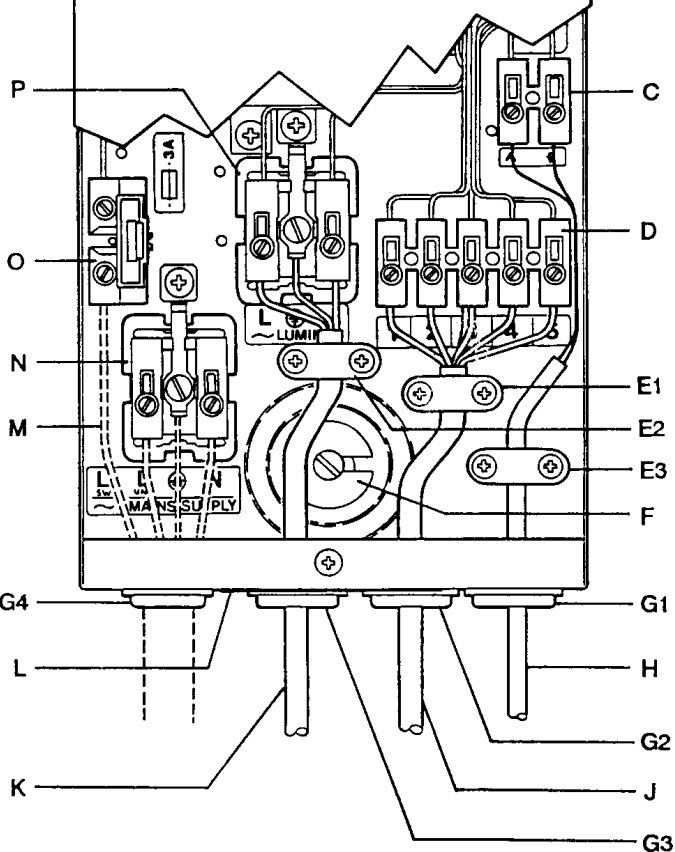
**Disconnect from mains supply before replacing the fuse or the lamp.**  
 Vor dem Einsetzen der Sicherung oder der Lampe Spannungsfreiheit herstellen.  
**Débrancher le secteur avant de remplacer le fusible ou l'ampoule.**  
 Desconectar del suministro de la red, antes de realizar la sustitución del fusible o de la lámpara.  
**Voor het vervangen van lamp of zekering, eerst netspanning uitschakelen.**  
 Koppla bort spänningen före byte av en säkring eller en lampa.



**Switch Off**  
 Abschalten  
**Débrancher**  
 Desconectar  
**Uitschakelen**  
 Stäng av



**IMPORTANT:**  
 When this product is used with Horizontally lamped DiaX Downlighter, Isoline or any other High Frequency luminaire - refer to the wiring instructions supplied with the luminaire.



This remote box has been designed for use with a Concord luminaire for maintained emergency operation with 3 hours duration.

If this box is to be used in conjunction with a non-Concord product, refer to Concord Technical services.

Installation should be carried out by a suitably qualified person in accordance with good electrical practice and the appropriate national wiring regulations.

Switch off mains electrical supply before commencing installation.

**Installation Procedure**

Determine box location adjacent to luminaire within the confines of 1000mm connection cable, or 500mm for HF.

**NOTE:** Cable must not be extended or replaced with an alternative.

58W luminaires - Cable length = 500mm Max.  
**NOTE:** Some recessed luminaires are pre-wired with 1 metre of 3-core cable, if applicable, discard 3-core cable supplied with remote box.

Loosen cover fixing screws (T) and remove cover (S).

Check that rating on label (L) conforms to mains electrical supply.

Prepare suitable fixings in mounting surface at 300mm centres and partially screw in suitable round headed screws.

Locate remote box fixing holes over screw heads, insert slip washers (F) under screw heads and tighten screws.

Pierce grommet (G3), pass 3-core cable (K) through grommet and cable clamp (E2) and connect cable leads to respectively marked terminals in terminal block (P). Tighten cable clamp screws.

Pierce grommet (G2), pass 6-core cable (J) through grommet and cable clamp (E1) and connect coloured leads to respective terminals in terminal block (D) as shown in wiring diagram. Tighten cable clamp screws.

Pierce grommet (G4) and pass mains leads through grommet.

Connect mains unswitched supply leads to respectively marked terminals in terminal block (N) and connect switched lead (M) in 3A fused terminal block (O).

**LED Options**

**LED in Cover** - Connect Orange LED plug lead to terminal A and Pink LED plug lead to terminal B in terminal block (C). Remove blanking plug from cover, fit LED and connect plug as shown in Fig. 1.

**LED Remote** - Use EMLR4 accessory.

**Integral LED Luminaires** - Pierce grommet (G1), pass LED cable (H) through grommet and cable clamp (E3). Connect Brown lead to terminal A and Blue lead to terminal B in terminal block (C). Tighten cable clamp screws.

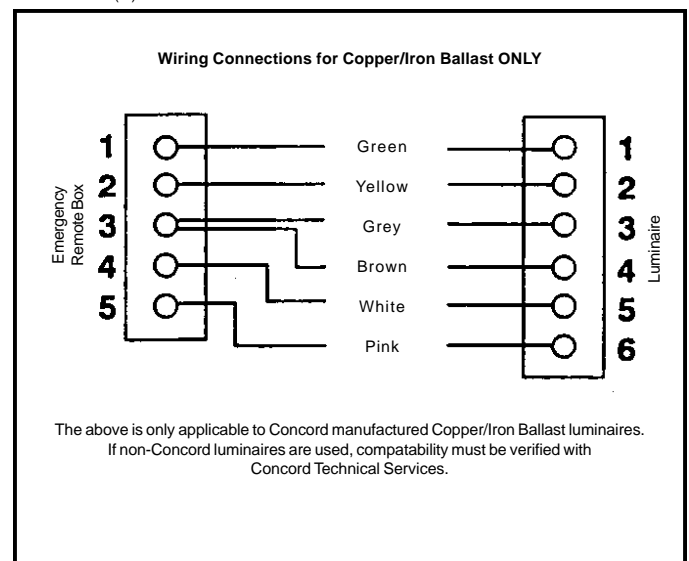
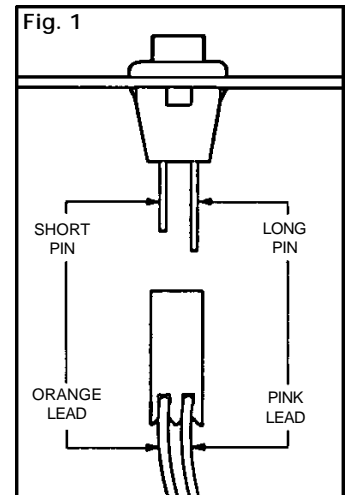
Enter installation date on battery pack label (R).

Connect battery plug (B) in module socket (A).

Fit cover (S) and tighten screws (T)

**WARNING:** Due to high starting voltage to ignite lamp, MICC cable must not be used for remote box to luminaire connection.  
**WARNING:** Do not insulation test.

**NOTE:** Any deviation from these installation instructions will invalidate guarantee and any responsibility on the part of Concord.



### Routine Maintenance

Routine maintenance must be carried out in compliance with the requirements of BS5266:Part 1 - Emergency Lighting of Premises.

The following tests assume a three-hour system.

- Daily:**
1. Check that any recorded faults have been rectified.
  2. Check that the maintained emergency lamp is operative.
  3. Check that the charge indicator light is illuminated.
- Monthly:**  
(Functional)
1. Simulate a mains failure and check that the emergency lamp illuminates and remains on for several minutes.
  2. After reverting back to mains supply check the charge indicator light is illuminated.
- Six Monthly:**  
(1 Hour)
1. Simulate a mains failure and check that the emergency lamp illuminates and remains on for one hour.
  2. After reverting back to mains supply check the charge indicator light is illuminated.
  3. On restoring the mains supply the unit will require approximately 24 hours to recharge before becoming fully operational.
- Three Years:**  
(3 Hours)
1. Simulate a mains failure and check that the emergency lamp illuminates and remains on for at least 3 hours.
  2. After reverting back to mains supply check the charge indicator light is illuminated.
  3. On restoring the mains supply the unit will require approximately 24 hours to recharge before becoming fully operational.

It is recommended that the battery packs and lamps are replaced every 4 years or sooner if the units performance fails to meet the above requirements. To maintain optimum unit performance, only approved replacement battery packs and lamps must be used.

All routine maintenance checks must be recorded on the unit Routine Test Record and must be made available for inspection at all times.

### Installation and Commissioning Record

Luminaire Model Ref: \_\_\_\_\_ Location: \_\_\_\_\_  
Installed By: \_\_\_\_\_ Date: \_\_\_\_\_  
Commissioned by: \_\_\_\_\_ Date: \_\_\_\_\_  
(Full Charge and Discharge Cycle)

### Routine Test Record

Monthly Test	First Year		Second Year		Third Year		Forth Year		Fifth Year	
	Signed	Dated	Signed	Dated	Signed	Dated	Signed	Dated	Signed	Dated
Functional										
Functional										
Functional										
Functional										
Functional										
1 Hour Duration										
Functional										
Functional										
Functional										
Functional										
Functional										
1 Hour Duration										
3 Hour Duration										

### Suitable for use indoors

Geeignet für Innenanwendung

Pour un usage interne

Adecuada para uso en interiores

Geschikt voor gebruik binnen

Lämplig för inomhusbruk



### Replace any cracked protective shield.

Dieses symbol bedeutet, dass defekte Schutzgläser sofort ersetzt werden müssen.

**Ce symbol indique que vous devez remplacer tout verre de protection fêlé.**

Este simbolo indica que hay que reemplazar filtros en caso de rotura o desperfectos.

**Dette symbolet indikerer at alle ødelagte (sprukne) sikkerhetsglass må skiftes.**

Valaisinta el saa käyttää ilman suojalasia vioittunut suojalasi on vaihdettava uuteen ennen valaisimen käyttöön ottoa.



< Millimetres >



This Electrical Product  
MUST be recycled.



01.08

# Concord

Avis Way Newhaven East Sussex BN9 0ED  
T 0870 606 2030 F 01273 512 688 email: information@concordmarlin.com

