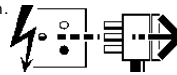
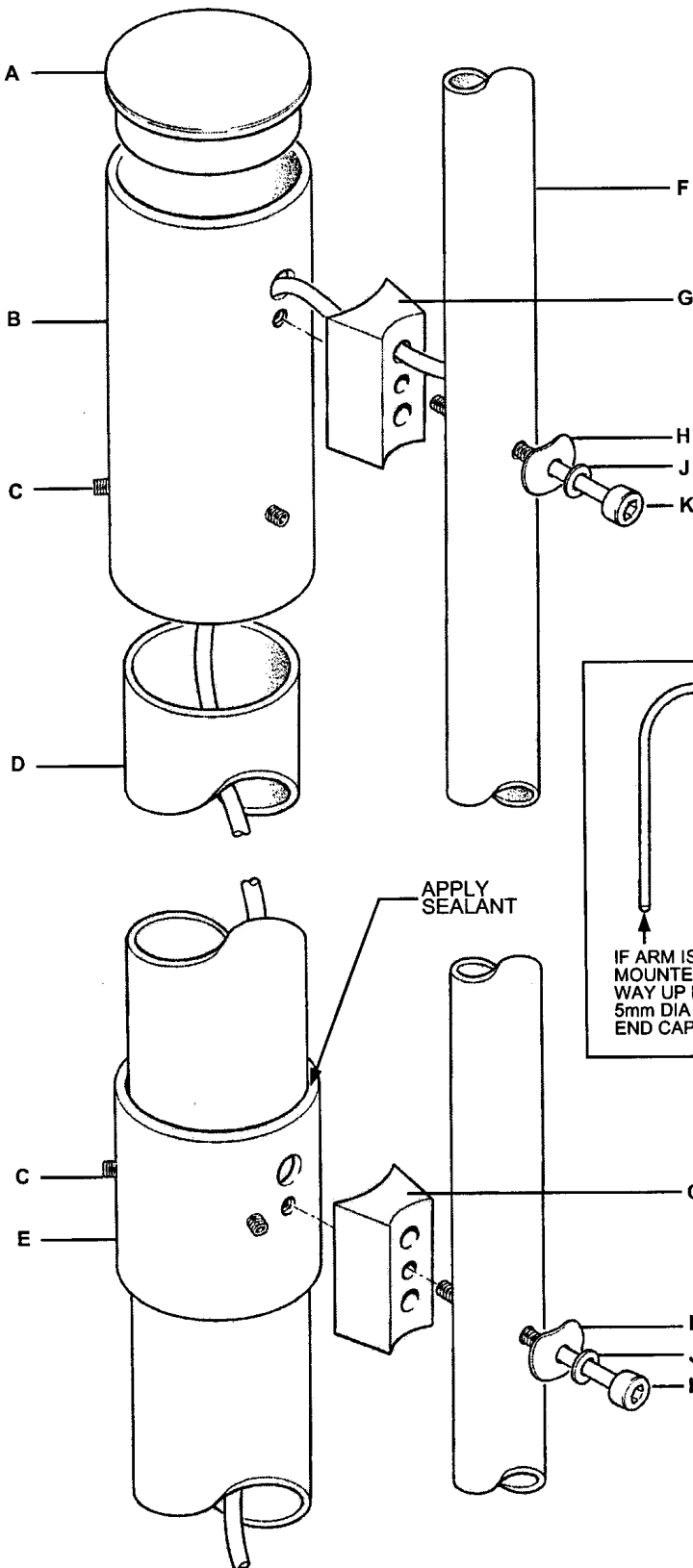


Top Bracket/ Top Spigot series
4042225 4042226 4042227 4042228
4042229 4042230 4041067 4041068

Disconnect from mains supply before replacing the fuse or the lamp.
Vor dem Einsetzen der Sicherung oder der Lampe Spannungsfreiheit herstellen.
Débrancher le secteur avant de remplacer le fusible ou l'ampoule.
Desconectar del suministro de la red, antes de realizar la sustitución del fusible o de la lámpara.
Voor het vervangen van lamp of zekering, eerst netspanning uitschakelen.
Koppla bort spänningen före byte av en säkring eller en lampa.



Switch Off
Abschalten
Débrancher
Desconectar
Uitschakelen
Stäng av



TOP BRACKET CHECKLIST

- 1 - TOP SLEEVE AND 3 SCREWS
- 1 - SHORT SLEEVE AND 3 SCREWS
- 1 - LARGE END BUNG

ITEMS PER LANTERN

- 1 - CURVED TUBULAR ARM
- 2 - SPACER BLOCKS
- 2 - M8 BOLTS
- 2 - M8 SKID WASHERS
- 2 - SADDLE WASHERS
- 1 - SMALL END BUNG
- 1 - M20 GLAND
- 1 - M20 PLAIN WASHER

Installation should be carried out by a suitably qualified person in accordance with good electrical practice and the appropriate national wiring regulations.

Switch off mains electrical supply before commencing installation.

INSTALLATION PROCEDURE

Feed supply cable (SEE NOTE 2) through arm (F) and fit lantern as described in Lantern Installation Instruction Leaflet.

Feed supply cable through spacer (G) and top sleeve (B) as shown.

Assemble arm (F) on top sleeve (B) using saddle washer (H), skid washer (J) and bolt (K).

Assemble arm on short sleeve (E) using spacer (G), saddle washer (H), skid washer (J) and bolt (K).

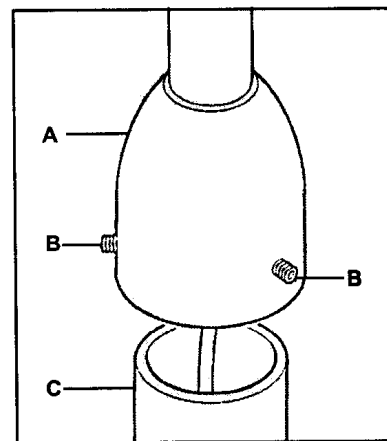
Pass supply cable down column (D) and place arm assembly over column.

Secure arm assembly in position by equally tightening locking screws (C).

Drive large end bung (A) fully home into top sleeve (B).

TOP SPIGOT CHECKLIST

- 1 - CURVED TUBULAR ARM WITH SPIGOT
- 3 - GRUB SCREWS
- 1 - M20 GLAND
- 1 - M20 PLAIN WASHER



INSTALLATION PROCEDURE

Feed supply cable (SEE NOTE 2) through arm (A) and fit lantern on arm as described in Lantern Installation Instruction Leaflet.

Pass supply cable down column (C).

Place arm over column and secure in position by equally tightening locking screws (B).

NOTES

1. APPLY WATERPROOF SILICON ADHESIVE SEALANT AROUND SLEEVE AND COLUMN JOINTS

2. OUTSIDE DIAMETER OF SUPPLY CABLE MUST BE A MAXIMUM OF 8.4mm

Suitable for use indoors
Geeignet für Innenanwendung
Pour un usage interne
Adecuada para uso en interiores
Geschikt voor gebruik binnen
Lämplig för inomhusbruk



< Millimetres >