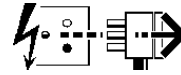


4142840 4148484 4143568 4148489 4163087  
 4163087 4164106 4043698 4043700 4151724  
 4041192 4041193 4041194 4041195 4041196  
 4041197 4051723 4051725 4062871 4062872  
 4142839 4148481 4148482 4148485 4148486  
 4151724 4157536 4158274 4158275 4163086  
 4164413 4164950 4165552 4165566

**Disconnect from mains supply before replacing the fuse or the lamp.**  
 Vor dem Einsetzen der Sicherung oder der Lampe Spannungsfreiheit herstellen.  
**Débrancher le secteur avant de remplacer le fusible ou l'ampoule.**  
 Desconectar del suministro de la red, antes de realizar la sustitución del fusible o de la lámpara.  
**Voor het vervangen van lamp of zekering, eerst netspanning uitschakelen.**  
 Koppla bort spänningen före byte av en säkring eller en lampa.



**Switch Off**  
 Abschalten  
**Débrancher**  
 Desconectar  
**Uitschakelen**  
 Stäng av

This luminaire is suitable for interior ceiling or wall mounting.

Installation should be carried out by a suitably qualified person in accordance with good electrical practice and the appropriate national wiring regulations.

Switch of mains electrical supply before installation.

**Installation Procedure**

Check that the mains supply conforms with rating on label (C).

Prepare suitable fixings in mounting surface at 275mm or 200mm centres.

NOTE: Gallery is marked 'TOP' if wall mounting.

Fit grommets (A) in gallery (B).  
 NOTE: Recess mounting surface around cables to allow clearance for grommets.

Pierce grommets (A) and pass mains supply leads and loop-in/out leads (if applicable) into gallery.

Secure gallery (B) to mounting surface using suitable round headed screws.

Cover mains supply leads and loop-in/out leads (if applicable) with supplied silicone sleeving (G).

Connect leads in respectively marked terminals in terminal block (E).

Fit appropriate lamp as indicated on label (C).

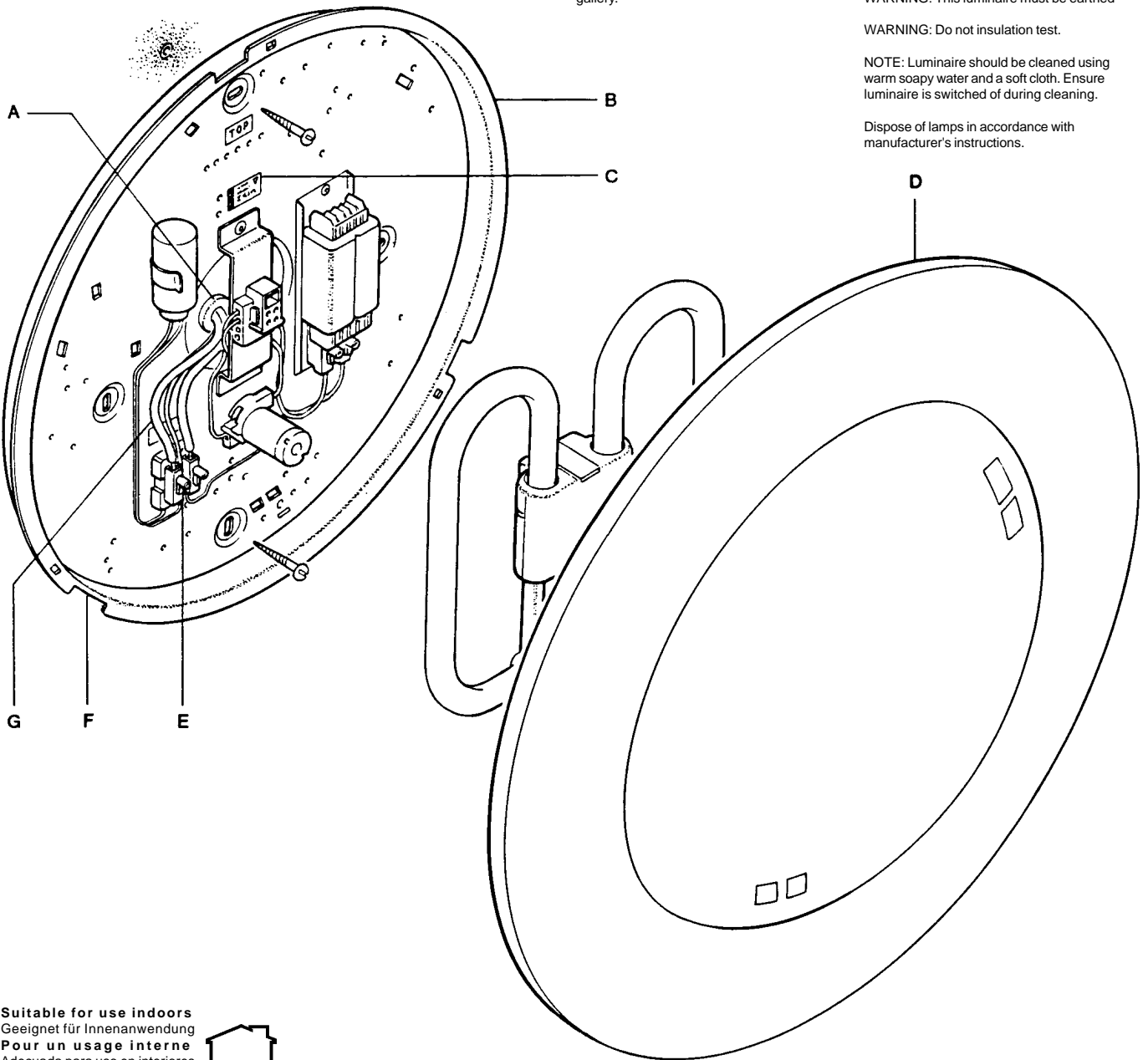
Locate retaining clips of diffuser/trim (D) in gallery cut-outs (F) and rotate diffuser/trim clockwise to engage.

WARNING: This luminaire must be earthed

WARNING: Do not insulation test.

NOTE: Luminaire should be cleaned using warm soapy water and a soft cloth. Ensure luminaire is switched off during cleaning.

Dispose of lamps in accordance with manufacturer's instructions.



**Suitable for use indoors**  
 Geeignet für Innenanwendung  
**Pour un usage interne**  
 Adecuada para uso en interiores  
**Geschikt voor gebruik binnen**  
 Lämplig för inomhusbruk



**Replace any cracked protective shield.**

Dieses symbol bedeutet, dass defekte Schutzgläser sofort ersetzt werden müssen.

**Ce symbole indique que vous devez remplacer tout verre de protection fêlé.**

Este símbolo indica que hay que reemplazar filtros en caso de rotura o desperfectos.



**Dette symbolet indikerer at alle ødelagte (sprukne) sikkerhetglass må skiftes.**

Valaisinta ei saa käyttää ilman suojalasia vioitunut suojalasi on vaihdettava uuteen ennen valaisimen käyttöön ottoa.

< Millimetres >



This Electrical Product **MUST** be recycled.



03.08