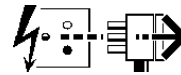


4041166 4041167 4041170 4041171 4041174  
 4041175 4051681 4051682 4062884 4062885  
 4063003 4148449 4148450 4148454 4148455  
 4148459 4164421 4164747 4164911 4164998  
 4165030 4165153 4165191 4165373 4165506  
 4165516

**Disconnect from mains supply before replacing the fuse or the lamp.**  
 Vor dem Einsetzen der Sicherung oder der Lampe Spannungsfreiheit herstellen.  
**Débrancher le secteur avant de remplacer le fusible ou l'ampoule.**  
 Desconectar del suministro de la red, antes de realizar la sustitución del fusible o de la lámpara.  
**Voor het vervangen van lamp of zekering, eerst netspanning uitschakelen.**  
 Koppla bort spänningen före byte av en säkring eller en lampa.



**Switch Off**  
 Abschalten  
**Débrancher**  
 Desconectar  
**Uitschakelen**  
 Stäng av

This luminaire is suitable for interior wall or ceiling mounting and is designed for maintained emergency operation with a duration of 3 hours.

Installation should be carried out by a suitably qualified person in accordance with good electrical practice and the appropriate national wiring regulations.

Switch off mains supply before commencing installation.

### Installation Instructions

Check rating on label (K) conforms with mains electrical supply.

Prepare suitable fixings in mounting surface at 210mm centres, and partially screw in suitable round headed screws.  
 Note gallery is marked 'TOP' for wall mounting.

Enter supply connection date on battery pack label (H).

Fit supplied grommet (G) in gallery (J), and pass mains supply leads and Unswitched live mains supply lead through grommet.

Locate gallery (J) over fixing screws, insert slip washers (D) behind screw heads and tighten screws.

Cover mains supply leads with supplied sleeving and connect leads in respectively marked terminals in terminal block (F).

Cover Unswitched live mains supply leads with supplied sleeving and connect lead in respectively marked terminal in terminal block (F).

Fit appropriate lamp as indicated on label (K).

Connect battery plug (B) to module socket (A).

Locate retaining clips of diffuser/trim (E) in gallery cut-offs (L) and rotate diffuser/trim (E) clockwise to engage.

### Testing (PTO)

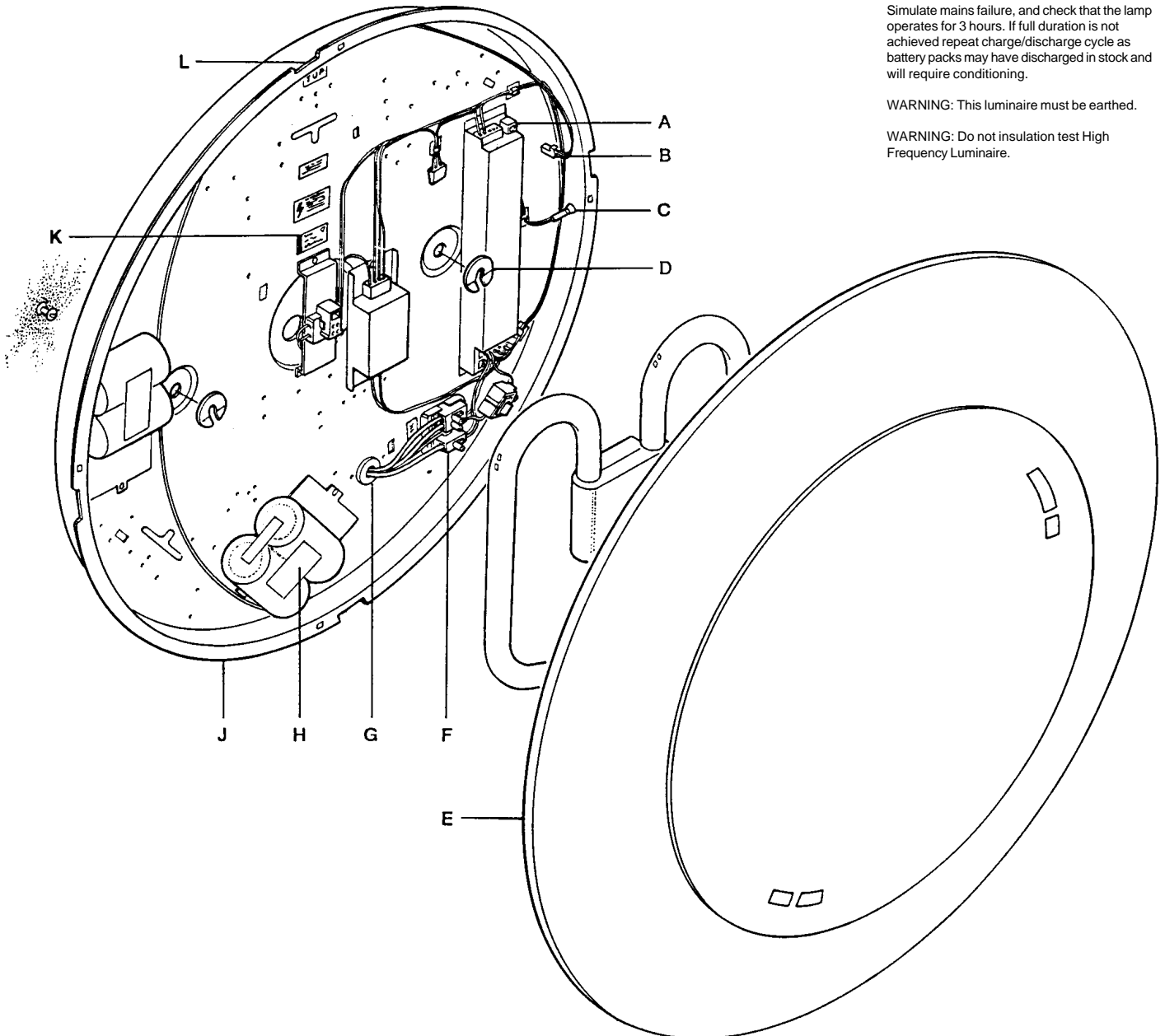
Switch on mains supply and check that the charge indicator lamp (C) is on.

Leave luminaire on continuous charge for 24 hours.

Simulate mains failure, and check that the lamp operates for 3 hours. If full duration is not achieved repeat charge/discharge cycle as battery packs may have discharged in stock and will require conditioning.

**WARNING:** This luminaire must be earthed.

**WARNING:** Do not insulation test High Frequency Luminaire.



### Routine Maintenance

Routine maintenance must be carried out in compliance with the requirements of BS5266:Part 1 - Emergency Lighting of Premises.

The following tests assume a three-hour system.

- Daily:**
1. Check that any recorded faults have been rectified.
  2. Check that the maintained emergency lamp is operative.
  3. Check that the charge indicator light is illuminated.
- Monthly:**  
(Functional)
1. Simulate a mains failure and check that the emergency lamp illuminates and remains on for several minutes.
  2. After reverting back to mains supply check the charge indicator light is illuminated.
- Six Monthly:**  
(1 Hour)
1. Simulate a mains failure and check that the emergency lamp illuminates and remains on for one hour.
  2. After reverting back to mains supply check the charge indicator light is illuminated.
  3. On restoring the mains supply the unit will require approximately 24 hours to recharge before becoming fully operational.
- Three Years:**  
(3 Hours)
1. Simulate a mains failure and check that the emergency lamp illuminates and remains on for at least 3 hours.
  2. After reverting back to mains supply check the charge indicator light is illuminated.
  3. On restoring the mains supply the unit will require approximately 24 hours to recharge before becoming fully operational.

It is recommended that the battery packs and lamps are replaced every 4 years or sooner if the units performance fails to meet the above requirements. To maintain optimum unit performance, only approved replacement battery packs and lamps must be used.

All routine maintenance checks must be recorded on the unit Routine Test Record and must be made available for inspection at all times.

### Installation and Commissioning Record

Luminaire Model Ref: \_\_\_\_\_ Location: \_\_\_\_\_  
Installed By: \_\_\_\_\_ Date: \_\_\_\_\_  
Commissioned by: \_\_\_\_\_ Date: \_\_\_\_\_  
(Full Charge and Discharge Cycle)

### Routine Test Record

| Monthly Test    | First Year |       | Second Year |       | Third Year |       | Forth Year |       | Fifth Year |       |
|-----------------|------------|-------|-------------|-------|------------|-------|------------|-------|------------|-------|
|                 | Signed     | Dated | Signed      | Dated | Signed     | Dated | Signed     | Dated | Signed     | Dated |
| Functional      |            |       |             |       |            |       |            |       |            |       |
| Functional      |            |       |             |       |            |       |            |       |            |       |
| Functional      |            |       |             |       |            |       |            |       |            |       |
| Functional      |            |       |             |       |            |       |            |       |            |       |
| Functional      |            |       |             |       |            |       |            |       |            |       |
| 1 Hour Duration |            |       |             |       |            |       |            |       |            |       |
| Functional      |            |       |             |       |            |       |            |       |            |       |
| Functional      |            |       |             |       |            |       |            |       |            |       |
| Functional      |            |       |             |       |            |       |            |       |            |       |
| Functional      |            |       |             |       |            |       |            |       |            |       |
| Functional      |            |       |             |       |            |       |            |       |            |       |
| 1 Hour Duration |            |       |             |       |            |       |            |       |            |       |
| 3 Hour Duration |            |       |             |       |            |       |            |       |            |       |

### Suitable for use indoors

Geeignet für Innenanwendung

Pour un usage interne

Adecuada para uso en interiores

Geschikt voor gebruik binnen

Lämplig för inomhusbruk



### Replace any cracked protective shield.

Dieses symbol bedeutet, dass defekte Schutzgläser sofort ersetzt werden müssen.

**Ce symbol indique que vous devez remplacer tout verre de protection fêlé.**

Este simbolo indica que hay que reemplazar filtros en caso de rotura o desperfectos.

**Dette symbolet indikerer at alle ødelagte (sprukne) sikkerhetsglass må skiftes.**

Valaisinta el saa käyttää ilman suojalasia vioittunut suojalasi on vaihdettava uuteen ennen valaisimen käyttöön ottoa.



< Millimetres >



This Electrical Product  
MUST be recycled.



01.08

# Concord

Avis Way Newhaven East Sussex BN9 0ED  
T 0870 606 2030 F 01273 512 688 email: information@concordmarlin.com



© Concord Lighting Ltd.