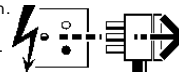


Disconnect from mains supply before replacing the fuse or the lamp.
Vor dem Einsetzen der Sicherung oder der Lampe Spannungsfreiheit herstellen.
Débrancher le secteur avant de remplacer le fusible ou l'ampoule.
Desconectar del suministro de la red, antes de realizar la sustitución del fusible o de la lámpara.
Voor het vervangen van lamp of zekering, eerst netspanning uitschakelen.
Koppla bort spänningen före byte av en säkring eller en lampa.



Switch Off
Abschalten
Débrancher
Desconectar
Uitschakelen
Stäng av

This luminaire is suitable for interior ceiling or wall mounting to a 50.8mm conduit box or directly to mounting surface.

Installation should be carried out by a suitably qualified person in accordance with good electrical practice and the appropriate national wiring regulations.

Switch off the mains electrical supply before commencing installation.

INSTALLATION PROCEDURE

Carefully remove diffuser (E) as shown.

Check rating marked on label (A) conforms with mains electrical supply.

Partially screw suitable M4 screws in conduit box, or alternatively, prepare suitable fixings in mounting surface at 190mm centres for out-rigger fixing holes (D).

NOTE: For wall mounted applications, gallery (C) is marked TOP.

Fit supplied grommets (B) in gallery.

Pass mains supply leads and earth lead through grommet.

Secure gallery (C) to conduit box or to mounting surface using suitable fixing screws.

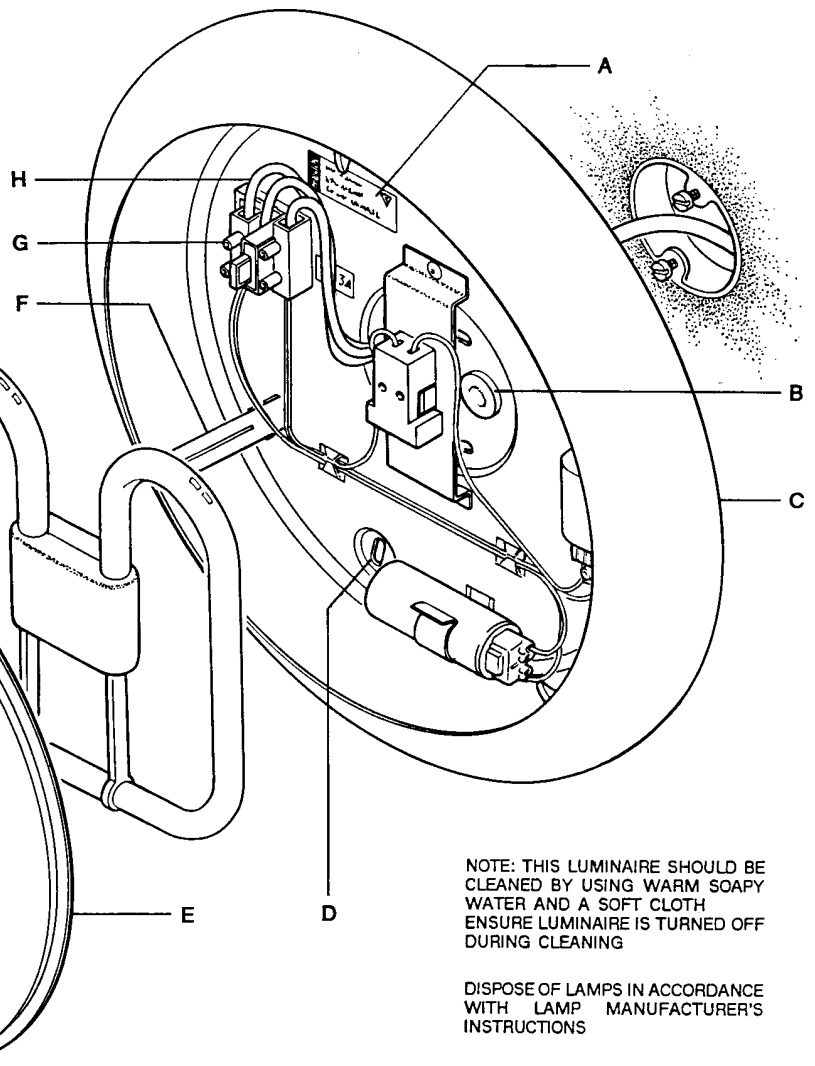
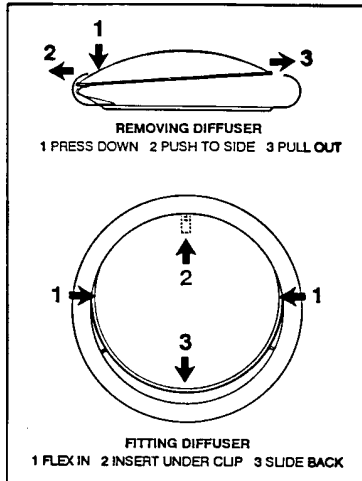
Cut supplied silicone sleeving (H) to required lengths and cover mains supply leads. Connect leads to their respective terminals in 3A fused terminal block (G).

Fit appropriate lamp as indicated on label (A) by pushing it firmly in lampholder.

Fit diffuser (E) into gallery rim as shown ensuring it is held concentrically by retaining clips (F).

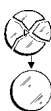
WARNING: LUMINAIRE MUST BE EARTHED

WARNING: DO NOT INSULATION TEST HIGH FREQUENCY LUMINAIRE



NOTE: THIS LUMINAIRE SHOULD BE CLEANED BY USING WARM SOAPY WATER AND A SOFT CLOTH ENSURE LUMINAIRE IS TURNED OFF DURING CLEANING

DISPOSE OF LAMPS IN ACCORDANCE WITH LAMP MANUFACTURER'S INSTRUCTIONS



Replace any cracked protective shield.
Dieses symbol bedeutet, dass defekte Schutzgläser sofort ersetzt werden müssen.
Ce symbol indique que vous devez remplacer tout verre de protection fêlé.
Este simbolo indica que hay que reemplazar filtros en caso de rotura o desperfectos.
Dette symbolet indikerer at alle ødelagte (sprukne) sikkerhetglass må skiftes.
Valaisinta el saa käyttää ilman suojalasia vioitunut suojalasi on vaihdettava uuteen ennen valaisimen käyttöön ottoa.

Suitable for use indoors
Geeignet für Innenanwendung
Pour un usage interne
Adecuada para uso en interiores
Geschikt voor gebruik binnen
Lämplig för inomhusbruk



This Electrical Product
MUST be recycled.



< Millimetres >