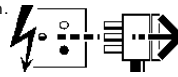
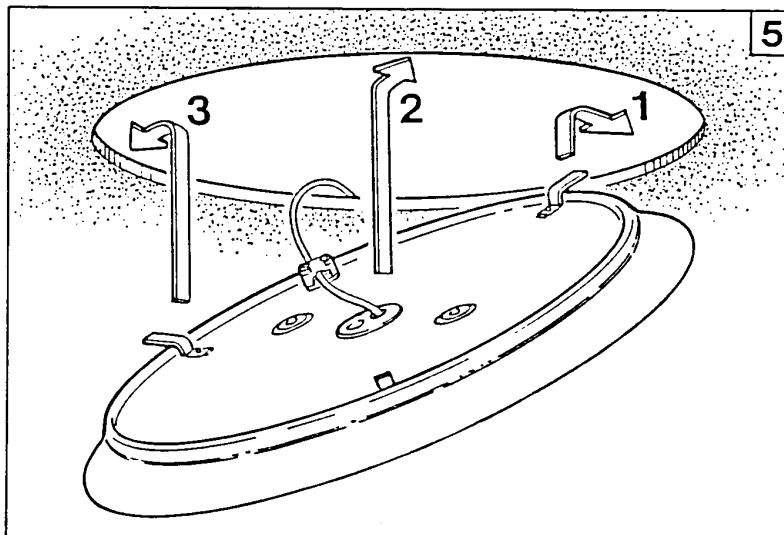
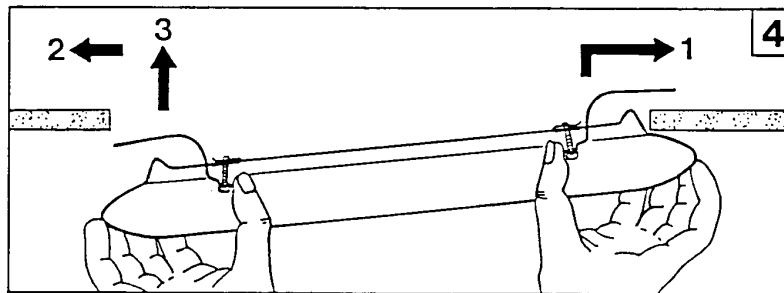
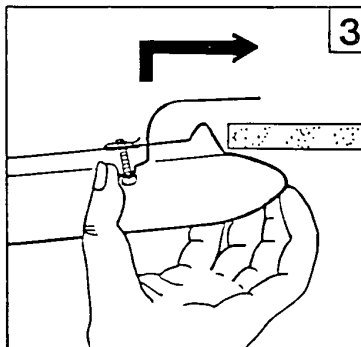
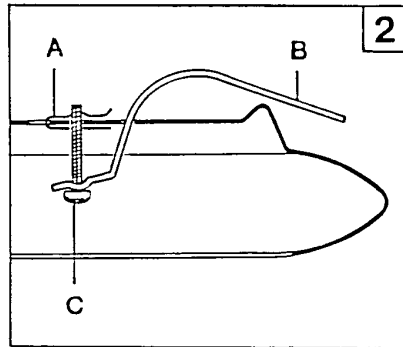
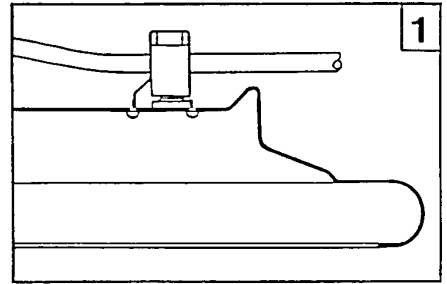
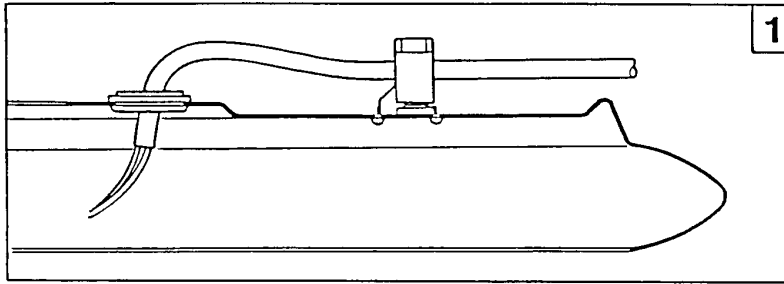


Disconnect from mains supply before replacing the fuse or the lamp.
 Vor dem Einsetzen der Sicherung oder der Lampe Spannungsfreiheit herstellen.
Débrancher le secteur avant de remplacer le fusible ou l'ampoule.
 Desconectar del suministro de la red, antes de realizar la sustitución del fusible o de la lámpara.
Voor het vervangen van lamp of zekering, eerst netspanning uitschakelen.
 Koppla bort spänningen före byte av en säkring eller en lampa.



Switch Off
 Abschalten
Débrancher
 Desconectar
Uitschakelen
 Stäng av



APERTURE DIAMETERS

- 1592 Series - 280mm
- 1592 Emergency Series - 295mm
- 1593 Series - 380mm
- 1594 Series - 480mm
- 2035 Series - 300mm
- 2045 Series - 400mm
- 2055 Series - 500mm

NOTE: A clearance of 75mm is required between gallery and recessed enclosure sides.

INSTALLATION PROCEDURE

Remove diffuser as shown in Opaline Instruction leaflet.

Fig.1 - Locate gallery holes marked A on gallery and fit cable clamp as shown.

Fig.2 - Fit screw clips (A) in inner gallery slots with bent tabs to top as shown.

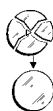
Insert clamps (B) through gallery outer slots and retain with screws (C), screwed in 2mm into clip.

Fig.1 - Offer gallery to aperture, pass mains supply cable through clamp and into gallery. NOTE: Only 10mm of cable sheathing to enter gallery as shown.

Figs.3/4 - 1592 / 1593 / 2035 / 2045 Series - Hold clamps and insert gallery in aperture as shown and tighten screws.

Fig.5 - 1594 / 2055 Series - Hold one clamp as shown in Fig.3, insert gallery in aperture and locate clamp on inner mounting surface. Repeat procedure with other clamps in rotation as shown and tighten screws.

Complete Installation as described in Opaline Instruction leaflet.



Replace any cracked protective shield.

Dieses symbol bedeutet, dass defekte Schutzgläser sofort ersetzt werden müssen.

Ce symbol indique que vous devez remplacer tout verre de protection fêlé.

Este simbolo indica que hay que reemplazar filtros en caso de rotura o desperfectos.

Dette symbolet indikerer at alle ødelagte (sprukne) sikkerhetglass må skiftes.

Valaisinta ei saa käyttää ilman suojalasia vioitunut suojalasi on vaihdettava uuteen ennen valaisimen käyttöön ottoa.

Suitable for use indoors
 Geeignet für Innenanwendung
Pour un usage interne
 Adecuada para uso en interiores
Geschikt voor gebruik binnen
 Lämpig för inomhusbruk



This Electrical Product
MUST be recycled.



< Millimetres >