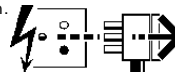


4043618 4048873 4051695 4051696
4056592 4056593 4056720 4056721

Disconnect from mains supply before replacing the fuse or the lamp.
Vor dem Einsetzen der Sicherung oder der Lampe Spannungsfreiheit herstellen.
Débrancher le secteur avant de remplacer le fusible ou l'ampoule.
Desconectar del suministro de la red, antes de realizar la sustitución del fusible o de la lámpara.
Voor het vervangen van lamp of zekering, eerst netspanning uitschakelen.
Koppla bort spänningen före byte av en säkring eller en lampa.



Switch Off
Abschalten
Débrancher
Desconectar
Uitschakelen
Stäng av

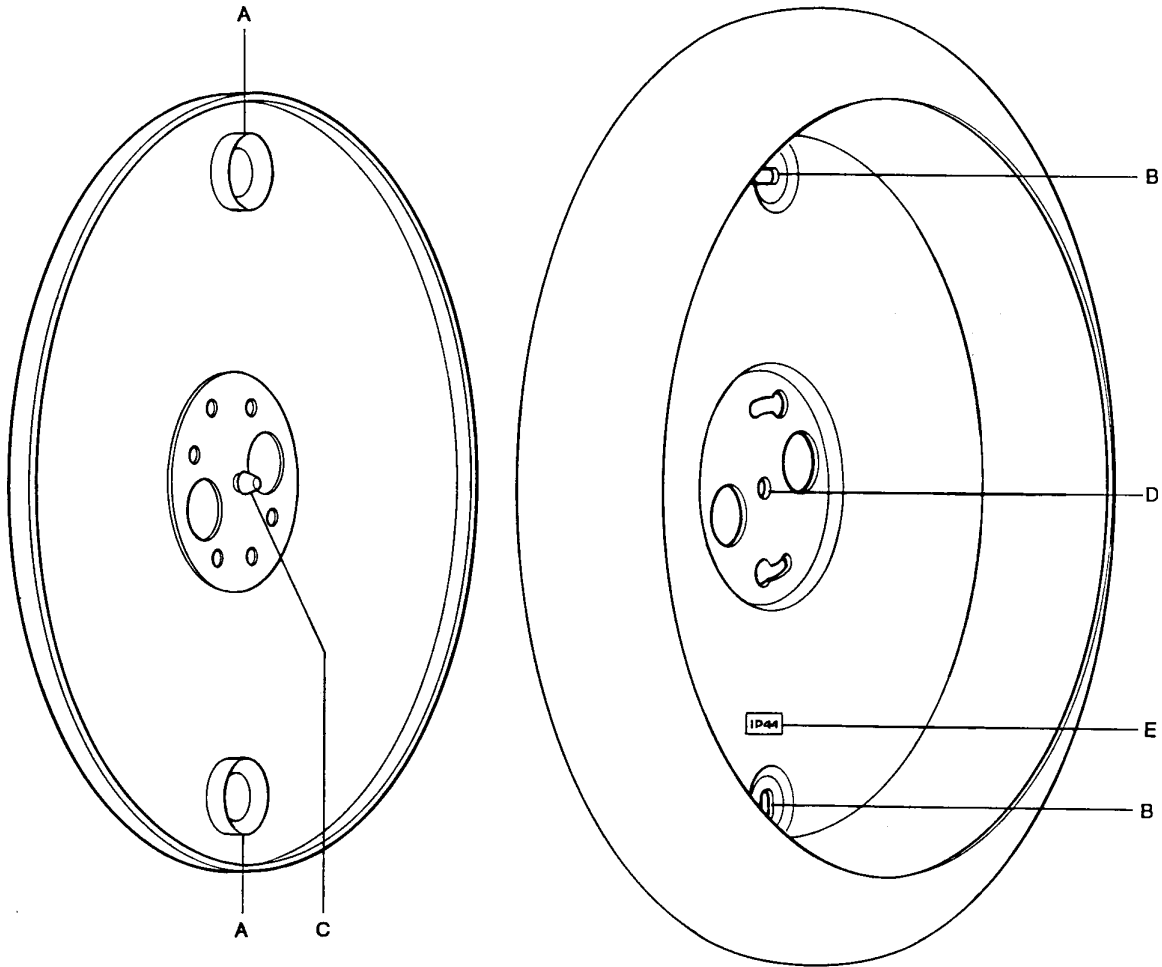
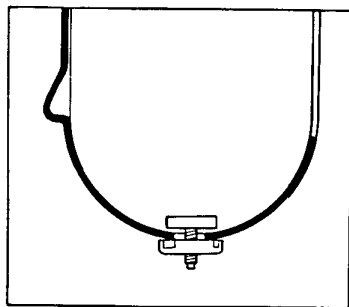


Illustration shows 4043618 (REV0441)
Installation is common to all kits

Fig. 1



Installation Procedure

Align gasket bosses (A) with housing outrigger fixing holes (B) and insert gasket nipple (C) through housing centre hole (D)

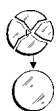
If wall mounting drill a 6mm diameter hole in the housing and fit a drain plug as shown in Fig.1. Note: 405mm and 550mm Diameter. Symbols do not require a drain plug as they are self draining.

Stick IP44 label (E) in a suitable position in housing.

It is recommended that the housing is installed using outrigger fixing holes (B).

Note: To obtain IP44 protection the whole area of gasket must be in contact with a flat mounting surface.

IP44 = Protected against solid objects greater than 1mm and protected against splashing water.



Replace any cracked protective shield.

Dieses symbol bedeutet, dass defekte Schutzgläser sofort ersetzt werden müssen.

Ce symbol indique que vous devez remplacer tout verre de protection fêlé.

Este simbolo indica que hay que reemplazar filtros en caso de rotura o desperfectos.

Dette symbolet indikerer at alle ødelagte (sprukne) sikkerhetglass må skiftes.

Valaisinta el saa käyttää ilman suojalasia vioitunut suojalasi on vaihdettava uuteen ennen valaisimen käyttöön ottoa.

Suitable for use indoors
Geeignet für Innenanwendung
Pour un usage interne
Adecuada para uso en interiores
Geschikt voor gebruik binnen
Lämplig för inomhusbruk



This Electrical Product
MUST be recycled.



< Millimetres >