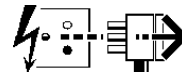
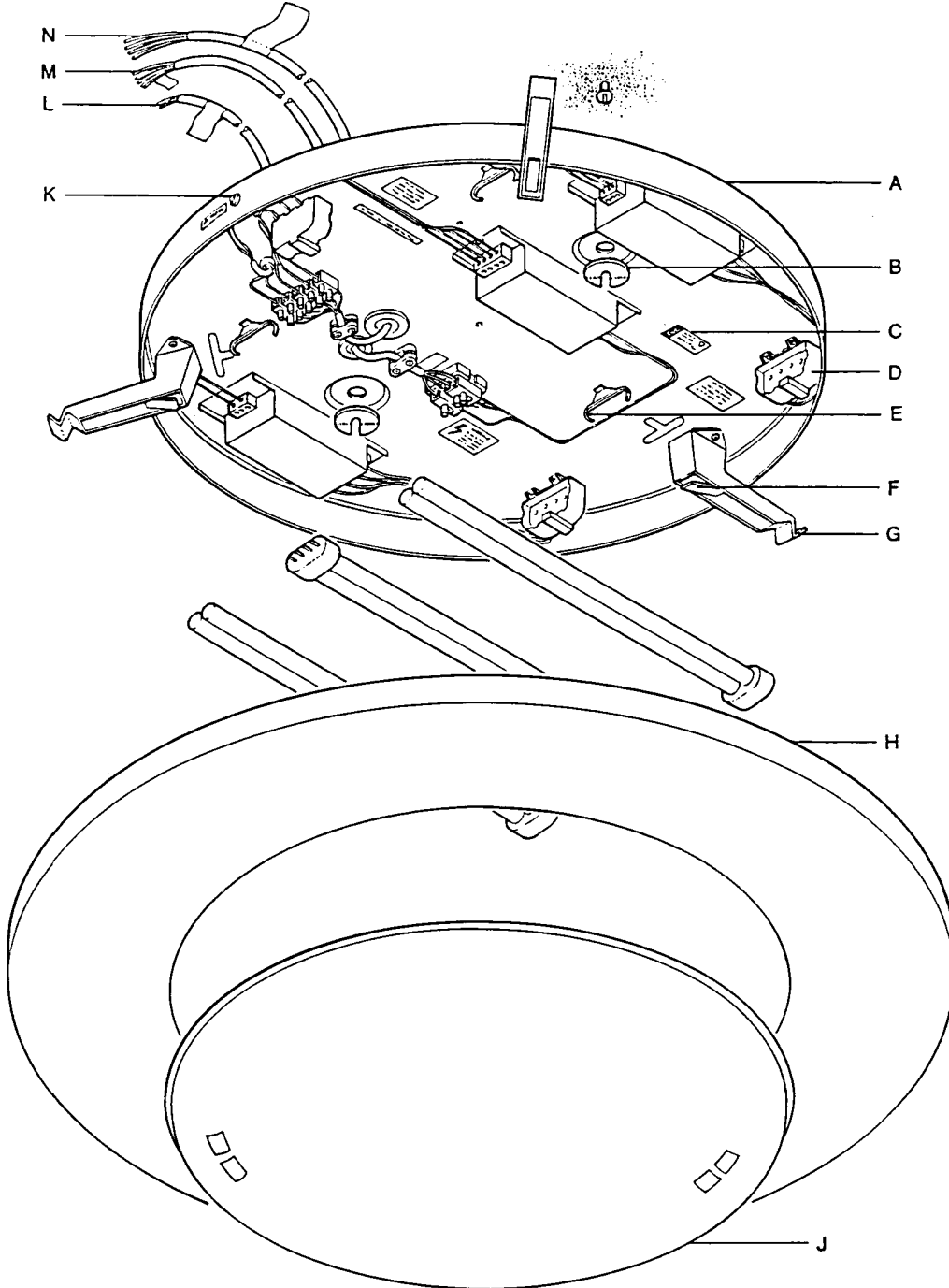


Disconnect from mains supply before replacing the fuse or the lamp.
 Vor dem Einsetzen der Sicherung oder der Lampe Spannungsfreiheit herstellen.
Débrancher le secteur avant de remplacer le fusible ou l'ampoule.
 Desconectar del suministro de la red, antes de realizar la sustitución del fusible o de la lámpara.
Voor het vervangen van lamp of zekering, eerst netspanning uitschakelen.
 Koppla bort spänningen före byte av en säkring eller en lampa.



Switch Off
 Abschalten
Débrancher
 Desconectar
Uitschakelen
 Stäng av



This luminaire is suitable for interior ceiling or wall mounting.

Installation should be carried out by a suitably qualified person in accordance with good electrical practice and the appropriate national wiring regulations.

Switch off mains electrical supply before commencing installation.

Installation Procedures

Check rating marked on label (C) conforms with mains electrical supply.

Prepare suitable fixings in mounting surface at 210mm centres and partially screw in suitable round headed screws.
 NOTE: If wall mounting gallery (A) is marked 'TOP'.

Locate gallery fixing holes over fixing screws, insert slip washers under screw heads and tighten screws.

Connect leads of luminaire cables (L, M and N) to remote box terminals as indicated on the cable labels and Instruction Sheet IS5336.

Fit appropriate lamps as indicated on label (C), by pushing the lamps firmly into lampholders and locating lamp ends in retaining clips (E).

Push halo ring (H) onto retaining brackets (G).

Insert diffuser (J) into ring ensuring it is held concentrically by retaining lugs (F).

Testing (PTO)

Switch on mains supply and check that the charge indicator lamp (K) is on.

Leave luminaire on continuous charge for 24 hours.

Simulate mains failure, and check that the lamp operates for 3 hours. If full duration is not achieved repeat charge/discharge cycle as battery packs may have discharged in stock and will require conditioning.

WARNING: Do not extend 0.5m cables fitted to luminaire.

WARNING: Luminaire must be earthed.

WARNING: Do not insulation test.

NOTE: Refer to Installation Instruction Sheet IS5336 supplied with luminaire for fitting supplied 3 lamp adaptor bracket assembly in remote box.

NOTE: This luminaire should only be cleaned by using warm soapy water and a soft cloth. Ensure luminaire is switched off during cleaning.

Dispose of lamps in accordance with lamp manufacturer's instructions.

Routine Maintenance

Routine maintenance must be carried out in compliance with the requirements of BS5266:Part 1 - Emergency Lighting of Premises.

The following tests assume a three-hour system.

- Daily:**
1. Check that any recorded faults have been rectified.
 2. Check that the maintained emergency lamp is operative.
 3. Check that the charge indicator light is illuminated.
- Monthly:**
(Functional)
1. Simulate a mains failure and check that the emergency lamp illuminates and remains on for several minutes.
 2. After reverting back to mains supply check the charge indicator light is illuminated.
- Six Monthly:**
(1 Hour)
1. Simulate a mains failure and check that the emergency lamp illuminates and remains on for one hour.
 2. After reverting back to mains supply check the charge indicator light is illuminated.
 3. On restoring the mains supply the unit will require approximately 24 hours to recharge before becoming fully operational.
- Three Years:**
(3 Hours)
1. Simulate a mains failure and check that the emergency lamp illuminates and remains on for at least 3 hours.
 2. After reverting back to mains supply check the charge indicator light is illuminated.
 3. On restoring the mains supply the unit will require approximately 24 hours to recharge before becoming fully operational.

It is recommended that the battery packs and lamps are replaced every 4 years or sooner if the units performance fails to meet the above requirements. To maintain optimum unit performance, only approved replacement battery packs and lamps must be used.

All routine maintenance checks must be recorded on the unit Routine Test Record and must be made available for inspection at all times.

Installation and Commissioning Record

.....

Luminaire Model Ref: Location:

.....

Installed By: Date:

.....

Commissioned by: Date:

(Full Charge and Discharge Cycle)


.....

Routine Test Record

Monthly Test	First Year		Second Year		Third Year		Forth Year		Fifth Year	
	Signed	Dated	Signed	Dated	Signed	Dated	Signed	Dated	Signed	Dated
Functional										
Functional										
Functional										
Functional										
Functional										
1 Hour Duration										
Functional										
Functional										
Functional										
Functional										
Functional										
1 Hour Duration										
3 Hour Duration										

Suitable for use indoors
 Geeignet für Innenanwendung
Pour un usage interne
 Adecuada para uso en interiores
Geschikt voor gebruik binnen
 Lämpig för inomhusbruk



 **Replace any cracked protective shield.**
 Dieses symbol bedeutet, dass defekte schutzgläser sofort ersetzt werden müssen.
Ce symbol indique que vous devez remplacer tout verre de protection fêlé.
 Este simbolo indica que hay que reemplazar filtros en caso de rotura o desperfectos.
Dette symbolet indikerer at alle ødelagte (sprukne) sikkerhetsglass må skiftes.
 Valaisinta el saa käyttää ilman suojalasia vioittunut suojalasi on vaihdettava uuteen ennen valaisimen käyttöön ottoa.

< Millimetres >  This Electrical Product **MUST** be recycled. 



Avis Way Newhaven East Sussex BN9 0ED
 T 0870 606 2030 F 01273 512 688 email: information@concordmarlin.com

