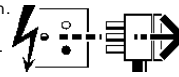
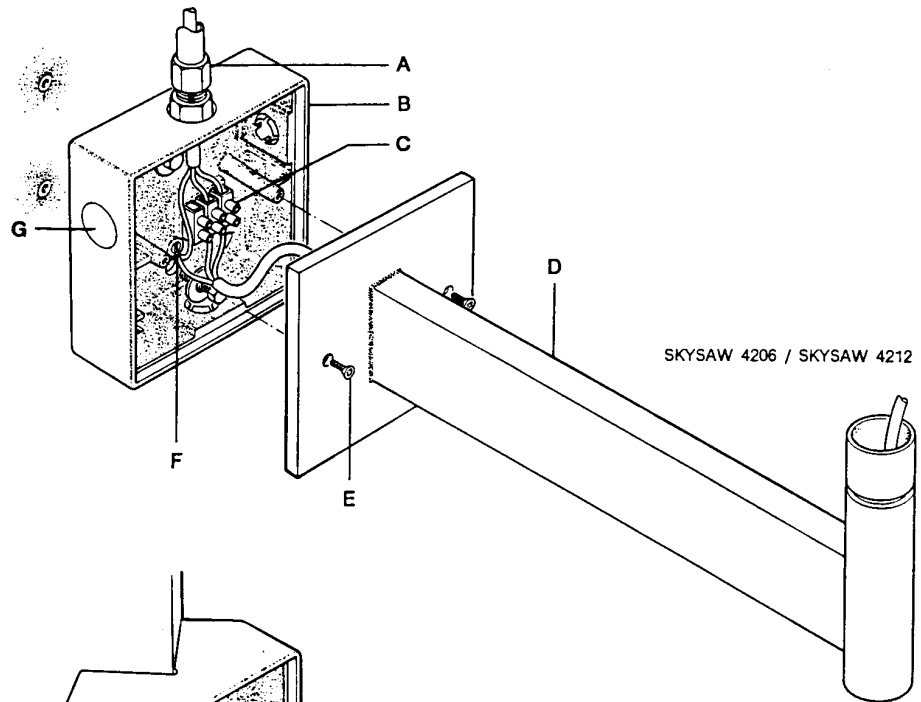
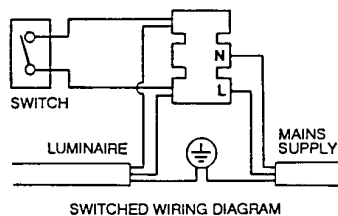
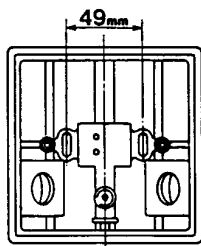
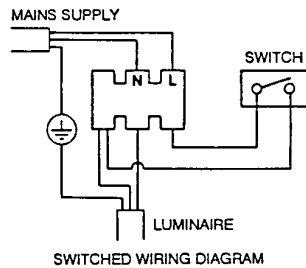
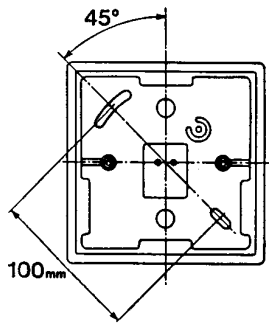


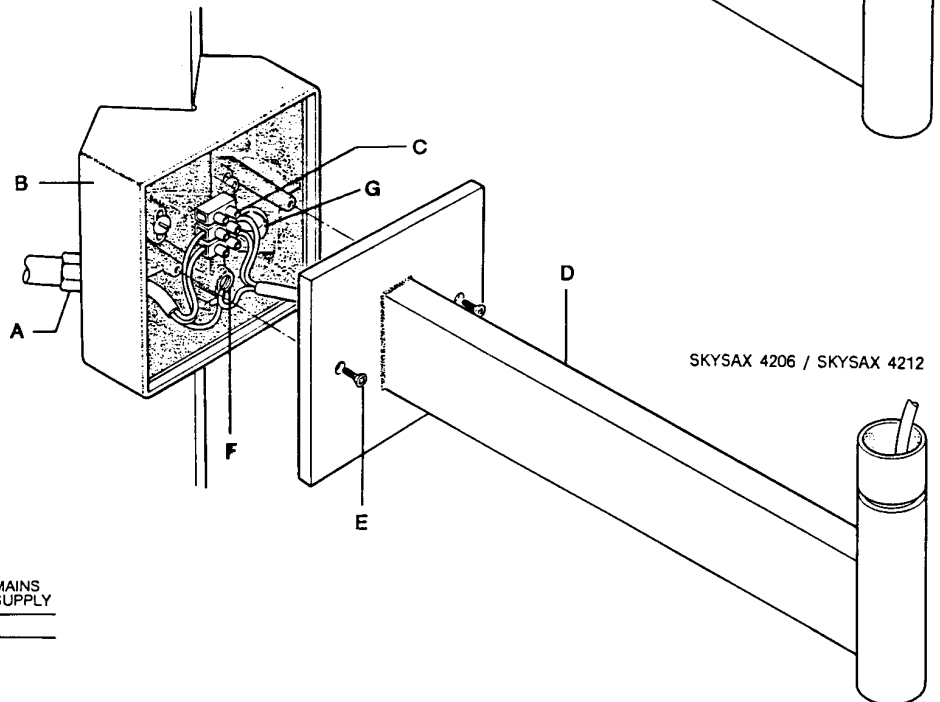
Disconnect from mains supply before replacing the fuse or the lamp.
Vor dem Einsetzen der Sicherung oder der Lampe Spannungsfreiheit herstellen.
Débrancher le secteur avant de remplacer le fusible ou l'ampoule.
Desconectar del suministro de la red, antes de realizar la sustitución del fusible o de la lámpara.
Voor het vervangen van lamp of zekering, eerst netspanning uitschakelen.
Koppla bort spänningen före byte av en säkring eller en lampa.



Switch Off
Abschalten
Débrancher
Desconectar
Uitschakelen
Stäng av



SKYSAW 4206 / SKYSAW 4212



SKYSAX 4206 / SKYSAX 4212

Installation should be carried out by a suitably qualified person in accordance with good electrical practice and the appropriate national wiring regulations.

Switch off mains electrical supply before commencing installation.

INSTALLATION PROCEDURE

Prepare suitable fixings in mounting surface, and secure mounting box (B) in position ensuring it is vertical and horizontal.

Fit cable gland, pyro or 20mm conduit components (A) in chosen mains entry hole in mounting box ensuring a watertight connection is made by using a suitable sealant.

Ensure all other entry holes are sealed with supplied blanking plugs (G).

Feed mains supply cable through connector.

Connect supply leads to their respective terminals in terminal block (C) and earth terminal (F).

Connect leads of cable from arm to their respective terminals in terminal block (C) and earth terminal (F).

Secure arm (D) to mounting box (B) with fixing screws (E).

WARNING: BRACKET MUST BE EARTHED



Replace any cracked protective shield.

Dieses symbol bedeutet, dass defekte Schutzgläser sofort ersetzt werden müssen.

Ce symbol indique que vous devez remplacer tout verre de protection fêlé.

Este símbolo indica que hay que reemplazar filtros en caso de rotura o desperfectos.

Dette symbolet indikerer at alle ødelagte (sprukne) sikkerhetglass må skiftes.

Valaisinta el saa käyttää ilman suojalasia vioitunut suojalasi on vaihdettava uuteen ennen valaisimen käyttöön ottoa.

Suitable for use indoors
Geeignet für Innenanwendung
Pour un usage interne
Adecuada para uso en interiores
Geschikt voor gebruik binnen
Lämplig för inomhusbruk



This Electrical Product
MUST be recycled.



06.06

< Millimetres >

Concord:marlin

Avis Way Newhaven East Sussex BN9 0ED
T 0870 606 2030 F 01273 512 688 email: information@concordmarlin.com

