

# Emergency Remote Box

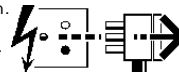
4048804 4088807 4147948



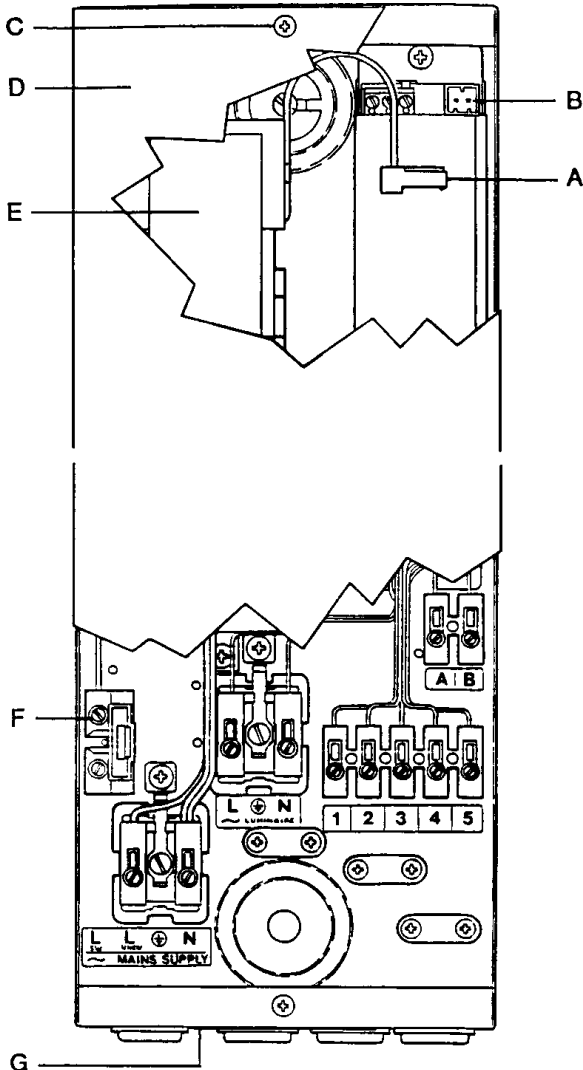
Installation Instructions  
**IS500** This Product  
**MUST be EARTHED**

## IS5336A

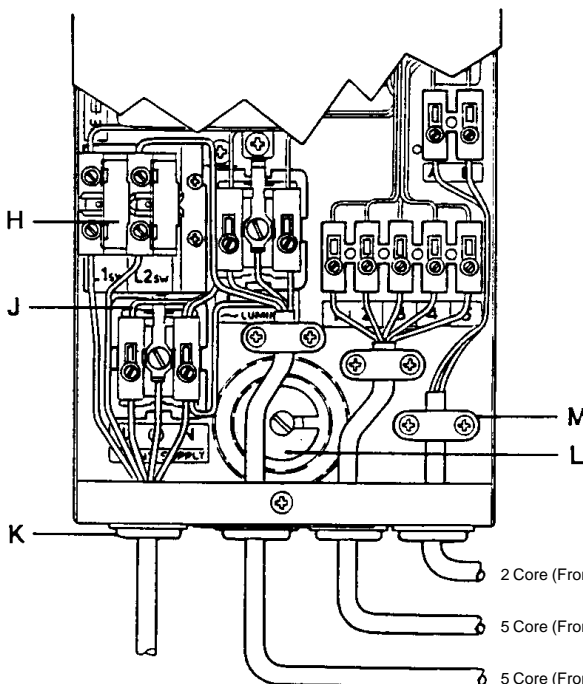
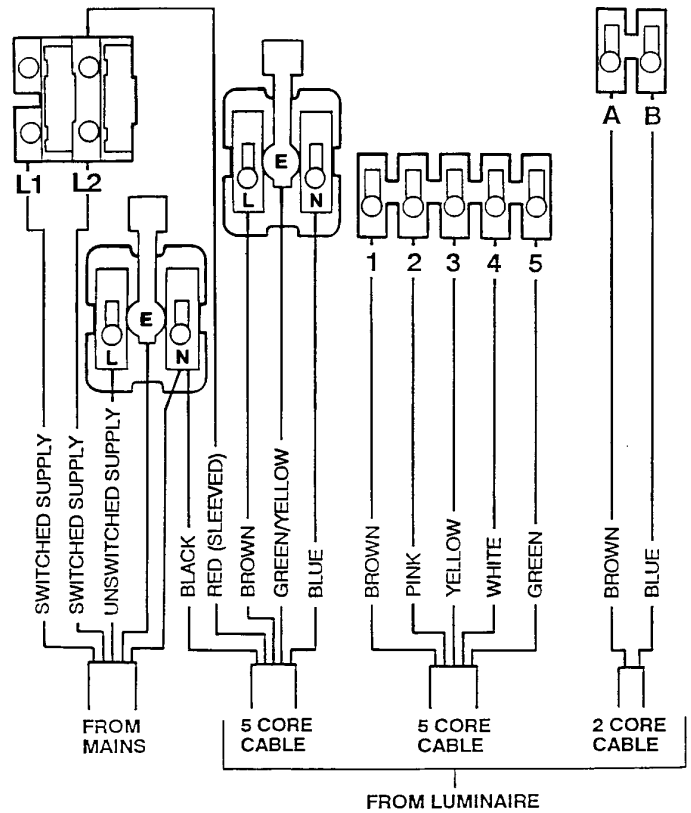
**Disconnect from mains supply before replacing the fuse or the lamp.**  
 Vor dem Einsetzen der Sicherung oder der Lampe Spannungsfreiheit herstellen.  
**Débrancher le secteur avant de remplacer le fusible ou l'ampoule.**  
 Desconectar del suministro de la red, antes de realizar la sustitución del fusible o de la lámpara.  
**Voor het vervangen van lamp of zekering, eerst netspanning uitschakelen.**  
 Koppla bort spänningen före byte av en säkring eller en lampa.



**Switch Off**  
 Abschalten  
**Débrancher**  
 Desconectar  
**Uitschakelen**  
 Stäng av



L1 - Single Centre / Emergency Lamp  
 L2 - Two Outer Lamps



Installation should be carried out by a suitably qualified person in accordance with good electrical practice and the appropriate national wiring regulations.

Switch off mains electrical supply before commencing installation.

### Installation Procedures

Determine box location adjacent to luminaire within confines of luminaire connection cables. NOTE: Cables must not be extended or replaced with an alternative.

Loosen cover fixing screws (C) and remove cover (D).

Check that the rating on label (G) conforms to mains electrical supply.

Remove fused terminal block (F) and fit to terminal block bracket assembly (H) supplied with luminaire.

Secure bracket assembly (H) in position using supplied screws.

NOTE: Ensure leads (J) from mains terminal block are routed round bracket as shown.

Enter installation date on battery pack label (E).

Prepare suitable fixings in mounting surface at 300mm centres and partially screw in suitable round headed screws.

Locate remote box fixing holes over screw heads, insert slip washers (K) under screw heads and tighten screws.

Pass cables from luminaire through grommets (K) and cable clamps (M).

Connect cable leads to respective terminals as shown in wiring diagram.

Connect battery plug (A) in module socket (B).

Fit cover (D) and tighten screws (C).

WARNING: Due to high starting voltage required to ignite lamp, MICC Cable must not be used for remote box to luminaire connection.

NOTE: Any deviation from these Installation Instructions will invalidate guarantee and any responsibility on the part of Concord.

WARNING: Do not insulation test

WARNING: This product must be earthed.

2 Core (From Luminaire)  
 5 Core (From Luminaire)  
 5 Core (From Luminaire)

### Routine Maintenance

Routine maintenance must be carried out in compliance with the requirements of BS5266:Part 1 - Emergency Lighting of Premises.

The following tests assume a three-hour system.

- Daily:**
1. Check that any recorded faults have been rectified.
  2. Check that the maintained emergency lamp is operative.
  3. Check that the charge indicator light is illuminated.
- Monthly:**  
(Functional)
1. Simulate a mains failure and check that the emergency lamp illuminates and remains on for several minutes.
  2. After reverting back to mains supply check the charge indicator light is illuminated.
- Six Monthly:**  
(1 Hour)
1. Simulate a mains failure and check that the emergency lamp illuminates and remains on for one hour.
  2. After reverting back to mains supply check the charge indicator light is illuminated.
  3. On restoring the mains supply the unit will require approximately 24 hours to recharge before becoming fully operational.
- Three Years:**  
(3 Hours)
1. Simulate a mains failure and check that the emergency lamp illuminates and remains on for at least 3 hours.
  2. After reverting back to mains supply check the charge indicator light is illuminated.
  3. On restoring the mains supply the unit will require approximately 24 hours to recharge before becoming fully operational.

It is recommended that the battery packs and lamps are replaced every 4 years or sooner if the units performance fails to meet the above requirements. To maintain optimum unit performance, only approved replacement battery packs and lamps must be used.

All routine maintenance checks must be recorded on the unit Routine Test Record and must be made available for inspection at all times.

### Installation and Commissioning Record

Luminaire Model Ref: \_\_\_\_\_ Location: \_\_\_\_\_  
Installed By: \_\_\_\_\_ Date: \_\_\_\_\_  
Commissioned by: \_\_\_\_\_ Date: \_\_\_\_\_  
(Full Charge and Discharge Cycle)

### Routine Test Record

Monthly Test	First Year		Second Year		Third Year		Forth Year		Fifth Year	
	Signed	Dated	Signed	Dated	Signed	Dated	Signed	Dated	Signed	Dated
Functional										
Functional										
Functional										
Functional										
Functional										
1 Hour Duration										
Functional										
Functional										
Functional										
Functional										
Functional										
1 Hour Duration										
3 Hour Duration										

### Suitable for use indoors

Geeignet für Innenanwendung

Pour un usage interne

Adecuada para uso en interiores

Geschikt voor gebruik binnen

Lämpig för inomhusbruk



### Replace any cracked protective shield.

Dieses symbol bedeutet, dass defekte Schutzgläser sofort ersetzt werden müssen.

**Ce symbol indique que vous devez remplacer tout verre de protection fêlé.**

Este simbolo indica que hay que reemplazar filtros en caso de rotura o desperfectos.

**Dette symbolet indikerer at alle ødelagte (sprukne) sikkerhetsglass må skiftes.**

Valaisinta el saa käyttää ilman suojalasia vioitunut suojalasi on vaihdettava uuteen ennen valaisimen käyttöön ottoa.



< Millimetres >



This Electrical Product  
MUST be recycled.



01.08

# Concord

Avis Way Newhaven East Sussex BN9 0ED  
T 0870 606 2030 F 01273 512 688 email: information@concordmarlin.com

