

Disconnect from mains supply before replacing the fuse or the lamp.

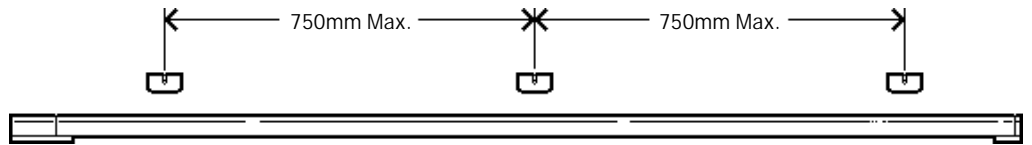
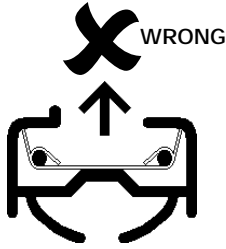


Suitable for use indoors

This Product **MUST** be EARTHED.

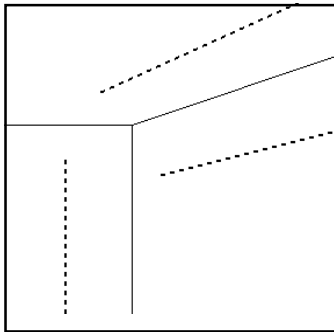
AL18000, AL18010

Note: The track is rated at 16A, but the loading may be restricted by the circuit rating.
eg 5A (lighting circuit) = 1200W Max. or 13A = 3120W Max.

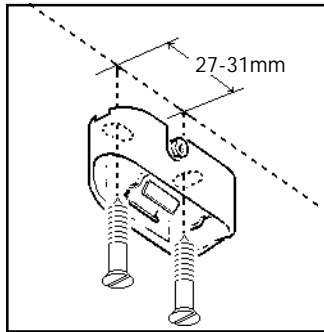


!DO NOT mount track with mouth pointing UPWARDS.

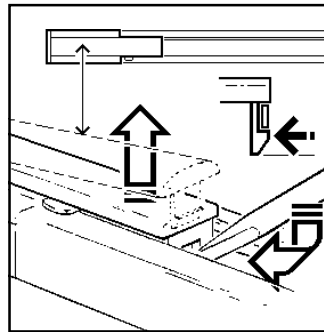
The Starter Track includes 1 X Live End, 2 X Dead Ends and Mounting Clips 2 X - AL18000, 3 X - AL18010



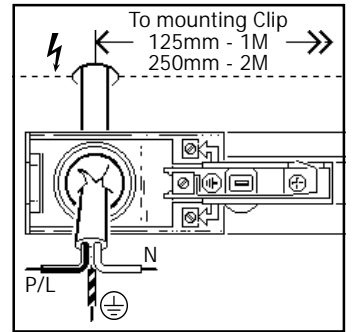
1. Determine the location for the track and mark a straight line on the ceiling or wall.



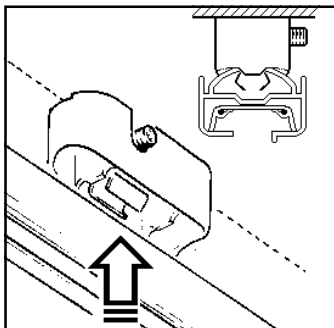
2. Screw the mounting clips to the surface, making sure that they are no more than 750mm apart. (screws not supplied)



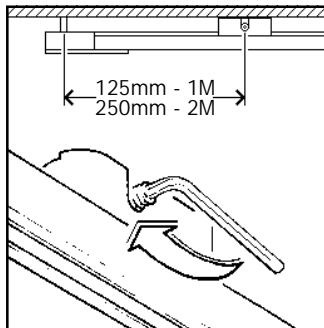
3. Insert screwdriver as shown, and carefully remove the cover from the live end.



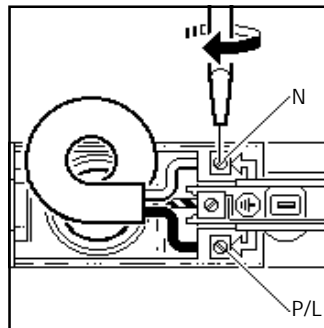
4. Pierce the flexible plug and pass the mains feed cable through. (use 3 x 0.75mm² Min.)



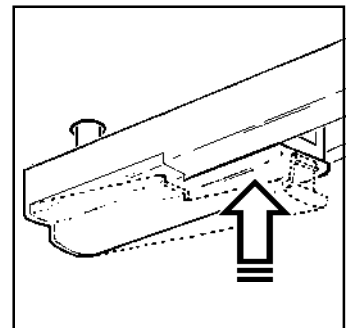
6. Loosen socket screw in mounting clip with the key provided, and attach the track as shown.



7. Position the track as shown, and tighten the socket screw with the key provided.



5. Wire the live end as shown:
N = Neutral (Blue or Black)
P/L = Live (Brown or Red)
 = Earth (Green/Yellow) and tighten screws.



8. Replace the live end cover, ensuring that it 'clicks' securely into position.

