

Sextant Adjustable Downlight

Installation Instructions
IS500



This Product
MUST be EARTHED

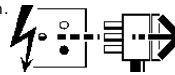
IS5365

SEXW 263/266CT
SEXW 323/326CT

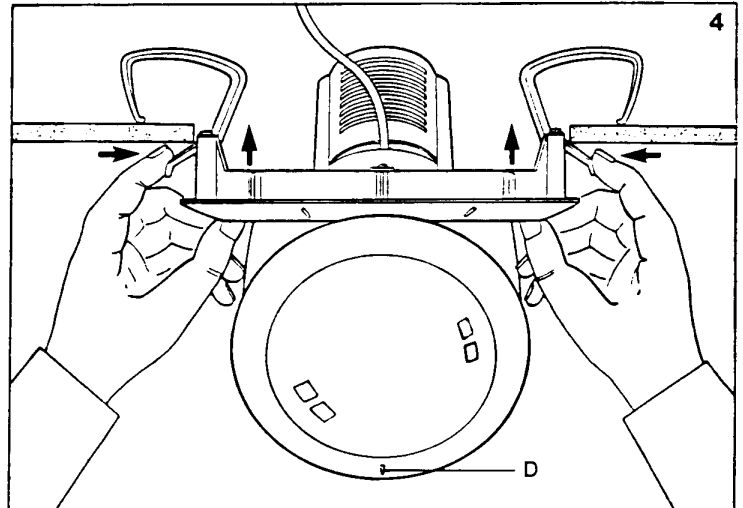
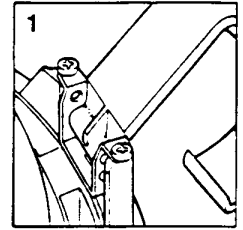
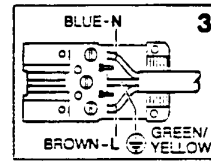
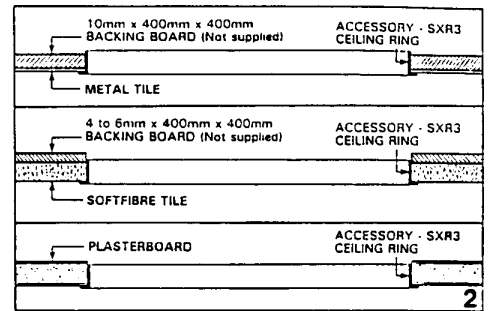
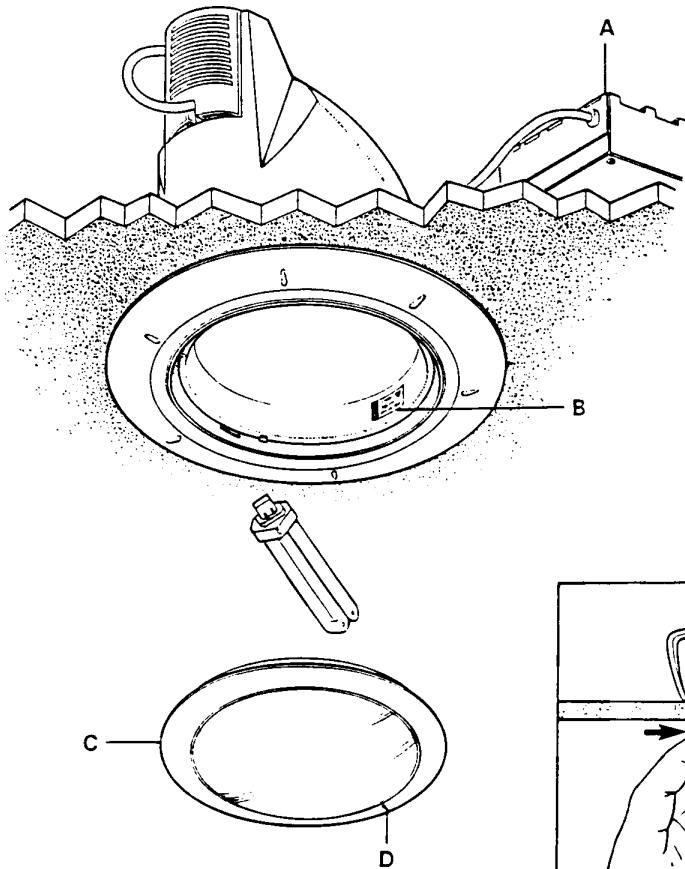
IP40

IP44 from underside only

Disconnect from mains supply before replacing the fuse or the lamp.
Vor dem Einsetzen der Sicherung oder der Lampe Spannungsfreiheit herstellen.
Débrancher le secteur avant de remplacer le fusible ou l'ampoule.
Desconectar del suministro de la red, antes de realizar la sustitución del fusible o de la lámpara.
Voor het vervangen van lamp of zekering, eerst netspanning uitschakelen.
Koppla bort spänningen före byte av en säkring eller en lampa.



Switch Off
Abschalten
Débrancher
Desconectar
Uitschakelen
Stäng av



This luminaire is suitable for interior ceiling mounting and requires a 210/212mm diameter aperture and a recess depth of 200mm.

Installation should be carried out by a suitably qualified person in accordance with good electrical practice and the appropriate national wiring regulations.

Switch off mains electrical supply before commencing installation.

INSTALLATION PROCEDURE

Prepare aperture in mounting surface. **NOTE:** To avoid damage when installing/removing downlight in mounting surfaces shown in Fig.2, it is recommended that Ceiling Ring Accessory - SXR3 is used.

The mounting clips can be fitted in two positions. Use bottom holes as shown in Fig.1 for ceiling thickness of 6-15mm or top holes for ceiling thickness of 15-30mm.

Remove plug from end of gear housing (A) and connect mains supply leads to plug as shown in Fig.3.

Connect plug in gear housing socket.

Pass remote box (A) through aperture and place on inside of mounting surface.

With housing in maximum down position, locate downlight in aperture, holding downlight and mounting clips as shown in Fig.4, push clips with fingers and push upwards with thumbs as shown by arrows.

Pull housing down at indicator (D), hold housing and rotate trim/glass assembly (C) anti-clockwise to remove.

Fit appropriate lamp as indicated on label (B).

Locate trim/glass assembly (C) in housing clips and rotate clockwise to lock.

To remove downlight - Pull housing down, rotate to stop, and pull on housing.

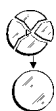
WARNING:
LUMINAIRE MUST BE EARTHED

WARNING:
DO NOT INSULATION TEST

WARNING: ANY EXTERNAL CABLE OR WIRING MUST NOT COME INTO CONTACT WITH THE HOUSING UNLESS HEAT RESISTANT UP TO 90°C

NOTE:
LUMINAIRE SHOULD BE CLEANED BY USING WARM SOAPY WATER AND A SOFT CLOTH - ENSURE LUMINAIRE IS SWITCHED OFF DURING CLEANING

DISPOSE OF LAMPS IN ACCORDANCE WITH LAMP MANUFACTURER'S INSTRUCTIONS



Replace any cracked protective shield.

Dieses symbol bedeutet, dass defekte Schutzgläser sofort ersetzt werden müssen.

Ce symbol indique que vous devez remplacer tout verre de protection fêlé.

Este simbolo indica que hay que reemplazar filtros en caso de rotura o desperfectos.

Dette symbolet indikerer at alle ødelagte (sprukne) sikkerhetglass må skiftes.

Valaisinta ei saa käyttää ilman suojalasia vioitunut suojalasi on vaihdettava uuteen ennen valaisimen käyttöön ottoa.

Suitable for use indoors
Geeignet für Innenanwendung
Pour un usage interne
Adecuada para uso en interiores
Geschikt voor gebruik binnen
Lämplig för inomhusbruk



This Electrical Product
MUST be recycled.



< Millimetres >

Concord:marlin

Avis Way Newhaven East Sussex BN9 0ED
T 0870 606 2030 F 01273 512 688 email: information@concordmarlin.com



© Concord Lighting Ltd.