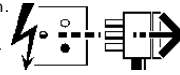
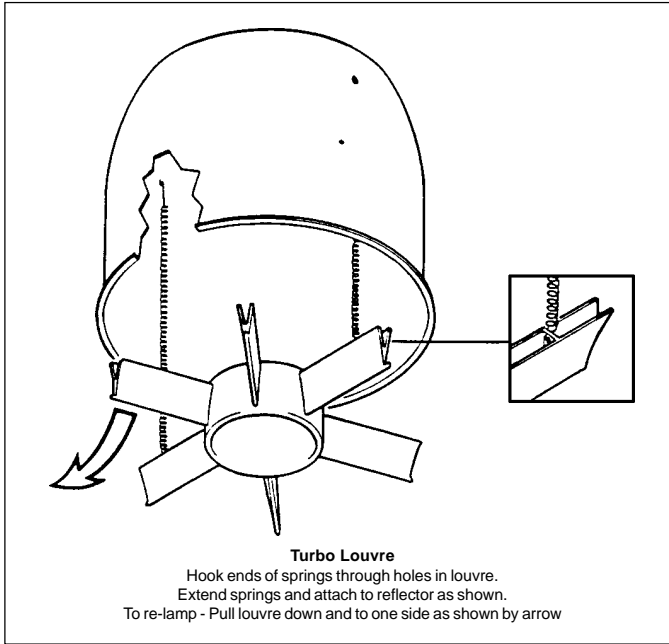


4045001 4045003 4045006 4045011 4045013
4045015 4045018 4045023 4045025 4045027
4057813 4057814 4057815 4057816 4057817
4060818 4147779 4147780 4160816 4163781
4163782

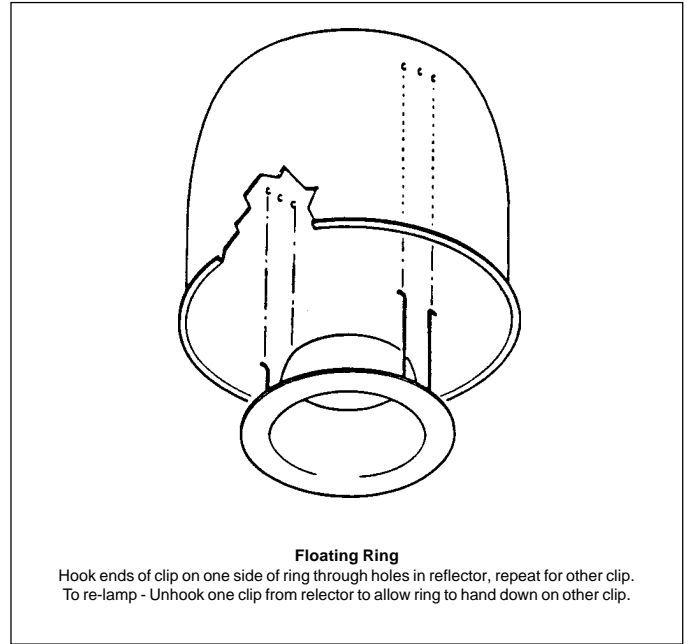
Disconnect from mains supply before replacing the fuse or the lamp.
Vor dem Einsetzen der Sicherung oder der Lampe Spannungsfreiheit herstellen.
Débrancher le secteur avant de remplacer le fusible ou l'ampoule.
Desconectar del suministro de la red, antes de realizar la sustitución del fusible o de la lámpara.
Voor het vervangen van lamp of zekering, eerst netspanning uitschakelen.
Koppla bort spänningen före byte av en säkring eller en lampa.



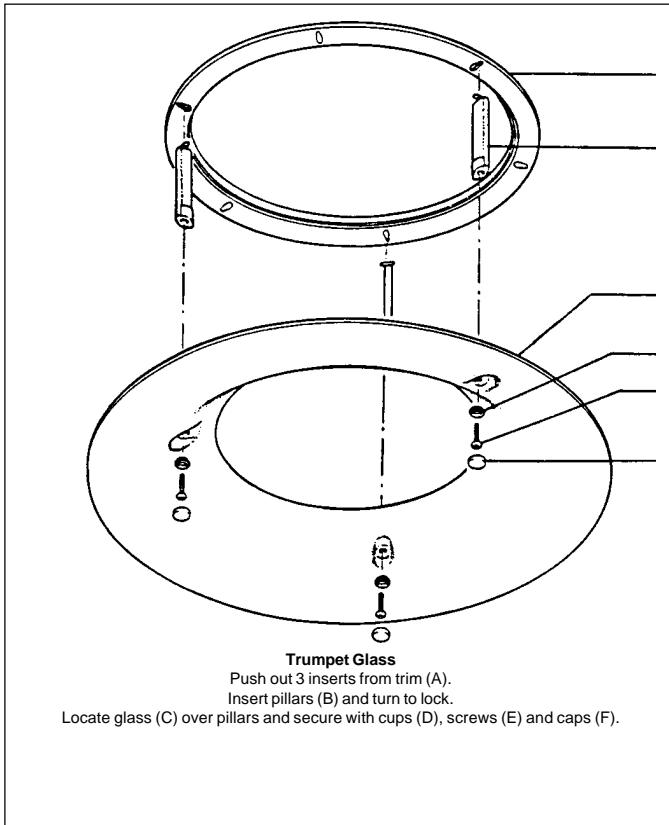
Switch Off
Abschalten
Débrancher
Desconectar
Uitschakelen
Stäng av



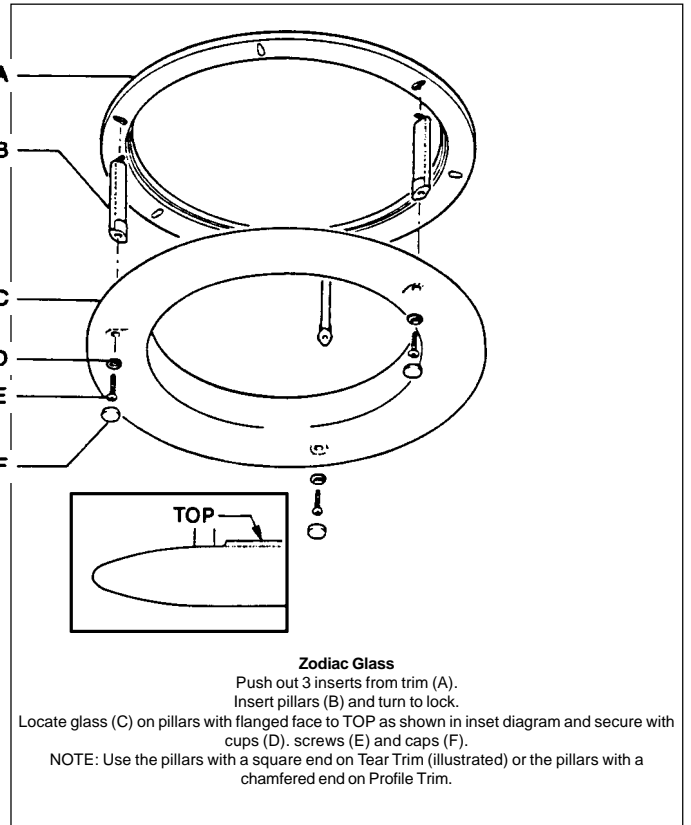
Turbo Louvre
Hook ends of springs through holes in louvre.
Extend springs and attach to reflector as shown.
To re-lamp - Pull louvre down and to one side as shown by arrow



Floating Ring
Hook ends of clip on one side of ring through holes in reflector, repeat for other clip.
To re-lamp - Unhook one clip from reflector to allow ring to hand down on other clip.



Trumpet Glass
Push out 3 inserts from trim (A).
Insert pillars (B) and turn to lock.
Locate glass (C) over pillars and secure with cups (D), screws (E) and caps (F).



Zodiac Glass
Push out 3 inserts from trim (A).
Insert pillars (B) and turn to lock.
Locate glass (C) on pillars with flanged face to TOP as shown in inset diagram and secure with cups (D), screws (E) and caps (F).
NOTE: Use the pillars with a square end on Tear Trim (illustrated) or the pillars with a chamfered end on Profile Trim.

Suitable for use indoors

Geeignet für Innenanwendung

Pour un usage interne

Adecuada para uso en interiores

Geschikt voor gebruik binnen

Lämplig för inomhusbruk



Replace any cracked protective shield.

Dieses symbol bedeutet, dass defekte Schutzgläser sofort ersetzt werden müssen.

Ce symbole indique que vous devez remplacer tout verre de protection fêlé.

Este símbolo indica que hay que 'reemplazar filtros en caso de rotura o desperfectos'.

Dette symbolet indikerer at alle ødelagte (sprukne) sikkerhetsglass må skiftes.

Valaisinta ei saa käyttää ilman suojalasiasa vioitunut suojalasi on vaihdettava uuteen ennen valaisimen käyttöön ottoa.

< Millimetres >



This Electrical Product
MUST be recycled.



01.08

Concord

Avis Way Newhaven East Sussex BN9 0ED
T 0870 606 2030 F 01273 512 688 email: information@concordmarlin.com

