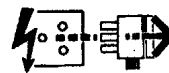


**Disconnect from mains supply before replacing the fuse or the lamp.**  
 Vor dem Einsetzen der Sicherung oder der Lampe Spannungsfreiheit herstellen.  
**Débrancher le secteur avant de remplacer le fusible ou l'ampoule.**  
 Desconectar del suministro de la red, antes de realizar la sustitución del fusible o de la lámpara.  
**Voor het vervangen van lamp of zekering, eerst netspanning uitschakelen.**  
 Koppla bort spänningen före byte av en säkring eller en lampa.



**Switch off**  
 Abschalten  
**Débrancher**  
 Desconectar  
**Uitschakelen**  
 Stäng av

This luminaire is suitable for interior wall mounting.

Installation should be carried out by a suitably qualified person in accordance with good electrical practice and the appropriate national wiring regulations.

Switch off mains electrical supply before commencing installation.

### INSTALLATION PROCEDURE

Check rating marked on label (B) conforms with mains electrical supply.

Remove fixing screws (F) and (K) to release mounting brackets (C) and (G).

Secure brackets horizontally to mounting surface using suitable fixings or to conduit box using conduit box cover plates (D) and (H) if applicable.

Connect mains supply and earth leads in respectively marked terminals into housing terminal block.

Connect earth lead from mounting bracket (C) into housing terminal block.

Secure housing (A) to mounting brackets (C) and (G) with fixing screws (F) and (K).

Check that housing (A) is square with mounting surface. If not, remove housing and adjust levelling screws (E) and (J) to suit.

Fit appropriate lamps as indicated on label (B) in lampholders.

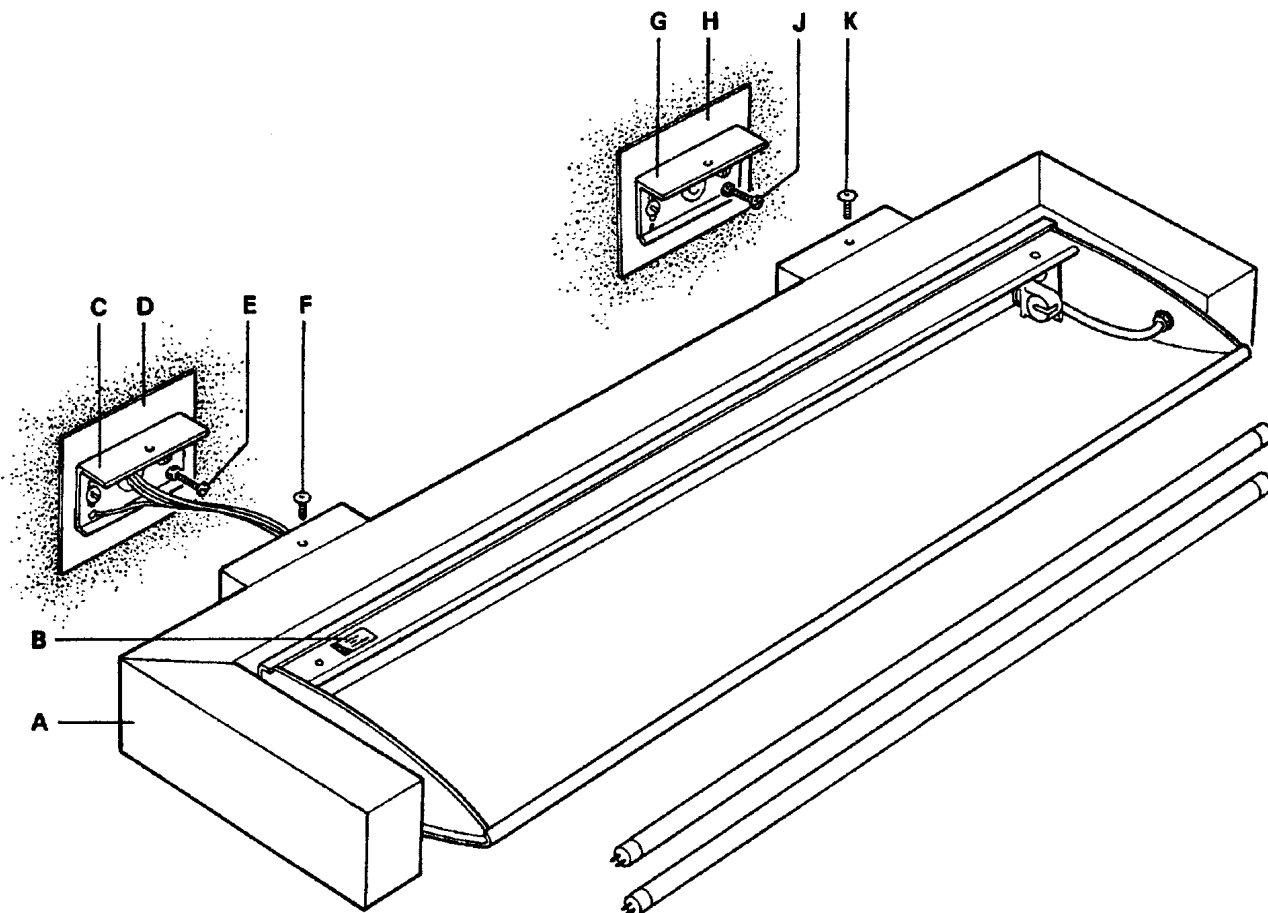
**NOTE:** Reflector housing can be slightly tilted up or down if required.

### WARNING: THIS LUMINAIRE MUST BE EARTHED

**NOTE: THIS LUMINAIRE SHOULD BE CLEANED BY USING WARM SOAPY WATER AND A SOFT CLOTH - ENSURE LUMINAIRE IS SWITCHED OFF DURING CLEANING**

**DISPOSE OF LAMPS IN ACCORDANCE WITH LAMP MANUFACTURER'S INSTRUCTIONS**

CATALOGUE NUMBER	MOUNTING BRACKET FIXING CENTRES
EDG 2395	500mm
EDG 2545	700mm
EDG 2494	1000mm



Suitable for use indoors  
 Geeignet für innenanwendung  
 Pour un usage interne

Adecuada para uso en interiores  
 Geschikt voor gebruik binnen  
 Lämpilg för inomhusbruk

This Electrical Product MUST be recycled.



# Concord:marlin

Avis Way Newhaven East Sussex BN9 0ED  
 T 0870 606 2030 F 01273 512 688 email: information@concordmarlin.com

