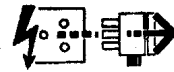
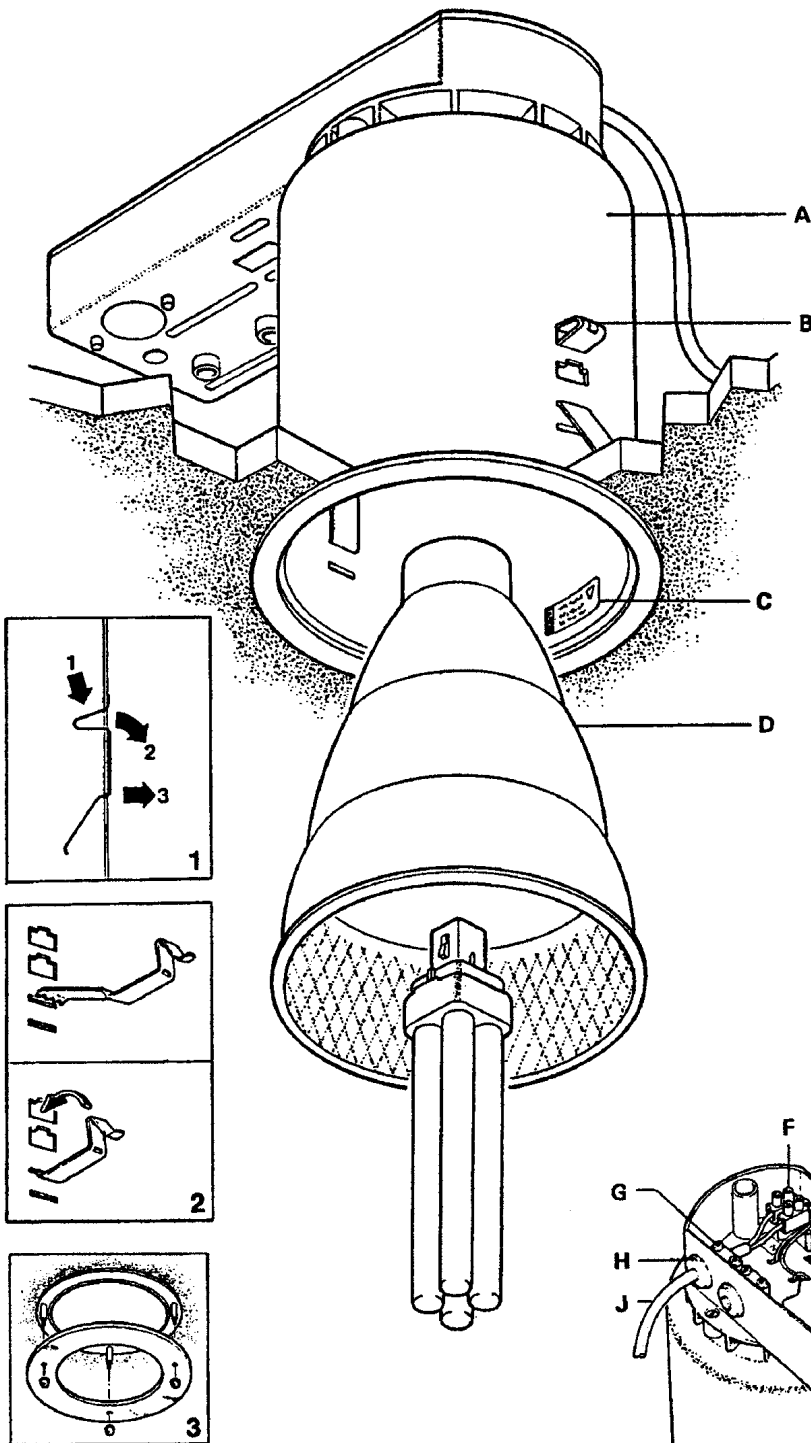


Disconnect from mains supply before replacing the fuse or the lamp.
 Vor dem Einsetzen der Sicherung oder der Lampe Spannungsfreiheit herstellen.
Débrancher le secteur avant de remplacer le fusible ou l'ampoule.
 Desconectar del suministro de la red, antes de realizar la sustitución del fusible o de la lámpara.
Voor het vervangen van lamp of zekering, eerst netspanning uitschakelen.
 Koppla bort spänningen före byte av en säkring eller en lampa.



Switch off
 Abschalten
Débrancher
 Desconectar
Uitschakelen
 Stäng av

USE SUPPLIED POLYTHENE GLOVE WHEN HANDLING REFLECTOR AND LAMPS



This luminaire is suitable for interior ceiling mounting.

Installation should be carried out by a suitably qualified person in accordance with good electrical practice and the appropriate national wiring regulations.

Switch off mains electrical supply before commencing installation.

INSTALLATION PROCEDURE

Refer to table for aperture, recess and enclosure dimensions, and prepare aperture in mounting surface.

Remove retaining knobs and glass (see Fig.3).

Unscrew reflector (D) from lampholder and check rating marked on label (C) conforms with mains electrical supply.

Remove mounting clips (B) from reflector housing (A) as shown in Fig.1.

Remove cover (E), and pass supply cable (J) through grommet (H) and cable clamp (G).

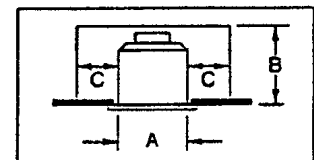
Connect cable leads in terminal block (F), tighten cable clamp screws and re-fit cover (E).

Insert housing (A) in ceiling aperture and secure with mounting clips (B) as shown in Fig.2.

Use bottom slots for 5-16mm ceilings, or top slots for 16-30mm ceilings. **NOTE:** To avoid flexing of sheet metal tiles use a 6mm backing board.

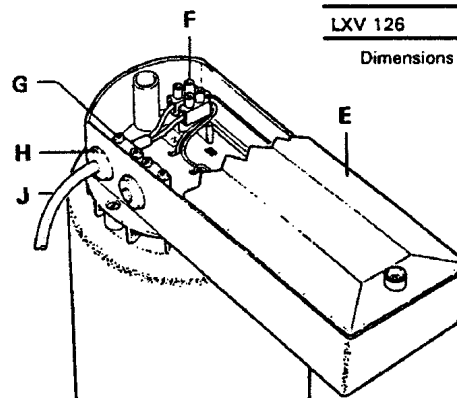
Screw reflector (D) on lampholder and fit appropriate lamp as indicated on label (C).

Replace glass and secure with retaining knobs (see Fig.3).



	A	B	C
LXV 113	155	240	75
LXV 118	180	255	75
LXV 126	205	285	75

Dimensions in millimetres



NOTE: THIS LUMINAIRE SHOULD BE CLEANED BY USING WARM SOAPY WATER AND A SOFT CLOTH - ENSURE LUMINAIRE IS SWITCHED OFF DURING CLEANING

DISPOSE OF LAMPS IN ACCORDANCE WITH LAMP MANUFACTURER'S INSTRUCTIONS

Suitable for use indoors
 Geeignet für innenanwendung
 Pour un usage interne

Adecuada para uso en interiores
 Geschikt voor gebruik binnen
 Lämplig för inomhusbruk

This Electrical Product **MUST** be recycled.

