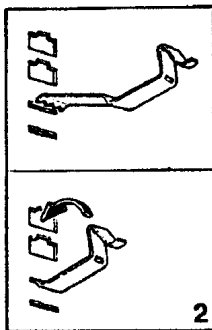
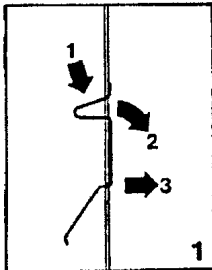
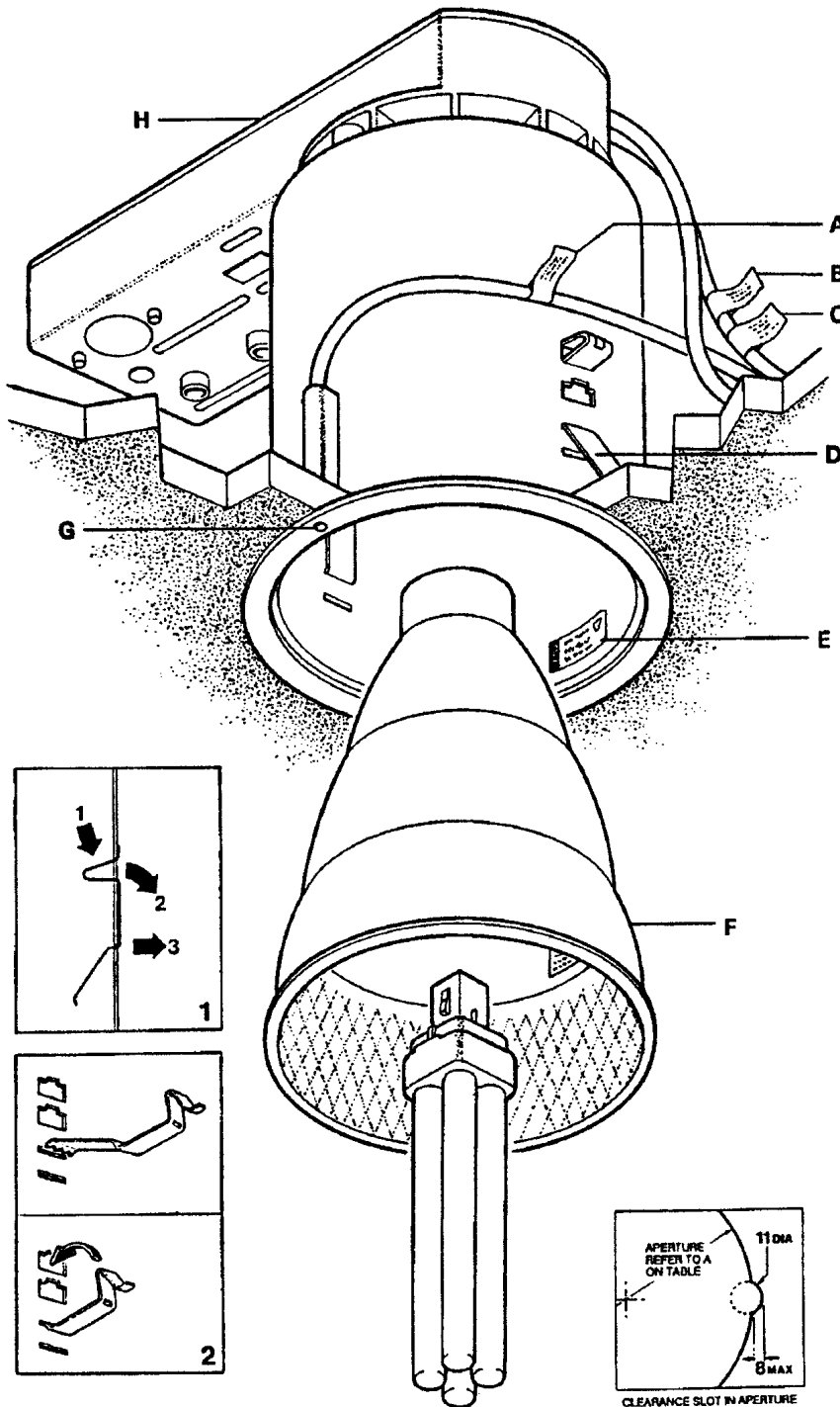


**Disconnect from mains supply before replacing the fuse or the lamp.**  
 Vor dem Einsetzen der Sicherung oder der Lampe Spannungsfreiheit herstellen.  
**Débrancher le secteur avant de remplacer le fusible ou l'ampoule.**  
 Desconectar del suministro de la red, antes de realizar la sustitución del fusible o de la lámpara.  
**Voor het vervangen van lamp of zekering, eerst netspanning uitschakelen.**  
 Koppla bort spänningen före byte av en säkring eller en lampå.



**Switch off**  
 Abschalten  
**Débrancher**  
 Desconectar  
**Uitschakelen**  
 Stäng av

**USE SUPPLIED POLYTHENE GLOVE WHEN HANDLING REFLECTOR AND LAMPS**



**NOTE: THIS LUMINAIRE SHOULD BE CLEANED BY USING WARM SOAPY WATER AND A SOFT CLOTH - ENSURE LUMINAIRE IS SWITCHED OFF DURING CLEANING**

**DISPOSE OF LAMPS IN ACCORDANCE WITH LAMP MANUFACTURER'S INSTRUCTIONS**

**WARNING: EXTREME CARE MUST BE TAKEN WHEN MAKING CLEARANCE SLOT IN APERTURE FOR LED ON SIDE OF HOUSING**

This luminaire is suitable for interior ceiling mounting.

The downlight and associated remote emergency pack provide maintained emergency operation with a 3 hour duration.

Installation should be carried out by a suitably qualified person in accordance with good electrical practice and the appropriate national wiring regulations.

Switch off mains electrical supply before commencing installation.

### INSTALLATION PROCEDURE

Refer to table for aperture, recess and enclosure dimensions, including clearance slot for LED housing and prepare aperture in mounting surface.

Unscrew reflector (F) from housing and check rating marked on label (E) conforms with mains electrical supply.

Remove mounting clips (D) from reflector housing as shown in Fig.1.

Connect leads of cables from luminaire to emergency remote pack as shown on labels (A), (B) and (C) and in Installation Instruction Leaflet 0165-5463.

Insert gear unit/housing assembly (H) in ceiling aperture and secure with mounting clips (D) as shown in Fig.2.

**NOTE:** Use bottom slots for 1-12mm ceilings, or top slots for 12-25mm ceilings.

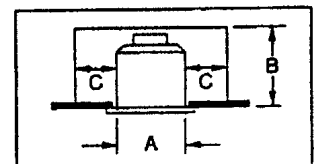
Screw reflector (F) on lampholder and fit appropriate lamp as indicated on label (E).

### TESTING

Switch on mains supply and check that charge indicator lamp (G) is on.

Leave luminaire on continuous charge for 24 hours.

Simulate mains failure, and check that lamp operates for 3 hours. If full duration of 3 hours is not achieved, repeat charge/discharge cycle as battery packs may have discharged in stock and will require conditioning.



	A	B	C
LXV 118	180	255	75
LXV 126	200	285	75

Dimensions in millimetres

Suitable for use indoors  
 Geeignet für innenanwendung  
 Pour un usage interne

Adecuada para uso en interiores  
 Geschikt voor gebruik binnen  
 Lämpligt för inomhusbruk

This Electrical Product **MUST** be recycled.

