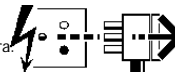


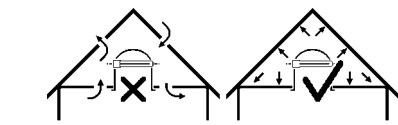
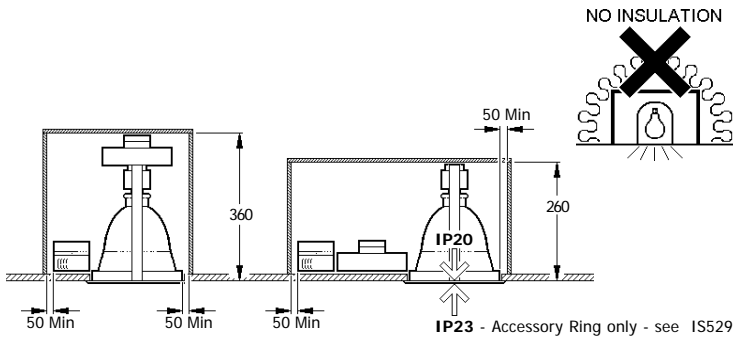
Low Loss Emergency
1 x 18W - 2018535 2018545
1 x 26W - 2018540 2018550



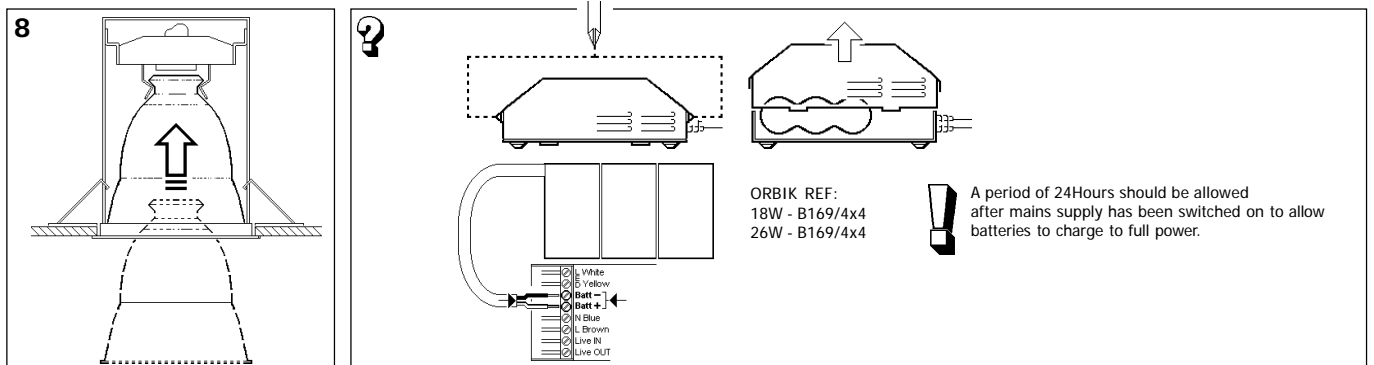
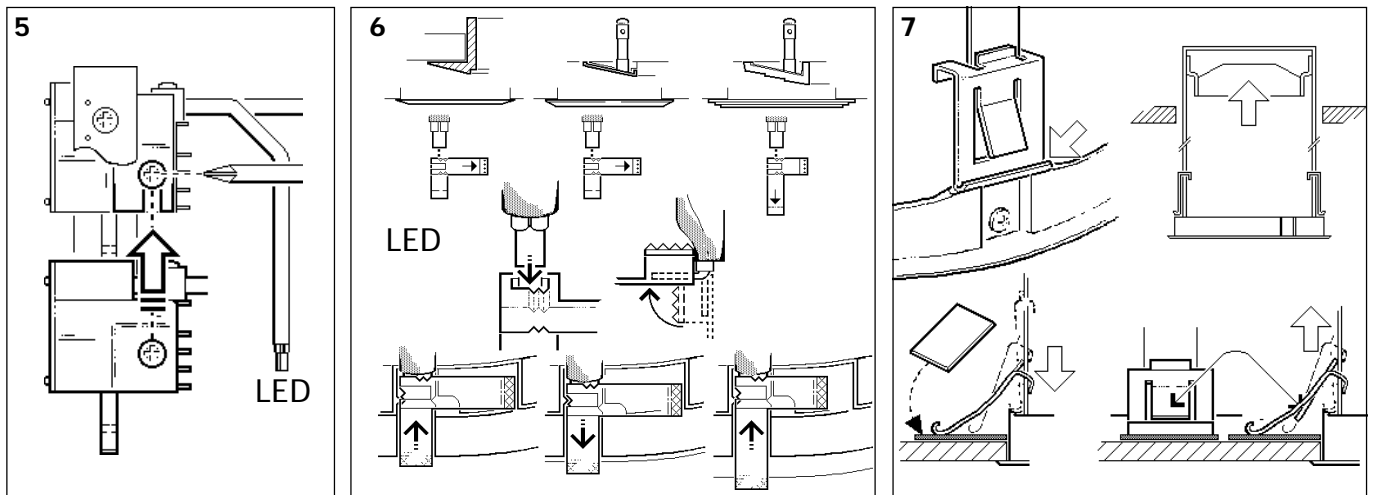
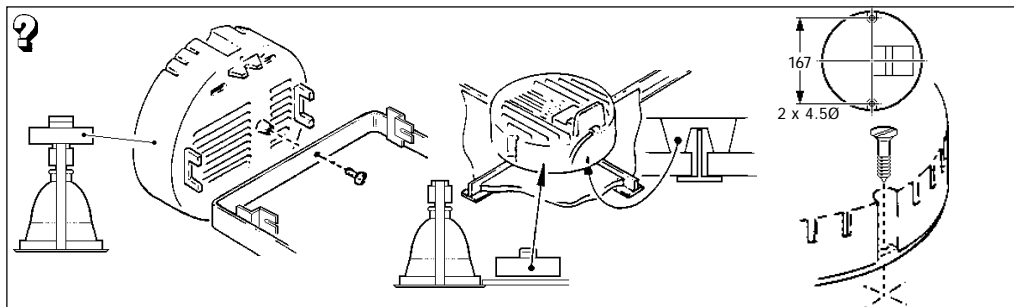
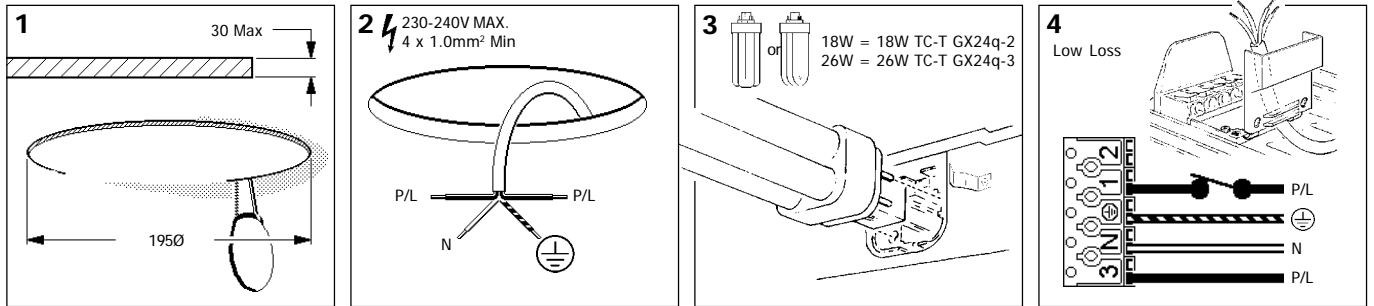
Disconnect from mains supply before replacing the fuse or the lamp.
 Vor dem Einsetzen der Sicherung oder der Lampe Spannungsfreiheit herstellen.
Débrancher le secteur avant de remplacer le fusible ou l'ampoule.
 Desconectar del suministro de la red, antes de realizar la sustitución del fusible o de la lámpara.
Voor het vervangen van lamp of zekering, eerst netspanning uitschakelen.
 Koppla bort spänningen före byte av en säkring eller en lampa.



Switch Off
 Abschalten
Couper le conector
 Desconectar
Uitschakelen
 Stäng av



IMPORTANT NOTE
 When using TC-T lamps, install in still air voids only!
WICHTIGER HINWEIS
 Bei Verwendung von TC-T Lampen, auf genügende Durchlüftung achten!
IMPORTANT
 Utiliser les lampes TC-T dans un environnement avec température stable
IMPORTANTE
 Cuando utilice lámparas TC-T instalar sólo en espacios ventilados.
LET OP
 Gebruik TC-T lampen slechts in TOCHTVRIJE ruimten.
VIKTIG INFORMATION
 Bör ej användas vid installation i ventilerade undertak



Routine Testing

Testing should be carried out in accordance with the recommendations of BS 5266.

- 1.) A monthly functional test.
- 2.) Twice yearly, a one hour duration test.
- 3.) Every three years, a full three hour duration test.
(The above tests assume a three hour system)
- 4.) Batteries shall be replaced when the luminaire no longer meets 3 hours duration performance.
- 5.) Testing could be performed by interrupting the fixed phase supply for the test duration, during which the luminaire should remain lit.

To assist with this testing, a test record chart is supplied below. The test engineer should sign and date each test.

If the charge indicator (LED) is unlit, this signifies a fault. To increase the chance of a fault being reported between monthly tests, it is advisable that the occupants are made aware of the purpose of the indicator.

This module should not be modified or repaired by any person other than those nominated by the manufacturer. Any unauthorised modifications may render the module unsafe and will invalidate our warranty and conformance to any safety standards that may apply. The company will accept no responsibility for any modified modules, or for damage caused as a result of any modifications.

All details are given for guidance only and do not constitute a contract. We reserve the right to change the characteristics of products without notice.

TEST RECORD		Type.....	Location.....					
Month	Test		1st. Year	2nd. Year	3rd. Year	4th. Year	5th. Year	6th. Year
	1.	Functional						
	2.	Functional						
	3.	1. Hour						
	4.	Functional						
	5.	Functional						
	6.	Functional						
	7.	Functional						
	8.	Functional						
	9.	1. Hour						
		3. Hour						
	10.	Functional						
	11.	Functional						
	12.	Functional						

Suitable for use indoors
 Geeignet für Innenanwendung
Pour un usage interne
 Adecuada para uso en interiores
Geschikt voor gebruik binnen
 Lämpelig för inomhusbruk



This Electrical Product
 MUST be recycled.



< Millimetres >