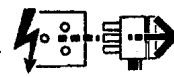


**Disconnect from mains supply before replacing the fuse or the lamp.**  
 Vor dem Einsetzen der Sicherung oder der Lampe Spannungsfreiheit herstellen.  
**Débrancher le secteur avant de remplacer le fusible ou l'ampoule.**  
 Desconectar del suministro de la red, antes de realizar la sustitución del fusible o de la lámpara.  
**Voor het vervangen van lamp of zekering, eerst netspanning uitschakelen.**  
 Koppla bort spänningen före byte av en säkring eller en lampa.



**Switch off**  
 Abschalten  
**Débrancher**  
 Desconectar  
**Uitschakelen**  
 Stäng av

### USE SUPPLIED POLYTHENE GLOVE WHEN HANDLING REFLECTOR AND LAMPS

This downlight is suitable for interior ceiling mounting and with its associate remote emergency pack provides maintained emergency operation with a 3 hour duration.

Installation should be carried out by a suitably qualified person in accordance with good electrical practice and the appropriate national wiring regulations.

Switch off mains electrical supply before commencing installation.

### INSTALLATION PROCEDURE

Refer to table for aperture, recess depth and enclosure dimensions.

Prepare aperture in mounting surface including clearance slot for LED housing as shown in diagram.

Unscrew reflector (E) from housing and check rating marked on label (D) conforms with mains electrical supply.

Remove mounting clips (C) from reflector housing as shown in Fig.1.

Connect leads of cables from downlight to remote emergency pack as shown on labels (A) and (B) and on Installation Instruction Leaflet 0165-5287.

Refer to table below and secure housing assembly (G) in ceiling aperture with mounting clips (A) as shown in Fig.2.

Screw reflector (E) on lampholder and fit appropriate lamp as indicated on label (D).

### TESTING

Switch on mains supply and check that charge indicator lamp (F) is on.

Leave luminaire on continuous charge for 24 hours.

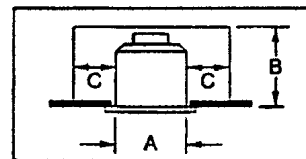
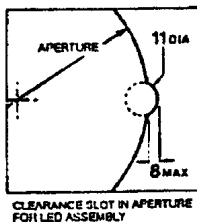
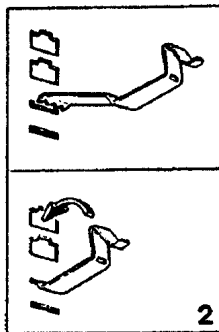
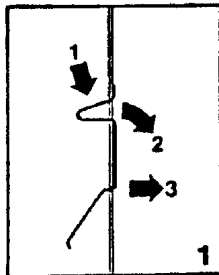
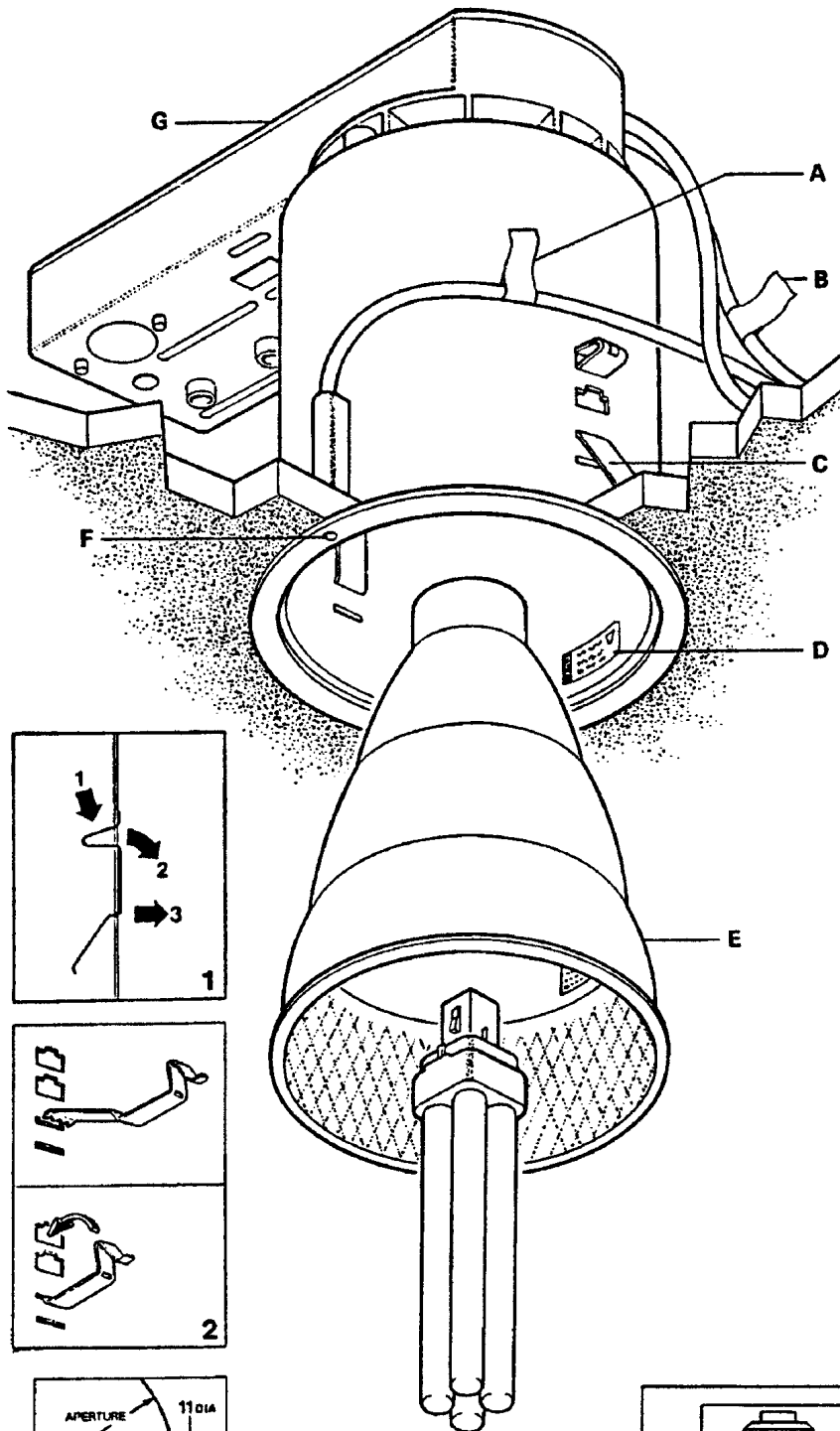
Simulate mains failure, and check that lamp operates for 3 hours. If full duration of 3 hours is not achieved, repeat charge/discharge cycle as battery packs may have discharged in stock and will require conditioning.

**WARNING: DOWNLIGHT MUST BE EARTHED**

**WARNING: DO NOT INSULATION TEST**

**NOTE: THIS LUMINAIRE SHOULD BE CLEANED BY USING WARM SOAPY WATER AND A SOFT CLOTH - ENSURE LUMINAIRE IS SWITCHED OFF DURING CLEANING**

**DISPOSE OF LAMPS IN ACCORDANCE WITH LAMP MANUFACTURER'S INSTRUCTIONS**



TRIM TYPE	CEILING THICKNESS (mm)	FIXING SLOT
FLAT	5 - 16	BOTTOM
	16 - 31	TOP
PROFILE	1 - 10	BOTTOM
	10 - 25	TOP

TO AVOID FLEXING OF SHEET METAL TILES USE A 6mm BACKING BOARD

	A	B	C
LXV 113	145	235	75
LXV 118	170	255	75
LXV 126	195	285	75

Dimensions in millimetres

Suitable for use indoors  
 Geeignet für innenanwendung  
 Pour un usage Interne

Adecuada para uso en Interiores  
 Geschikt voor gebruik binnen  
 Lämpplg för inomhusbruk

This Electrical Product MUST be recycled.



# Concord:marlin

Avis Way Newhaven East Sussex BN9 0ED  
 T 0870 606 2030 F 01273 512 688 email: information@concordmarlin.com

EN 1657  
 © Concord Lighting Ltd.