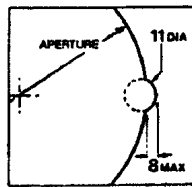
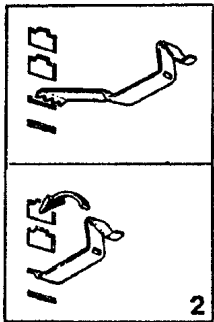
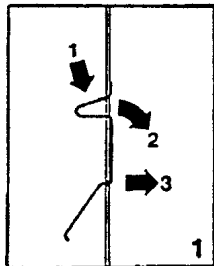
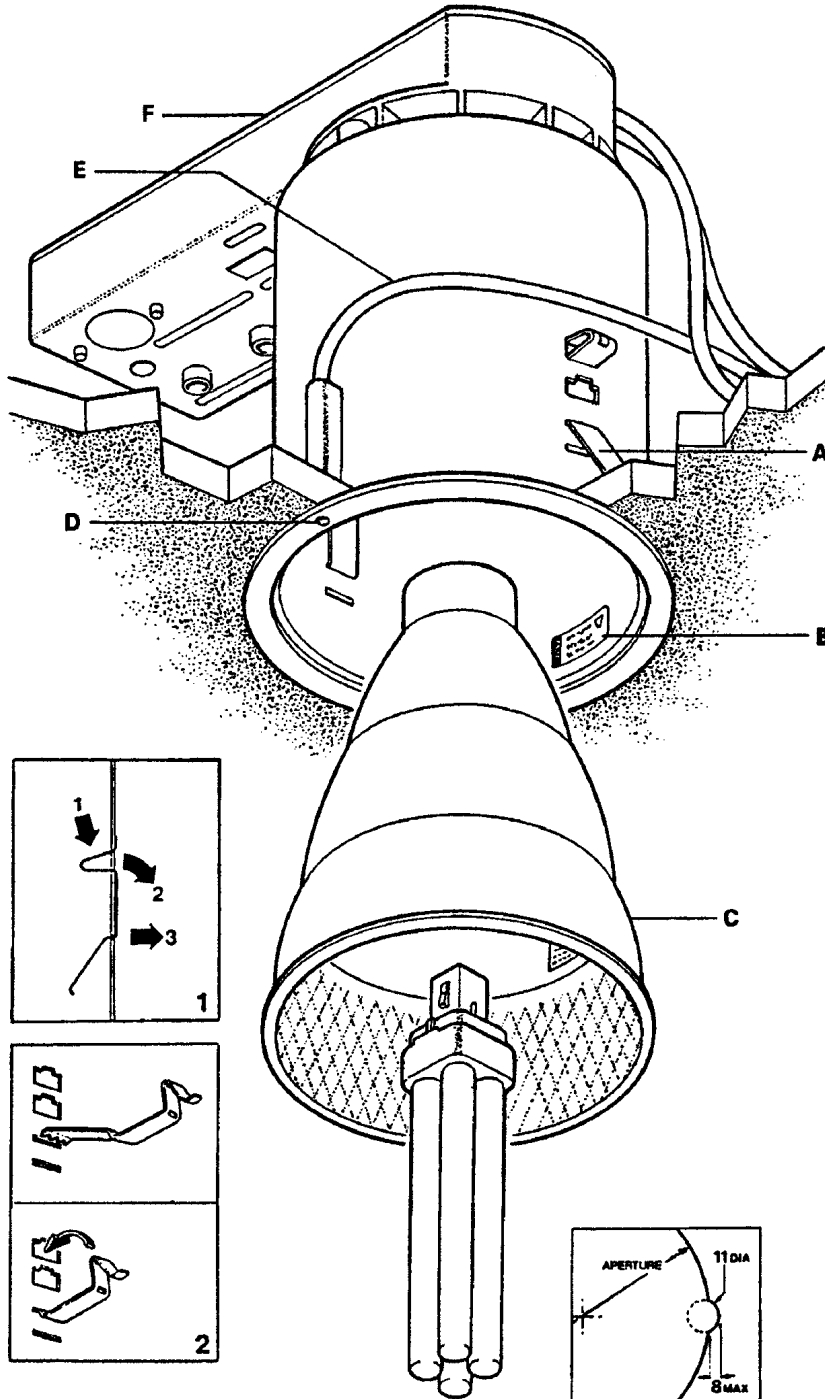


Disconnect from mains supply before replacing the fuse or the lamp.
 Vor dem Einsetzen der Sicherung oder der Lampe Spannungsfreiheit herstellen.
Débrancher le secteur avant de remplacer le fusible ou l'ampoule.
 Desconectar del suministro de la red, antes de realizar la sustitución del fusible o de la lámpara.
Voor het vervangen van lamp of zekering, eerst netspanning uitschakelen.
 Koppla bort spänningen före bytning av en säkring eller en lampa.



Switch off
 Abschalten
Débrancher
 Desconectar
Uitschakelen
 Stäng av

USE SUPPLIED POLYTHENE GLOVE WHEN HANDLING REFLECTOR AND LAMPS



WARNING: EXTREME CARE MUST BE TAKEN WHEN MAKING CLEARANCE SLOT IN APERTURE FOR LED ON SIDE OF HOUSING

This luminaire is suitable for interior ceiling mounting. It requires a 145mm diameter aperture and a recess depth of 235mm. NOTE: A minimum of 75mm is required between housing and recessed enclosure.

The downlight and associated remote emergency pack provide maintained emergency operation with a 3 hour duration.

Installation should be carried out by a suitably qualified person in accordance with good electrical practice and the appropriate national wiring regulations.

Switch off mains electrical supply before commencing installation.

INSTALLATION PROCEDURE

Prepare aperture in mounting surface including clearance slot for LED housing as shown in diagram.

Unscrew reflector (C) from housing and check rating marked on label (B) conforms with mains electrical supply.

Remove mounting clips (A) from reflector housing as shown in Fig.1.

Remove cover (L), pierce grommets (H), pass mains supply cable (J) and emergency pack cable (K) through grommets and cable clamps (G).

Connect leads of cables to respectively marked terminals in terminal block (M), tighten cable clamp screws and re-fit cover (L).

Connect leads of LED cable (E) to remote emergency pack as shown on installation instruction Leaflet 0165-3121.

Refer to table below and secure housing assembly (F) in ceiling aperture with mounting clips (A) as shown in Fig.2.

Screw reflector (C) on lampholder and fit appropriate lamp as indicated on label (B).

TESTING

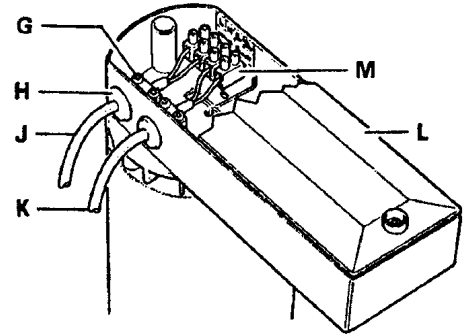
Switch on mains supply and check that charge indicator lamp (D) is on.

Leave luminaire on continuous charge for 24 hours.

Simulate mains failure, and check that lamp operates for 3 hours. If full duration of 3 hours is not achieved, repeat charge/discharge cycle as battery packs may have discharged in stock and will require conditioning.

| TRIM TYPE | CEILING THICKNESS (mm) | FIXING SLOT |
|-----------|------------------------|-------------|
| FLAT | 5 - 16 | BOTTOM |
| | 16 - 31 | TOP |
| PROFILE | 1 - 10 | BOTTOM |
| | 10 - 25 | TOP |

TO AVOID FLEXING OF SHEET METAL TILES USE A 6mm BACKING BOARD



NOTE: THIS LUMINAIRE SHOULD BE CLEANED BY USING WARM SOAPY WATER AND A SOFT CLOTH - ENSURE LUMINAIRE IS SWITCHED OFF DURING CLEANING

DISPOSE OF LAMPS IN ACCORDANCE WITH LAMP MANUFACTURER'S INSTRUCTIONS

Suitable for use indoors
 Geeignet für innenanwendung
 Pour un usage Interne

Adecuada para uso en Interiores
 Geschikt voor gebruik binnen
 Lämpig för inomhusbruk

This Electrical Product MUST be recycled.

