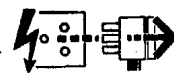


Disconnect from mains supply before replacing the fuse or the lamp.
 Vor dem Einsetzen der Sicherung oder der Lampe Spannungsfreiheit herstellen.
Débrancher le secteur avant de remplacer le fusible ou l'ampoule.
 Desconectar del suministro de la red, antes de realizar la sustitución del fusible o de la lámpara.
Voor het vervangen van lamp of zekering, eerst netspanning uitschakelen.
 Koppla bort spänningen före byte av en säkring eller en lampa.



Switch off
 Abschalten
 Débrancher
 Desconectar
 Uitschakelen
 Stäng av

Installation should be carried out by a suitably qualified person in accordance with good electrical practice and the appropriate national wiring regulations.

Switch off mains electrical supply before commencing installation.

INSTALLATION PROCEDURE

Fit supplied grommet in mounting arm (C) and pass lantern cable through grommet.

Secure lantern assembly (L) to mounting arm (C) using supplied screws (A) and washers (B).

Secure pole bracket (D) to mounting arm (C) using supplied screws, nuts and washers. (E,F,G & H)

Pass cable down pole, place complete assembly on pole, fit gasket (K) and top cap (J) and tighten all fixing screws.

NOTES:

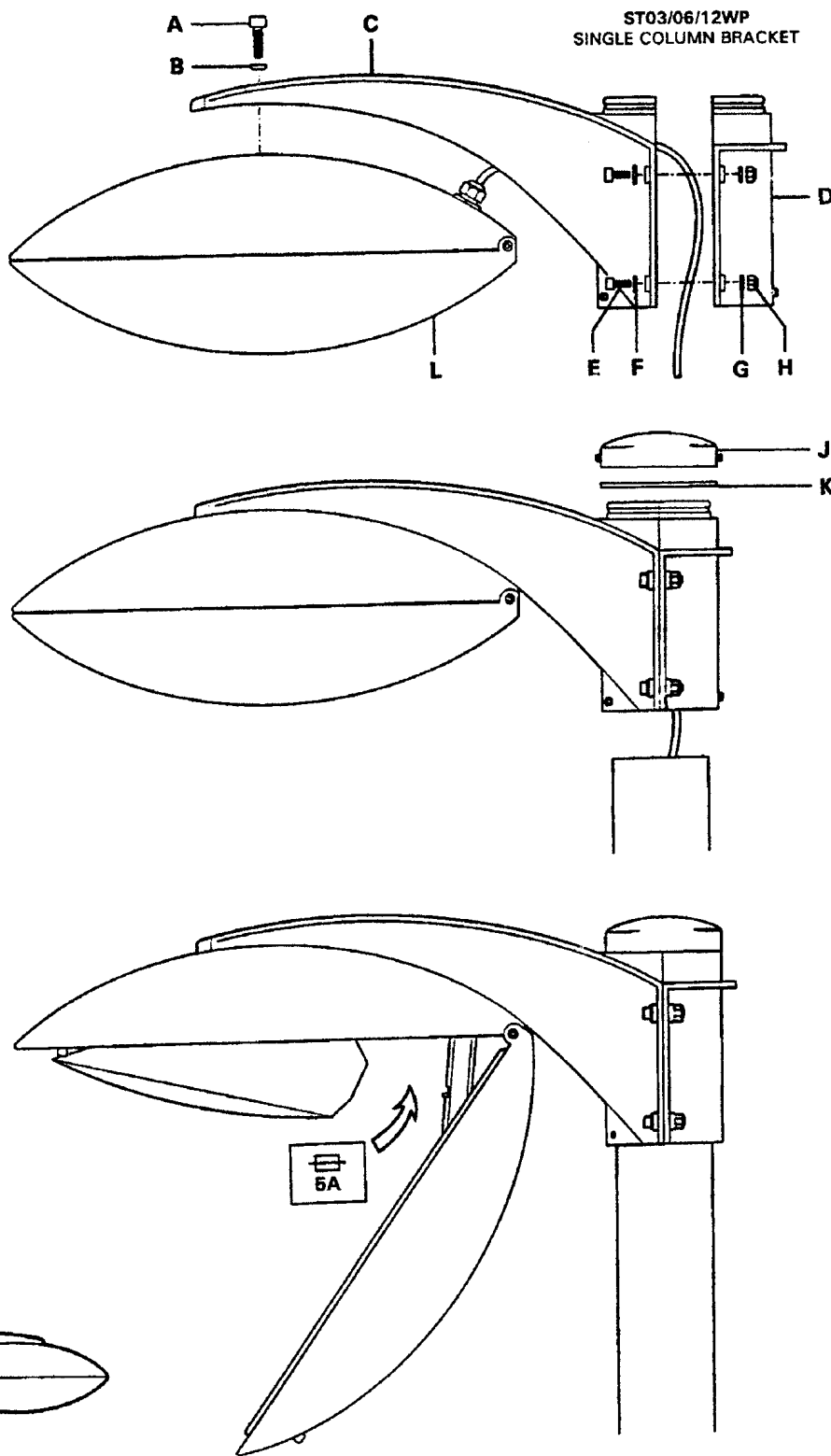
- FOR WIRING AND LAMPING DETAILS REFER TO LEAFLET 0165-5500
- THE MAXIMUM TOTAL WEIGHT OF A LANTERN AND BRACKET IS 18Kgs.

WP PARTS CHECKLIST

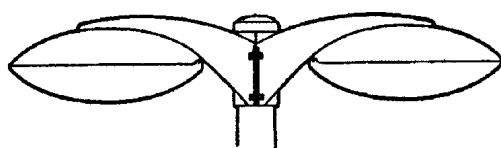
- 1 - MOUNTING ARM (C)
- 1 - POLE BRACKET (D)
- 1 - GROMMET
- 2 - SCREWS (A)
- 2 - WASHERS (B)
- 4 - SCREWS (E)
- 8 - WASHERS (F) (G)
- 4 - NUTS (H)
- 1 - CAP SEAL RING (K)
- 1 - CAP (J)

WPT PARTS CHECKLIST

- 2 - MOUNTING ARMS (C)
- 2 - GROMMETS
- 4 - SCREWS (A)
- 4 - WASHERS (B)
- 4 - SCREWS (E)
- 8 - WASHERS (F) (G)
- 4 - NUTS (H)
- 1 - CAP SEAL RING (K)
- 1 - CAP (J)



ST03/06/12WPT
TWIN COLUMN BRACKET



Suitable for use indoors
 Geeignet für Innenanwendung
 Pour un usage interne

Adecuada para uso en interiores
 Geschikt voor gebruik binnen
 Lämpig för inomhusbruk

This Electrical Product **MUST** be recycled.



Concord:marlin

Avis Way Newhaven East Sussex BN9 0ED
 T 0870 606 2030 F 01273 512 688 email: information@concordmarlin.com

