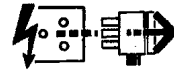


**WARNING**  
DO NOT USE AMALGAM LAMPS

**Disconnect from mains supply before replacing the fuse or the lamp.**  
Vor dem Einsetzen der Sicherung oder der Lampe Spannungsfreiheit herstellen.  
**Débrancher le secteur avant de remplacer le fusible ou l'ampoule.**  
Desconectar del suministro de la red, antes de realizar la sustitución del fusible o de la lámpara.  
**Voor het vervangen van lamp of zekering, eerst netspanning uitschakelen.**  
Koppia bort spänningen före byte av en säkring eller en lampa.



**Switch off**  
Abschalten  
**Débrancher**  
Desconectar  
**Uitschakelen**  
Stäng av

This luminaire is suitable for interior wall or ceiling mounting.

Installation should be carried out by a suitably qualified person in accordance with good electrical practice and the appropriate national wiring regulations.

Switch off mains electrical supply before commencing installation.

**INSTALLATION PROCEDURE**

Check rating marked on label (B) conforms with mains electrical supply.

Prepare suitable fixings in mounting surface at 200mm centres.

Remove colour filter (C) if applicable. **NOTE:** Flex filter in centre to facilitate removal.

Fit supplied grommets (G) in housing (A).

Pass mains supply leads through grommets.

Secure gallery (A) to mounting surface

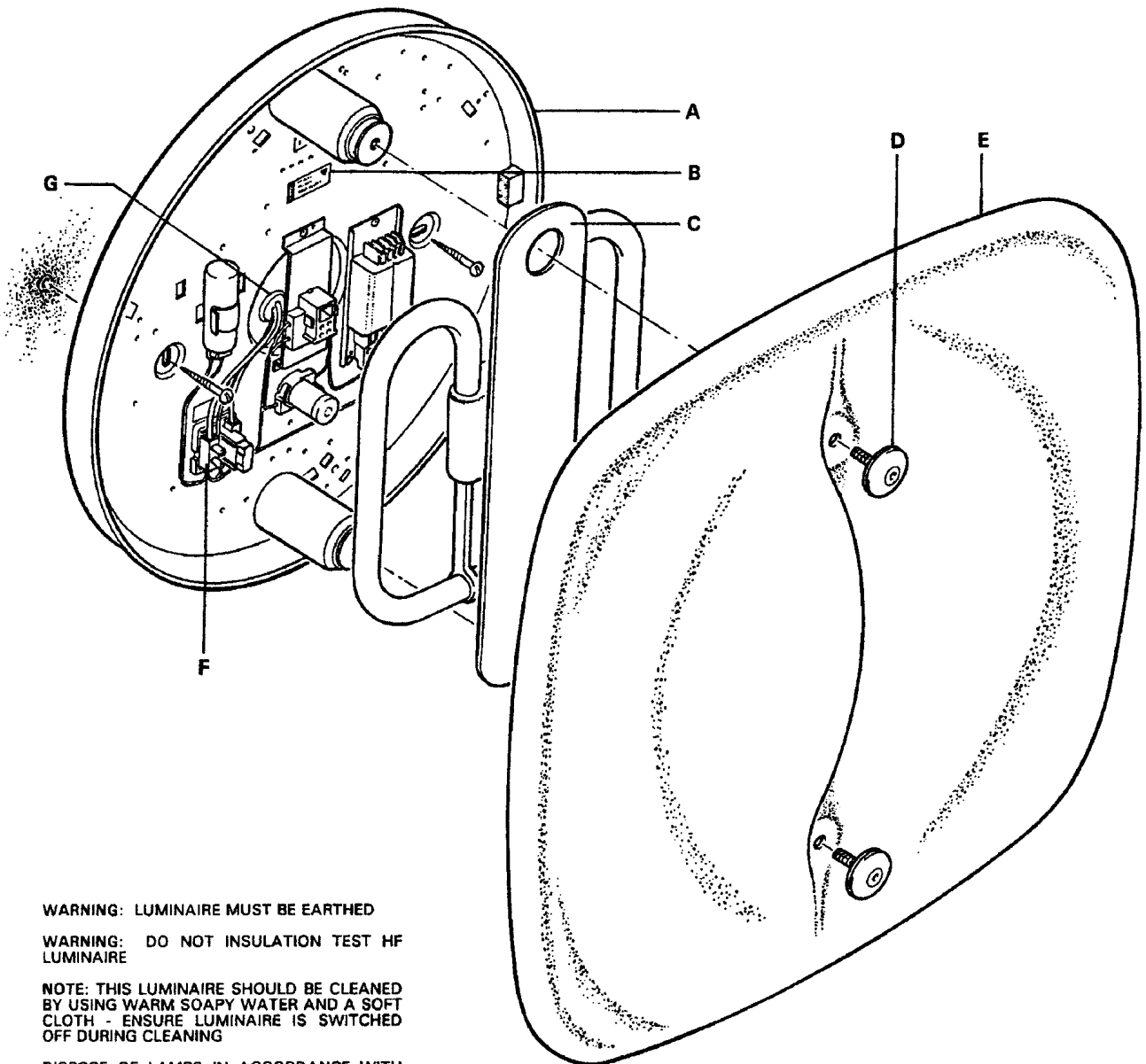
using suitable round headed screws.

Cover line and neutral mains supply leads with supplied silicone sleeving and connect supply leads and earth lead in respectively marked terminals in 3A fused terminal block (F).

Fit appropriate lamp as indicated on label (B).

Re-fit colour filter (C) if applicable. **NOTE:** Remove protective backing from colour filter.

Secure diffuser (E) in position with fixings (D).



**WARNING: LUMINAIRE MUST BE EARTHED**

**WARNING: DO NOT INSULATION TEST HF LUMINAIRE**

**NOTE: THIS LUMINAIRE SHOULD BE CLEANED BY USING WARM SOAPY WATER AND A SOFT CLOTH - ENSURE LUMINAIRE IS SWITCHED OFF DURING CLEANING**

**DISPOSE OF LAMPS IN ACCORDANCE WITH LAMP MANUFACTURER'S INSTRUCTIONS**

Suitable for use indoors      Adecuada para uso en Interiores  
Geeignet für innenanwendung      Geschikt voor gebruik binnen  
Pour un usage Interne      Lämpplig för Inomhusbruk

This Electrical Product MUST be recycled.



**Concord:marlin**

Avis Way Newhaven East Sussex BN9 0ED  
T 0870 606 2030 F 01273 512 688 email: information@concordmarlin.com

