

Disconnect from mains supply before replacing the fuse or the lamp.
 Vor dem Einsetzen der Sicherung oder der Lampe Spannungsfreiheit herstellen.
Débrancher le secteur avant de remplacer le fusible ou l'ampoule.
 Desconectar del suministro de la red, antes de realizar la sustitución del fusible o de la lámpara.
Voor het vervangen van lamp of zekering, eerst netspanning uitschakelen.
 Koppla bort spänningen före byte av en säkring eller en lampa.



Switch off
 Abschalten
 Débrancher
 Desconectar
 Uitschakelen
 Stäng av

Installation should be carried out by a suitably qualified person in accordance with good electrical practice and the appropriate national wiring regulations.

Switch off mains electrical supply before commencing installation.

INSTALLATION PROCEDURE

Enter installation date on battery pack label (H).

Secure battery pack/module assembly (G) in position in column base with battery pack clear of ground.

Secure fuse box (N) in position and fit 5A fuses (P).

Connect leads of mains supply cable (L) in connection box.

Pass cables from cross arm down pole and secure cross arm on pole by tightening the 6 locking screws (R).

Connect leads of cables (A), (B) and (C) from cross arm and connection cable (M) as shown in wiring diagram below.

Fit lanterns as described in Installation Instruction Leaflet supplied with Skyline Lantern.

Fig. 1. Emergency downlight - Remove cover (A), connect cable leads in terminal block (C) and refit cover. Secure downlight (D) in column with locking screws (B). Fit lamp and circlip (E).

Insert mains plug (K) and battery plug (D) in top of module.

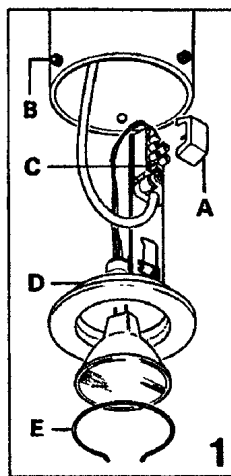
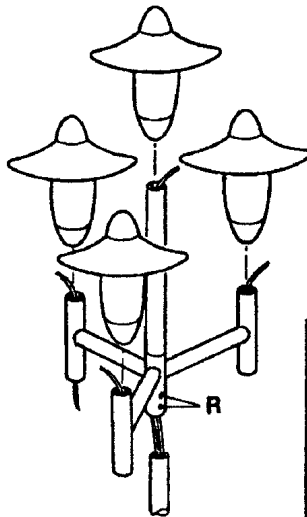
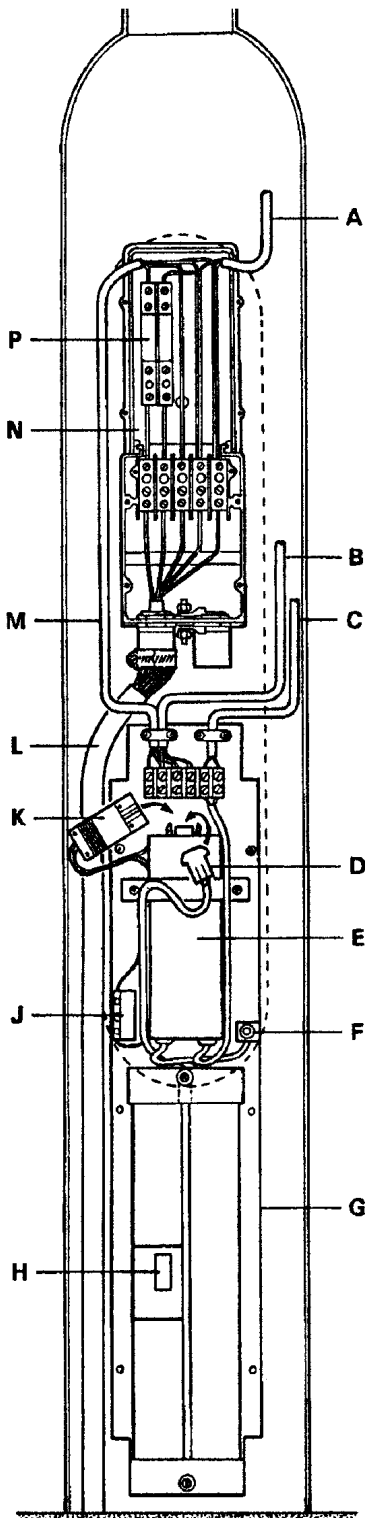
NOTE: Battery pack/module assembly is protected by 3A fuse (J).

TESTING

Switch on mains supply and check that charge indicator lamp (F) is on.

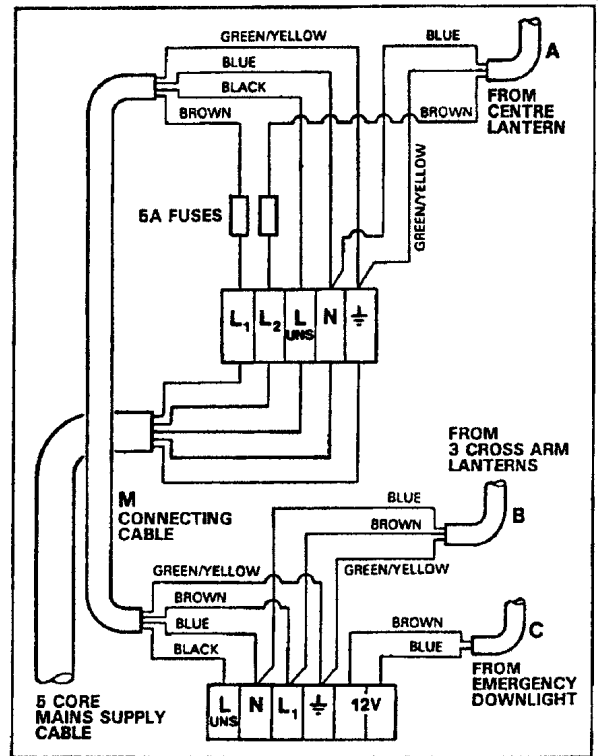
Leave luminaire on continuous charge for 24 hours.

Simulate mains failure, and check that lamp operates for 1 hour. If full duration of 1 hour is not achieved, repeat charge/discharge cycle as battery packs may have discharged in stock and will require conditioning.



NOTE: THIS LUMINAIRE SHOULD BE CLEANED BY USING WARM SOAPY WATER AND A SOFT CLOTH - ENSURE LUMINAIRE IS SWITCHED OFF DURING CLEANING

DISPOSE OF LAMPS IN ACCORDANCE WITH LAMP MANUFACTURER'S INSTRUCTIONS



Suitable for use indoors
 Geeignet für innenanwendung
 Pour un usage interne

Adecuada para uso en interiores
 Geschikt voor gebruik binnen
 Lämpfig för inomhusbruk

This Electrical Product MUST be recycled.



Concord:marlin

Avis Way Newhaven East Sussex BN9 0ED
 T 0870 606 2030 F 01273 512 688 email: information@concordmarlin.com

FM1687
 © Concord Lighting Ltd.