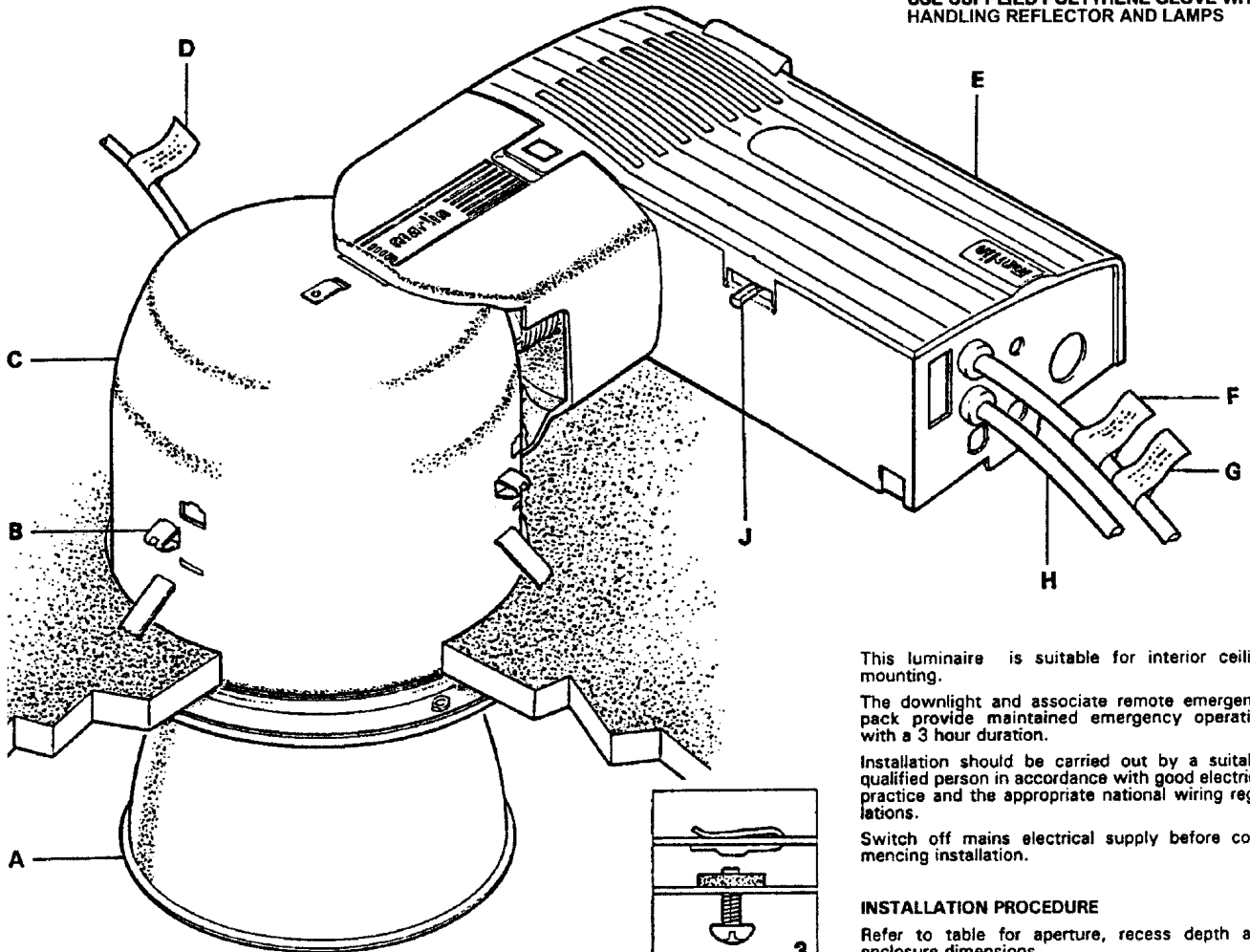


Disconnect from mains supply before replacing the fuse or the lamp.
 Vor dem Einsetzen der Sicherung oder der Lampe Spannungsfreiheit herstellen.
Débrancher le secteur avant de remplacer le fusible ou l'ampoule.
 Desconectar del suministro de la red, antes de realizar la sustitución del fusible o de la lámpara.
Voor het vervangen van lamp of zekering, eerst netspanning uitschakelen.
 Koppla bort spänningen före byte av en säkring eller en lampa.

Switch off
 Abschalten
 Débrancher
 Desconectar
 Uitschakelen
 Stäng av

USE SUPPLIED POLYTHENE GLOVE WHEN HANDLING REFLECTOR AND LAMPS



This luminaire is suitable for interior ceiling mounting.

The downlight and associate remote emergency pack provide maintained emergency operation with a 3 hour duration.

Installation should be carried out by a suitably qualified person in accordance with good electrical practice and the appropriate national wiring regulations.

Switch off mains electrical supply before commencing installation.

INSTALLATION PROCEDURE

Refer to table for aperture, recess depth and enclosure dimensions.

Prepare aperture including slot for LED housing in mounting surface.

Remove reflector (A) and check that voltage rating marked on label in housing (C) near lampholder/s conforms with mains electrical supply.

Remove mounting clips (B) as shown in Fig.1.

Connect leads of cables from downlight as shown on labels (D), (F) and (G) and on Emergency Remote Box Installation Leaflet 0165-5322.

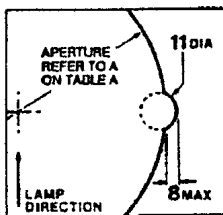
Refer to table below and secure housing/gear assembly (C) in ceiling aperture with mounting clips as shown in Fig.2.

Fit reflector (A) in reflector housing (C). **NOTE:** Ensure that rubber washer is positioned on end of screw as shown in Fig.3.

Fit appropriate lamp/s as indicated on label in housing (C) near lampholder/s.

NOTE: Downlight is protected by a 3A fuse (J).

NOTE: Starter switches are fitted in gear housing.



CLEARANCE SLOT IN APERTURE FOR LED ASSEMBLY

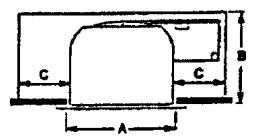
WARNING: EXTREME CARE MUST BE TAKEN WHEN MAKING CLEARANCE SLOT IN APERTURE FOR LED ON SIDE OF HOUSING

WARNING: LUMINAIRE MUST BE EARTHED

WARNING: ANY EXTERNAL CABLE OR WIRING MUST NOT COME INTO CONTACT WITH GEAR UNIT UNLESS HEAT RESISTANT UP TO 85°C

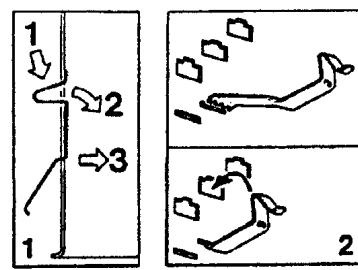
NOTE: LUMINAIRE SHOULD BE CLEANED BY USING WARM SOAPY WATER AND A SOFT CLOTH - ENSURE LUMINAIRE IS SWITCHED OFF DURING CLEANING

DISPOSE OF LAMPS IN ACCORDANCE WITH LAMP MANUFACTURER'S INSTRUCTIONS



	A	B	C
RXH 118/218	200	148	75
RXH 126/226	225	159	75

Dimensions in millimetres



TRIM TYPE	CEILING THICKNESS (mm)	FIXING SLOT
FLAT	5 - 16	BOTTOM
	16 - 31	TOP
PROFILE	1 - 10	BOTTOM
	10 - 25	TOP

TO AVOID FLEXING OF SHEET METAL TILES USE A 6mm BACKING BOARD

Suitable for use indoors
 Geeignet für innenanwendung
 Pour un usage Interne

Adecuada para uso en Interiores
 Geschikt voor gebruik binnen
 Lämpilg för inomhusbruk

This Electrical Product MUST be recycled.