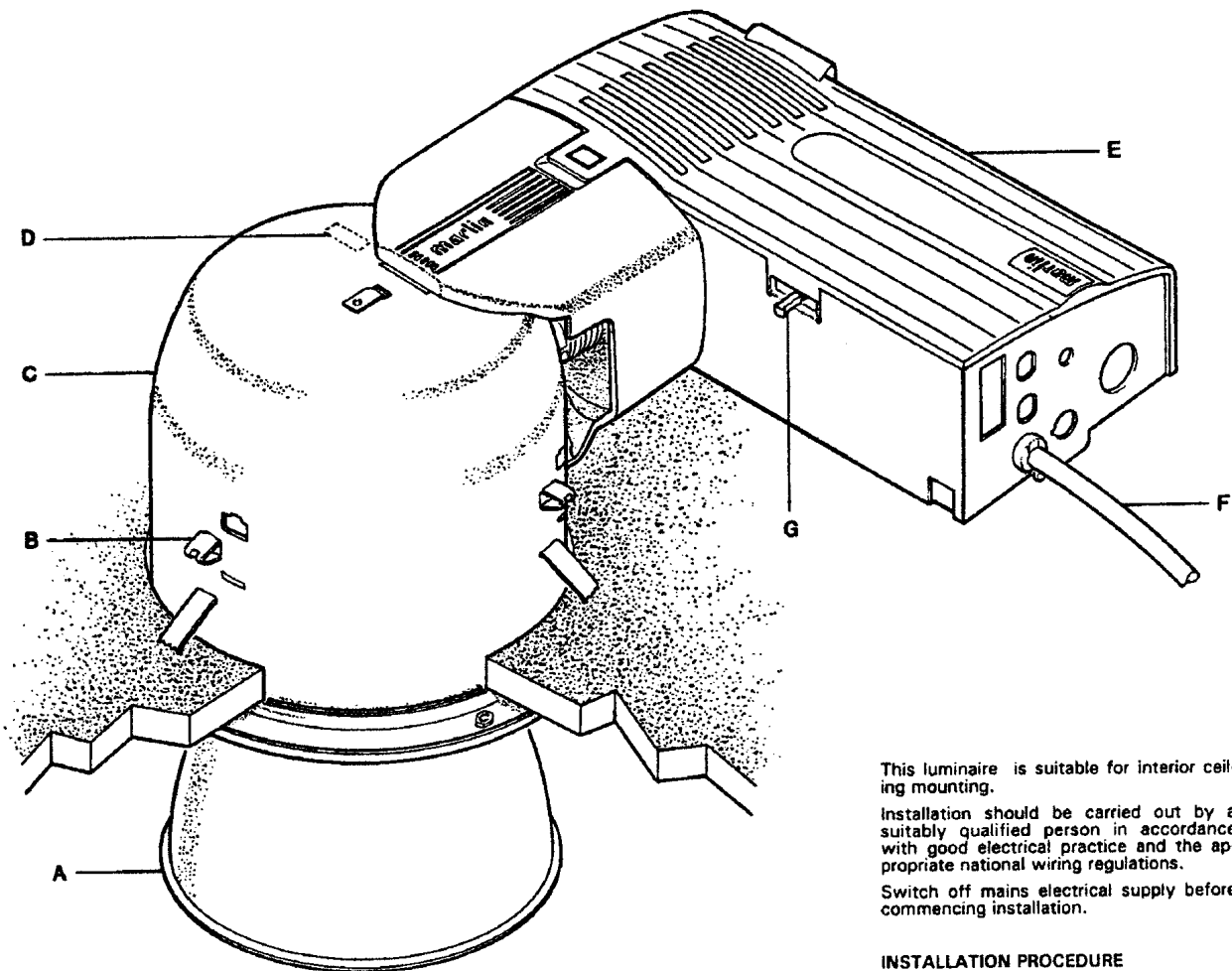


Disconnect from mains supply before replacing the fuse or the lamp.  
 Vor dem Einsetzen der Sicherung oder der Lampe Spannungsfreiheit herstellen.  
**Débrancher le secteur avant de remplacer le fusible ou l'ampoule.**  
 Desconectar del suministro de la red, antes de realizar la sustitución del fusible o de la lámpara.  
**Voor het vervangen van lamp of zekering, eerst netspanning uitschakelen.**  
 Koppla bort spänningen före byte av en säkring eller en lampa.



Switch off  
 Abschalten  
**Débrancher**  
 Desconectar  
**Uitschakelen**  
 Stäng av

**USE SUPPLIED POLYTHENE GLOVE WHEN HANDLING REFLECTOR AND LAMPS**



This luminaire is suitable for interior ceiling mounting.  
 Installation should be carried out by a suitably qualified person in accordance with good electrical practice and the appropriate national wiring regulations.  
 Switch off mains electrical supply before commencing installation.

**INSTALLATION PROCEDURE**

Refer to table for aperture and recess dimensions.

Prepare aperture in mounting surface.

Remove reflector (A) and check voltage rating marked on label (D) conforms with mains electrical supply.

Remove mounting clips as shown in Fig. 1.

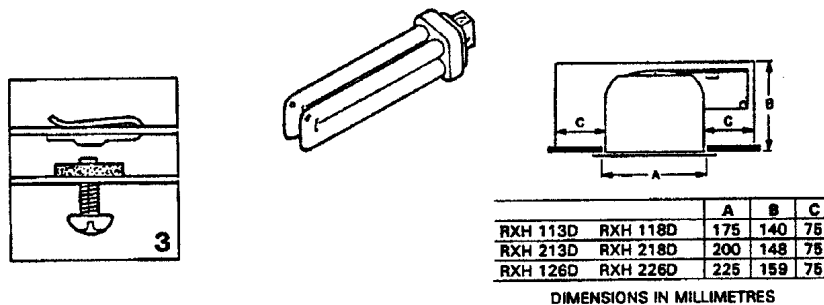
Connect leads of supply cable (F) to mains supply.

Refer to table below and secure housing (C) in ceiling aperture with mounting clips (B) as shown in Fig. 2.

Fit reflector (A) in reflector housing (C). **NOTE:** Ensure that rubber washer is positioned on end of screw as shown in Fig. 3.

Fit appropriate lamp/s as indicated on label (D).

**NOTE:** Downlight is protected by a 3A fuse (G).

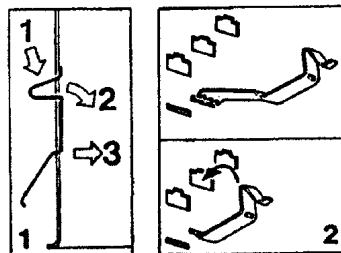


**WARNING: LUMINAIRE MUST BE EARTHED**

**WARNING: ANY EXTERNAL CABLE OR WIRING MUST NOT COME INTO CONTACT WITH GEAR UNIT UNLESS HEAT RESISTANT UP TO 85 DEGREES CENTIGRADE**

**NOTE: LUMINAIRE SHOULD BE CLEANED BY USING WARM SOAPY WATER AND A SOFT CLOTH - ENSURE LUMINAIRE IS SWITCHED OFF DURING CLEANING**

**DISPOSE OF LAMPS IN ACCORDANCE WITH LAMP MANUFACTURER'S INSTRUCTIONS**



TRIM TYPE	CEILING THICKNESS (mm)	FIXING SLOT
FLAT	5 - 16	BOTTOM
	16 - 31	TOP
PROFILE	1 - 10	BOTTOM
	10 - 25	TOP

**TO AVOID FLEXING OF SHEET METAL TILES USE A 6mm BACKING BOARD**

Suitable for use indoors  
 Geeignet für innenanwendung  
 Pour un usage Interne

Adecuada para uso en Interiores  
 Geschikt voor gebruik binnen  
 Lämpig för inomhusbruk

This Electrical Product MUST be recycled.

