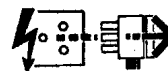


Disconnect from mains supply before replacing the fuse or the lamp.
 Vor dem Einsetzen der Sicherung oder der Lampe Spannungsfreiheit herstellen.
Débrancher le secteur avant de remplacer le fusible ou l'ampoule.
 Desconectar del suministro de la red, antes de realizar la sustitución del fusible o de la lámpara.
Voor het vervangen van lamp of zekering, eerst netspanning uitschakelen.
 Koppla bort spänningen före byte av en säkring eller en lampa.



Switch off
 Abschalten
 Débrancher
 Desconectar
 Uitschakelen
 Stäng av

This luminaire is suitable for interior wall or ceiling mounting and is designed for maintained emergency operation with a duration of 3 hours.

Installation should be carried out by a suitably qualified person in accordance with good electrical practice and the appropriate national wiring regulations.

Switch off mains electrical supply before commencing installation.

INSTALLATION PROCEDURE

Remove diffuser (C) as shown.

Check rating marked on label (J) conforms with mains electrical supply.

Prepare suitable fixings in mounting surface for outrigger holes. **NOTE:** Gallery (A) is marked TOP if wall mounting.

Enter supply connection date on battery pack label (H).

Fit supplied grommets in housing (A).

Pass mains supply leads and unswitched live mains supply lead through grommets.

Secure gallery (A) to mounting surface using suitable round headed screws.

Cover line & neutral mains supply leads and unswitched live mains supply lead with supplied silicone sleeving.

Connect leads in respectively marked terminals in terminal block (E).

Fit appropriate lamp as indicated on label (J).

Connect battery socket (G) and plug (F).

Fit diffuser (C) as shown.

NOTE: Luminaire is protected by 1A fuse (D).

TESTING

Switch on mains supply and check that charge indicator lamp (B) is on.

Leave luminaire on continuous charge for 24 hours.

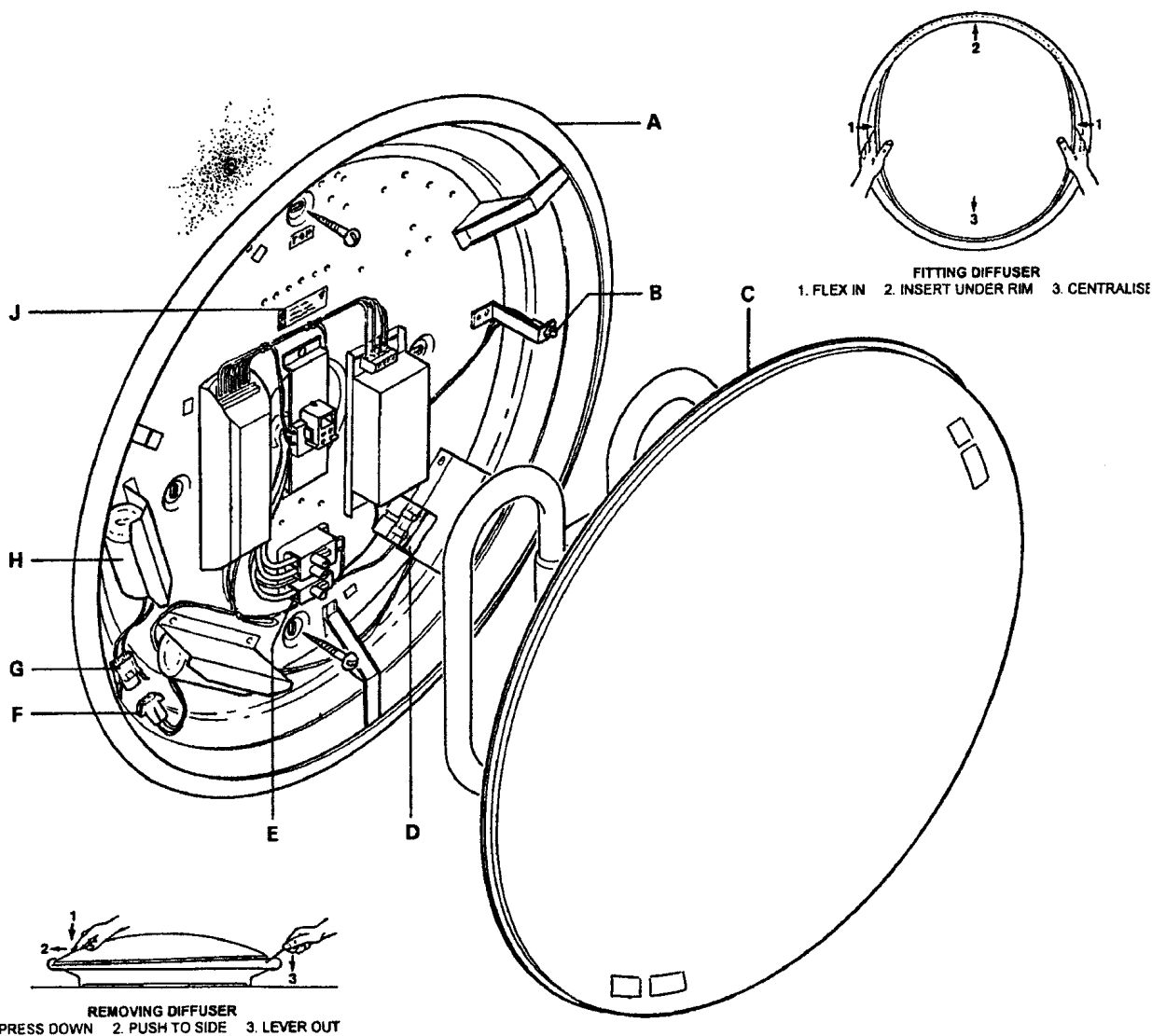
Simulate mains failure, and check that lamp operates for 3 hours. If full duration of 3 hours is not achieved, repeat charge/discharge cycle as battery packs may have discharged in stock and will require conditioning.

WARNING: LUMINAIRE MUST BE EARTHED.

WARNING: DO NOT INSULATION TEST

NOTE: THIS LUMINAIRE SHOULD BE CLEANED BY USING WARM SOAPY WATER AND A SOFT CLOTH - ENSURE LUMINAIRE IS SWITCHED OFF DURING CLEANING

DISPOSE OF LAMPS IN ACCORDANCE WITH LAMP MANUFACTURER'S INSTRUCTIONS



Suitable for use indoors
 Geeignet für innenanwendung
 Pour un usage interne

Adecuada para uso en interiores
 Geschikt voor gebruik binnen
 Lämpilg för inomhusbruk

This Electrical Product **MUST** be recycled.



Concord:marlin

Avis Way Newhaven East Sussex BN9 0ED
 T 0870 606 2030 F 01273 512 688 email: information@concordmarlin.com

