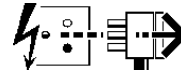
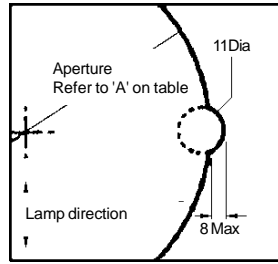
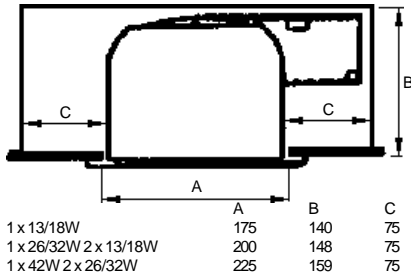


4044713 4044715 4044743 4044745 4044773
 4044775 4044793 4044808 4044826 4044827
 4044848 4044849 4044877 4044879 4044897
 4057711 4057712 4057724 4057725 4057786
 4057787 4057794 4147638 4147669 4147689
 4147729 4147731 4147734 4147757 4158039
 4158040 4158043 4158074 4161195 4161594
 4161826 4162114 4163012 4163528 4163576
 4163578 4163580 4164303 4164377 4164683
 4164860 4164879 4164898 4164934

Disconnect from mains supply before replacing the fuse or the lamp.
 Vor dem Einsetzen der Sicherung oder der Lampe Spannungsfreiheit herstellen.
Débrancher le secteur avant de remplacer le fusible ou l'ampoule.
 Desconectar del suministro de la red, antes de realizar la sustitución del fusible o de la lámpara.
Voor het vervangen van lamp of zekering, eerst netspanning uitschakelen.
 Koppla bort spänningen före byte av en säkring eller en lampa.

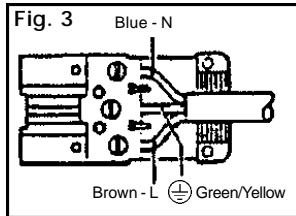
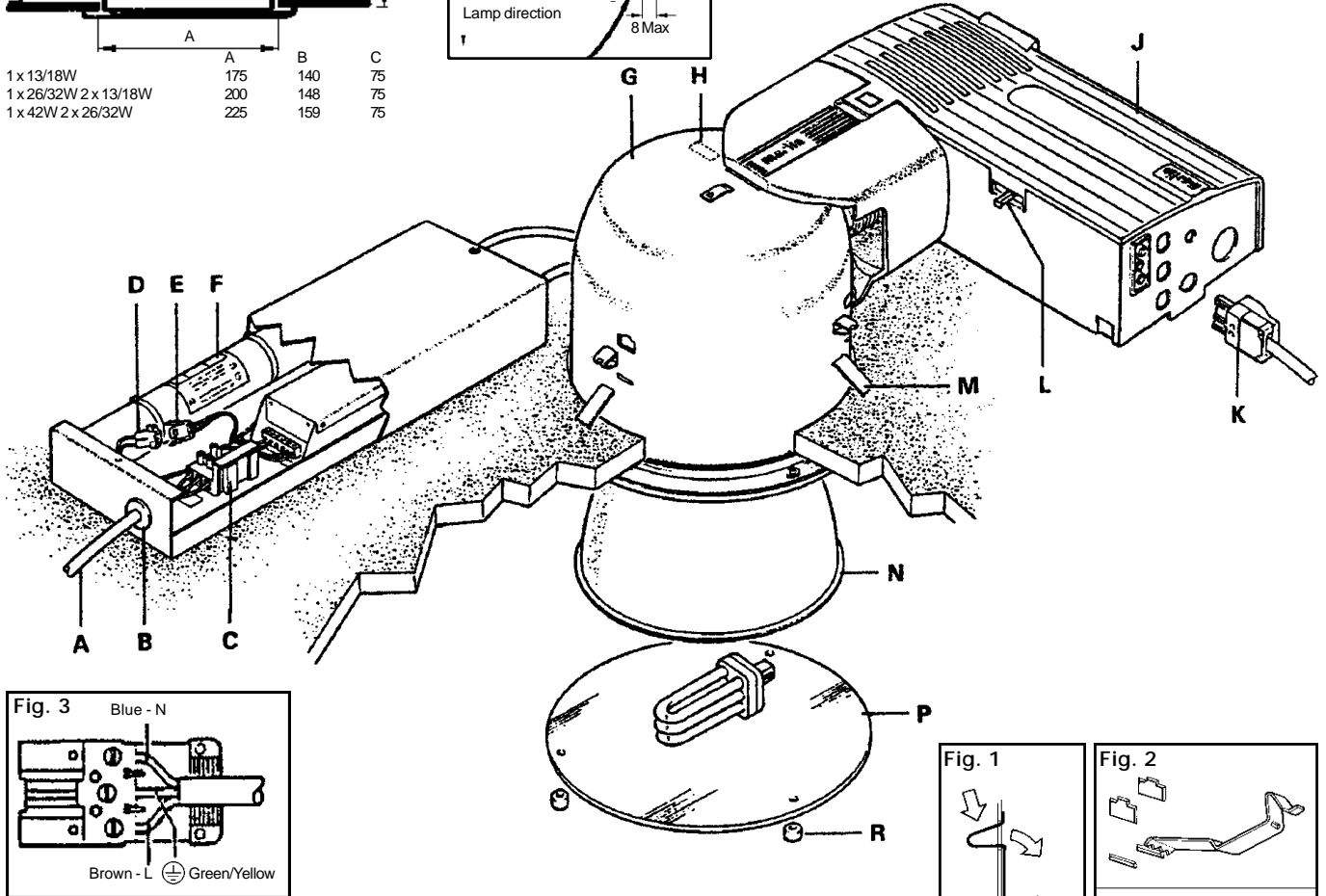


Switch Off
 Abschalten
Débrancher
 Desconectar
Uitschakelen
 Stäng av



Clearance slot in aperture for LED assembly
WARNING: Extreme care must be taken when making clearance slot in aperture for LED on side of housing

! Use supplied polythene glove when handling reflector and lamp



This luminaire is suitable for ceiling mounting and is designed for sustained/combined emergency operation with a duration of 3 hours.

The lamp housing and gear unit are modular components designed for plug and snap assembly.

Installation should be carried out by a suitably qualified person in accordance with good electrical practise and the appropriate national wiring regulations.

Switch of mains electrical supply before commencing installation.

Installation Procedure

Refer to table for aperture and recess dimensions including clearance slot for LED housing and prepare aperture in mounting surface.

Remove retaining knobs (R) and protective cover (P).

Remove reflector (N) and check rating marked on label (H) conforms with mains electrical supply.

Remove mounting clips (M) from reflector housing as shown in Fig. 1.

Remove plug (K) from gear unit and connect Switched Mains Supply to plug as shown in Fig. 3.

Remove remote box cover, pierce grommet (B), feed 3-core cable from UNswitched Mains Supply through grommet and connect leads in respectively marked terminals in fused 2A terminal block (C). Re-fit cover.

Enter supply connection date on battery pack label (F).

Connect battery socket (D) and plug (E).

Insert plug (K) in gear unit socket.

Place remote box through ceiling aperture.

Refer to table above and secure housing (G) in ceiling aperture with mounting clips (M) as shown in Fig. 2.

Fit reflector (N) in housing (G), ensuring that rubber washer is positioned on end of screw as shown in Fig. 4.

Fit supplied lamps.

Replace protective cover (P) and secure with retaining knobs (R).

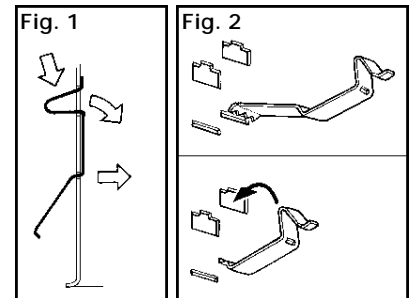
NOTE: Luminaire protected by a 3A fuse (L).

Testing (PTO)

Switch on mains supply and check that charge indicator lamp is on.

Leave luminaire on continuous charge for 24 hours.

Simulate mains failure, and check that the lamp operates for 3 hours. If full duration of 3 hours is not achieved, repeat charge/discharge cycle as battery packs may have discharged in stock and will require conditioning.



Main Lamps

For optimum performance Concord recommend the use of Philips PL-T lamps (with the exception of 13W lamp version when a GE Biax is recommended).

Emergency Lamp
 5W PLS (4-Pin) Non Amalgam.

IP44 Rating - With protective cover (P) fitted, any mounting surface must be closed to prevent ingress of water into ceiling void from below.

WARNING: Any external cable or wiring must not come into contact with gear unit unless heat resistant up to 85°C.

WARNING: Luminaire must be earthed.

WARNING: Do not insulation test.

NOTE: This luminaire should be cleaned by using warm soapy water and a soft cloth - ensure luminaire is switched off during cleaning.

Dispose of lamps in accordance with lamp manufacturer's instructions.

Routine Maintenance

Routine maintenance must be carried out in compliance with the requirements of BS5266:Part 1 - Emergency Lighting of Premises.

The following tests assume a three-hour system.

- Daily:**
1. Check that any recorded faults have been rectified.
 2. Check that the maintained emergency lamp is operative.
 3. Check that the charge indicator light is illuminated.
- Monthly:**
(Functional)
1. Simulate a mains failure and check that the emergency lamp illuminates and remains on for several minutes.
 2. After reverting back to mains supply check the charge indicator light is illuminated.
- Six Monthly:**
(1 Hour)
1. Simulate a mains failure and check that the emergency lamp illuminates and remains on for one hour.
 2. After reverting back to mains supply check the charge indicator light is illuminated.
 3. On restoring the mains supply the unit will require approximately 24 hours to recharge before becoming fully operational.
- Three Years:**
(3 Hours)
1. Simulate a mains failure and check that the emergency lamp illuminates and remains on for at least 3 hours.
 2. After reverting back to mains supply check the charge indicator light is illuminated.
 3. On restoring the mains supply the unit will require approximately 24 hours to recharge before becoming fully operational.

It is recommended that the battery packs and lamps are replaced every 4 years or sooner if the units performance fails to meet the above requirements. To maintain optimum unit performance, only approved replacement battery packs and lamps must be used.

All routine maintenance checks must be recorded on the unit Routine Test Record and must be made available for inspection at all times.

Installation and Commissioning Record

Luminaire Model Ref: _____ Location: _____
Installed By: _____ Date: _____
Commissioned by: _____ Date: _____
(Full Charge and Discharge Cycle)

Routine Test Record

Monthly Test	First Year		Second Year		Third Year		Forth Year		Fifth Year	
	Signed	Dated	Signed	Dated	Signed	Dated	Signed	Dated	Signed	Dated
Functional										
Functional										
Functional										
Functional										
Functional										
1 Hour Duration										
Functional										
Functional										
Functional										
Functional										
Functional										
1 Hour Duration										
3 Hour Duration										

Suitable for use indoors

Geeignet für Innenanwendung

Pour un usage interne

Adecuada para uso en interiores

Geschikt voor gebruik binnen

Lämplig för inomhusbruk



Replace any cracked protective shield.

Dieses symbol bedeutet, dass defekte Schutzgläser sofort ersetzt werden müssen.

Ce symbol indique que vous devez remplacer tout verre de protection fêlé.

Este simbolo indica que hay que reemplazar filtros en caso de rotura o desperfectos.

Dette symbolet indikerer at alle ødelagte (sprukne) sikkerhetsglass må skiftes.

Valaisinta el saa käyttää ilman suojalasia vioittunut suojalasi on vaihdettava uuteen ennen valaisimen käyttöön ottoa.



< Millimetres >



This Electrical Product
MUST be recycled.



01.08

Concord

Avis Way Newhaven East Sussex BN9 0ED
T 0870 606 2030 F 01273 512 688 email: information@concordmarlin.com



© Concord Lighting Ltd.