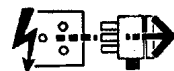


Disconnect from mains supply before replacing the fuse or the lamp.
 Vor dem Einsetzen der Sicherung oder der Lampe Spannungsfreiheit herstellen.
Débrancher le secteur avant de remplacer le fusible ou l'ampoule.
 Desconectar del suministro de la red, antes de realizar la sustitución del fusible o de la lámpara.
Voor het vervangen van lamp of zekering, eerst netspanning uitschakelen.
 Koppla bort spänningen före byte av en säkring eller en lampa.



Switch off
 Abschalten
 Débrancher
 Desconectar
 Uitschakelen
 Stäng av

This Product MUST be EARTHED

USE SUPPLIED POLYTHENE GLOVE WHEN HANDLING REFLECTOR AND LAMP

This luminaire is suitable for interior ceiling mounting.

Installation should be carried out by a suitably qualified person in accordance with good electrical practice and the appropriate national wiring regulations.

Switch off mains electrical supply before commencing installation.

INSTALLATION PROCEDURE

Refer to table for aperture, recess and enclosure dimensions, and prepare aperture in mounting surface.

Remove retaining knobs (G) and protective glass cover (F).

Unscrew reflector (E) from lampholder and check rating marked on label (D) conforms with mains electrical supply.

Remove mounting clips (C) from reflector housing (B) as shown in Fig. 1.

Remove cover (M), and pass supply cable (H) through grommet (J) and cable clamp (K).

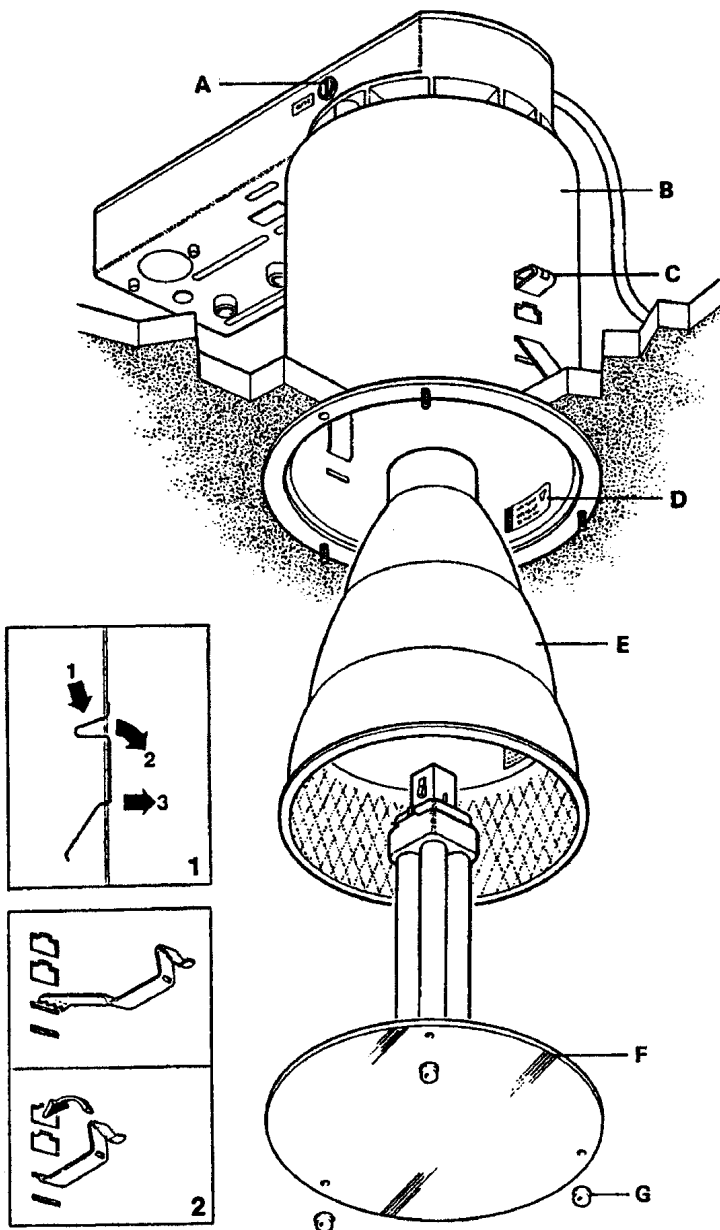
Connect cable leads in terminal block (L), tighten cable clamp screws and re-fit cover (M).

Refer to table below and secure housing (B) in ceiling aperture with mounting clips (C) as shown in Fig. 2.

Screw reflector (E) on lampholder and fit appropriate lamp as indicated on label (D).

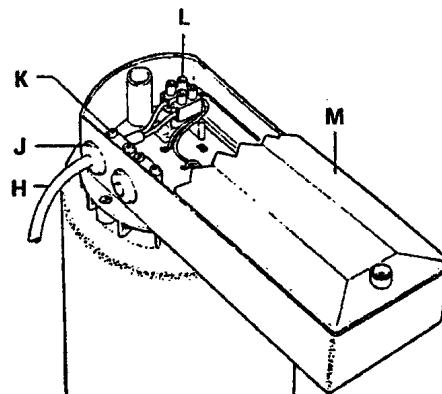
Replace protective glass cover (F) and secure with retaining knobs (G).

NOTE: Downlight is protected by 3A fuse (A).



TRIM TYPE	CEILING THICKNESS (mm)	FIXING SLOT
FLAT	5 - 16	BOTTOM
	16 - 31	TOP
PROFILE	1 - 10	BOTTOM
	10 - 25	TOP

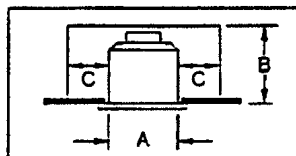
TO AVOID FLEXING OF SHEET METAL TILES USE A 6mm BACKING BOARD



IP44 RATING - WITH PROTECTIVE GLASS COVER FITTED, ANY MOUNTING SURFACE MUST BE CLOSED TO PREVENT INGRESS OF WATER INTO CEILING VOID FROM BELOW

NOTE: THIS LUMINAIRE SHOULD BE CLEANED BY USING WARM SOAPY WATER AND A SOFT CLOTH - ENSURE LUMINAIRE IS SWITCHED OFF DURING CLEANING

DISPOSE OF LAMPS IN ACCORDANCE WITH LAMP MANUFACTURER'S INSTRUCTIONS



	A	B	C
LXV 113	165	240	75
LXV 118	180	255	75
LXV 126	205	285	75

Dimensions in millimetres

Suitable for use indoors
 Geeignet für innenanwendung
 Pour un usage Interne

Adecuada para uso en interiores
 Geschikt voor gebruik binnen
 Lämplig för inomhusbruk

This Electrical Product MUST be recycled.

