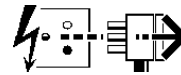
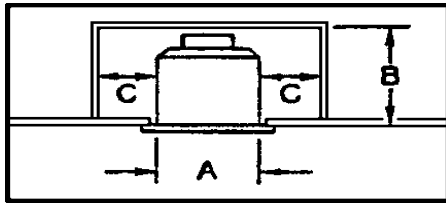


**Disconnect from mains supply before replacing the fuse or the lamp.**  
 Vor dem Einsetzen der Sicherung oder der Lampe Spannungsfreiheit herstellen.  
**Débrancher le secteur avant de remplacer le fusible ou l'ampoule.**  
 Desconectar del suministro de la red, antes de realizar la sustitución del fusible o de la lámpara.  
**Voor het vervangen van lamp of zekering, eerst netspanning uitschakelen.**  
 Koppla bort spänningen före byte av en säkring eller en lampa.



**Switch Off**  
 Abschalten  
**Débrancher**  
 Desconectar  
**Uitschakelen**  
 Stäng av



1 x 13W*	A 155	B 240	C 75
1 x 18W	180	255	75
1 x 26W	205	295	75

This luminaire is suitable for interior ceiling mounting.

Installation should be carried out by a suitably qualified person in accordance with good electrical practice and the appropriate national wiring regulations.

Switch off mains electrical supply before commencing installation.

**Installation Procedures**

Refer to table for aperture recess and enclosure dimensions, and prepare aperture in mounting surface.

Remove retaining knobs (G) and protective glass cover (F).

Unscrew reflector (E) from lampholder and check rating marked on label (D) conforms with mains electrical supply.

Remove mounting clips (C) from reflector housing (B) as shown in Fig. 1.

Remove cover (M), and pass supply cable (H) through grommet (J) and cable clamp (K).

Connect cable leads in terminal block (L), tighten cable clamp screws and re-fit cover (M).

Refer to table and secure housing (B) in ceiling aperture with mounting clips (C) as shown in Fig. 2.

Screw reflector (E) on lampholder and fit appropriate lamp as indicated on label (D).

Replace protective glass cover (F) and secure with retaining knobs (G).

NOTE: Downlight is protected by a 3A fuse (A).

IP44 Rating - With protective glass cover fitted, any mounting surface must be closed to prevent ingress of water into ceiling void from below.

NOTE: This luminaire should be cleaned by using warm soapy water and a soft cloth - ensure luminaire is switched off during cleaning.

Dispose of lamps in accordance with lamp manufacturer's instructions.

Clips

Trim Type	Ceiling Thickness (mm)	Fixing Slot
Flat	5 - 16	Bottom
	16 - 31	Top
Profile	1 - 10	Bottom
	10 - 25	Top

To avoid flexing of sheet metal tiles use a 6mm backing board.

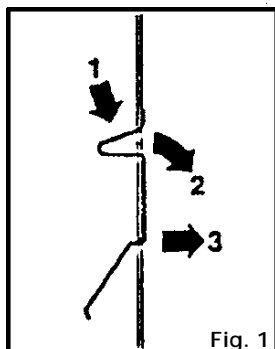


Fig. 1

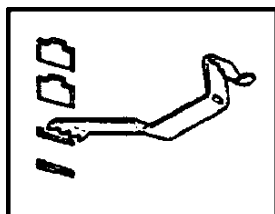
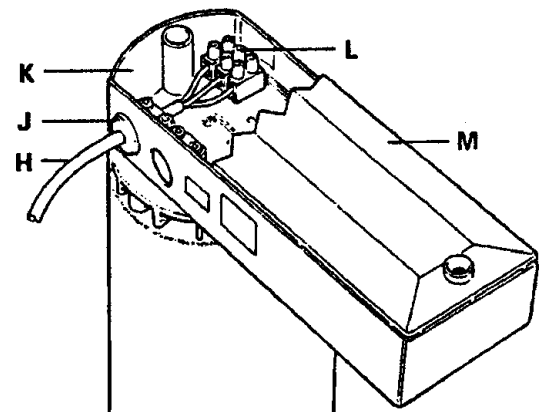
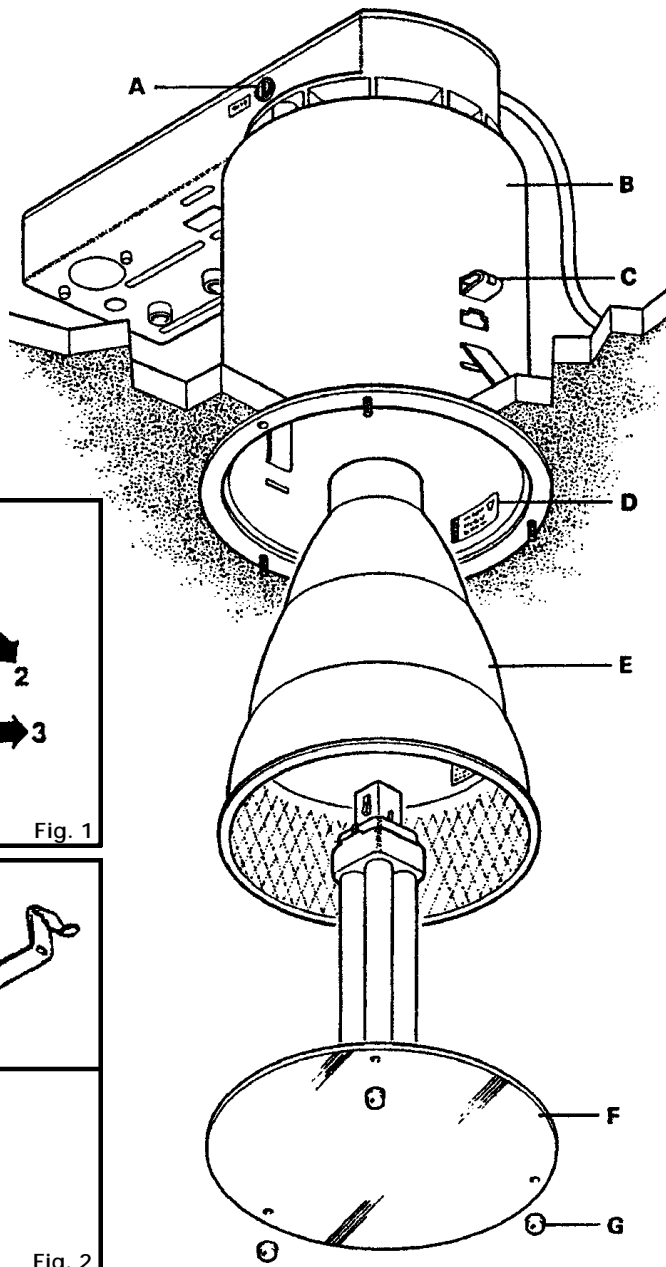


Fig. 2



Suitable for use indoors  
 Geeignet für Innenanwendung  
 Pour un usage interne  
 Adecuada para uso en interiores  
 Geschikt voor gebruik binnen  
 Lämplig för inomhusbruk



Replace any cracked protective shield.

Dieses symbol bedeutet, dass defekte Schutzgläser sofort ersetzt werden müssen.

**Ce symbole indique que vous devez remplacer tout verre de protection fêlé.**

Este simbolo indica que hay que reemplazar filtros en caso de rotura o desperfectos.

**Dette symbolet indikerer at alle ødelagte (sprukne) sikkerhetsglass må skiftes.**

Valaisinta ei saa käyttää ilman suojalasiasa vioitunut suojalasi on vaihdettava uuteen ennen valaisimen käyttöön ottoa.

< Millimetres >



This Electrical Product  
 MUST be recycled.



02.08