

Storm Flag Twin

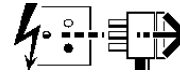
Installation Instructions
IS500

This Product
MUST be EARTHED

IS5595

4050835 4050836 4050837 4050838 4050839
4050840 4050841 4050842 4050843 4050844
4050845 4050846 4050847 4050848 4050849
4050850 4050851 4050852

Disconnect from mains supply before replacing the fuse or the lamp.
Vor dem Einsetzen der Sicherung oder der Lampe Spannungsfreiheit herstellen.
Débrancher le secteur avant de remplacer le fusible ou l'ampoule.
Desconectar del suministro de la red, antes de realizar la sustitución del fusible o de la lámpara.
Voor het vervangen van lamp of zekering, eerst netspanning uitschakelen.
Koppla bort spänningen före byte av en säkring eller en lampa.



Switch Off
Abschalten
Débrancher
Desconectar
Uitschakelen
Stäng av

Installation should be carried out by a suitably qualified person in accordance with good electrical practice and the appropriate national wiring regulations.

Switch off mains electrical supply before commencing installation.

Installation Procedure

Unscrew cover screws (A) and open cover.

Check that the voltage tapping lead is connected in appropriate ballast terminal (see diagram).

Fit appropriate lamp as indicated on label (C) located near lampholder.

Check that the seal (D) is in position.

Press stay button (B), close cover and tighten cover screws.

WALL MOUNTING

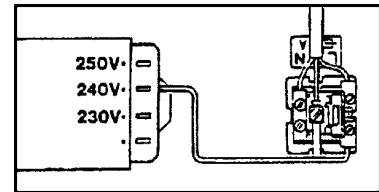
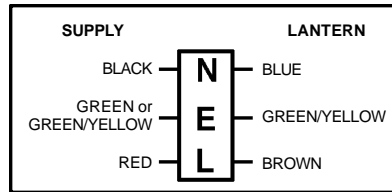
NOTE: Supplied sheathed cable is not suitable for exterior surface use unless it is enclosed in a conduit.

WARNING: This luminaire must be earthed.

NOTE: This luminaire should be cleaned using warm soapy water and a soft cloth - ensure luminaire is switched off during cleaning.

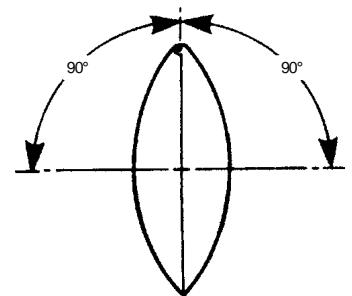
Dispose of lamps in accordance with lamp manufacturer's instructions.

NOTE: The total maximum weight per lantern and mounting bracket is 16Kg.

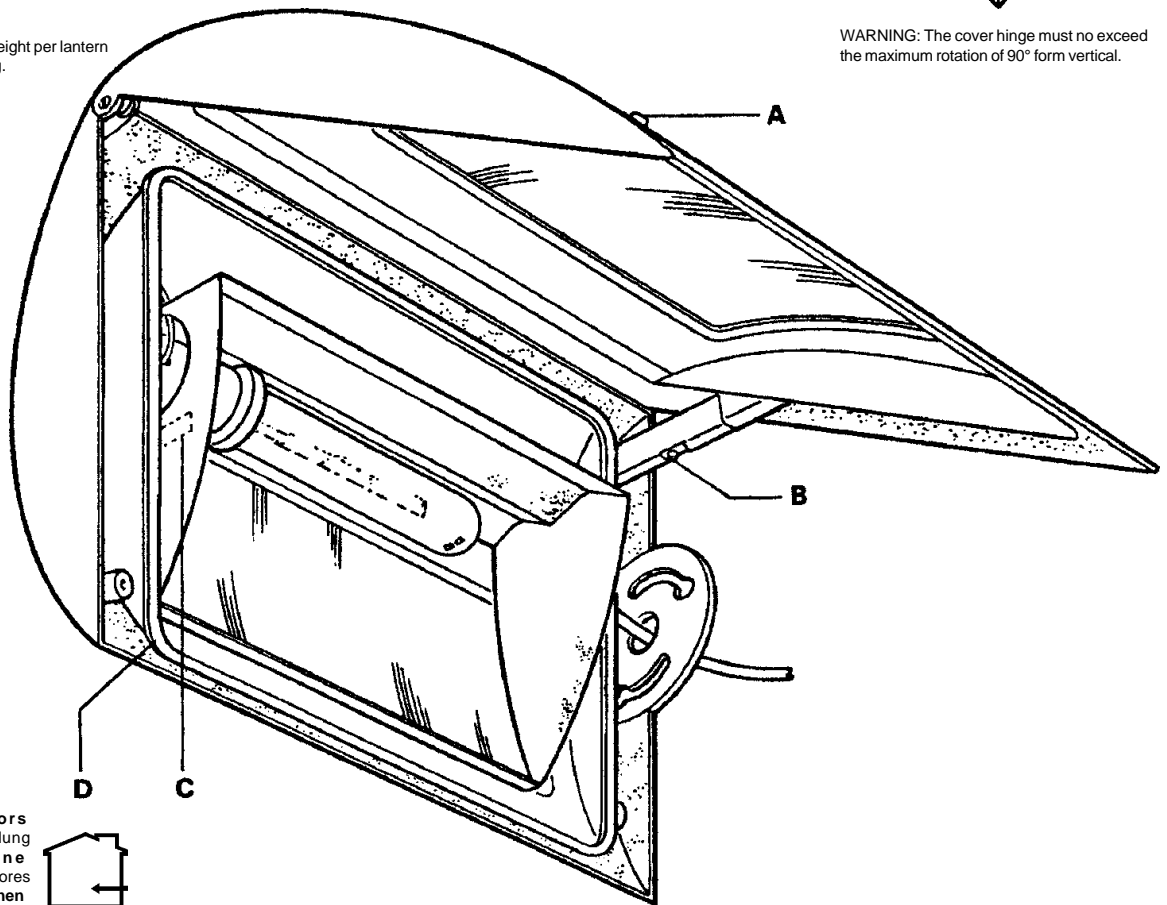


To optimise lamp and ballast performance, it is recommended that the lantern ballast is tapped at the nominal voltage that is within 5 Volts of the supply voltage.

For example: 242V Supply - Use 240V Tapping
247V Supply - Use 250V Tapping



WARNING: The cover hinge must not exceed the maximum rotation of 90° from vertical.



Suitable for use indoors
Geeignet für Innenanwendung
Pour un usage interne
Adecuada para uso en interiores
Geschikt voor gebruik binnen
Lämplig för inomhusbruk



Replace any cracked protective shield.

Dieses symbol bedeutet, dass defekte Schutzgläser sofort ersetzt werden müssen.

Ce symbole indique que vous devez remplacer tout verre de protection fêlé.

Este símbolo indica que hay que reemplazar filtros en caso de rotura o desperfectos.

Dette symbolet indikerer at alle ødelagte (sprukne) sikkerhetsglass må skiftes.

Valaisinta ei saa käyttää ilman suojalasiasa vioitunut suojalasi on vaihdettava uuteen ennen valaisimen käyttöön ottoa.

< Millimetres >



This Electrical Product
MUST be recycled.



02.08

Concord

Avis Way Newhaven East Sussex BN9 0ED
T 0870 606 2030 F 01273 512 688 email: information@concordmarlin.com

