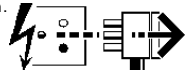


Disconnect from mains supply before replacing the fuse or the lamp.
 Vor dem Einsetzen der Sicherung oder der Lampe Spannungsfreiheit herstellen.
Débrancher le secteur avant de remplacer le fusible ou l'ampoule.
 Desconectar del suministro de la red, antes de realizar la sustitución del fusible o de la lámpara.
Voor het vervangen van lamp of zekering, eerst netspanning uitschakelen.
 Koppla bort spänningen före byte av en säkring eller en lampa.



Switch Off
 Abschalten
Débrancher
 Desconectar
Uitschakelen
 Stäng av

This wall plate is for use with rear entry wiring installations only!

Installation Procedure

Secure wall plate to a flat mounting surface over an electrical outlet using suitable fixings.

Screw lantern fixing bolts (A) in wall plate (B) leaving 8mm of thread protruding.

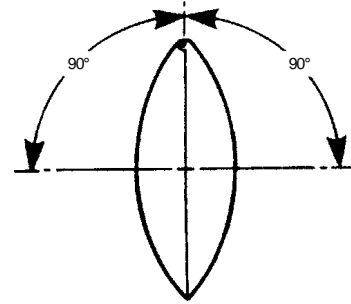
Pass lantern cable through conduit to a suitable termination enclosure.

Align lantern keyhole slots over heads of fixing bolts, tilt lantern to ensure lantern is supported on fixing bolts.

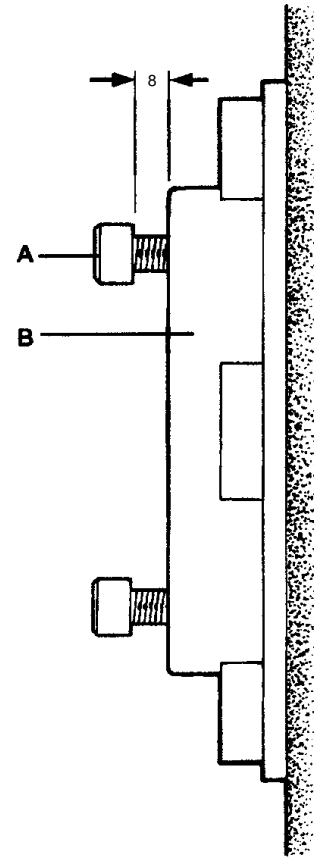
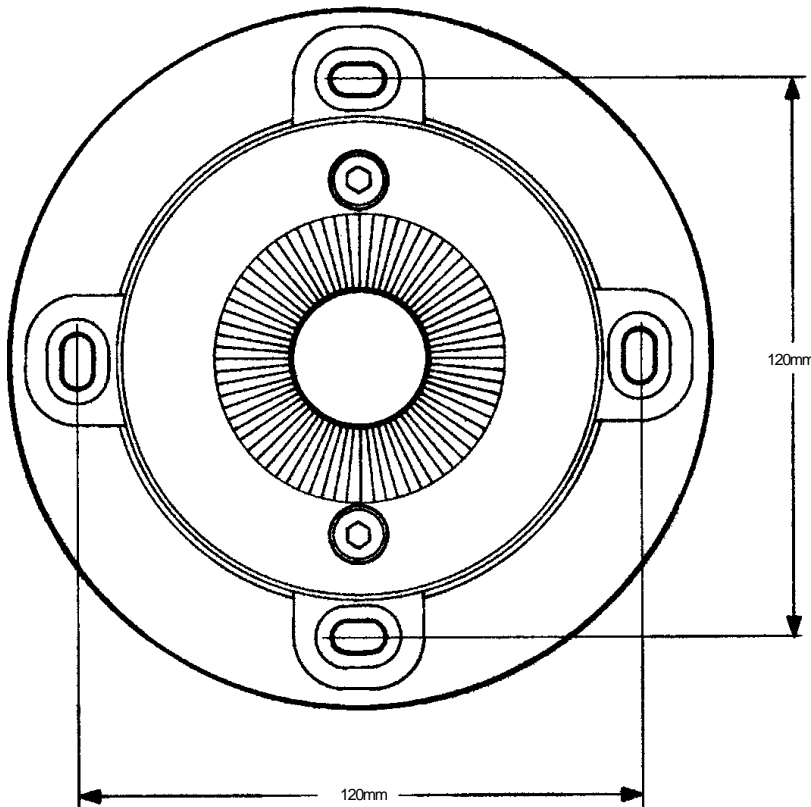
Open lantern cover, rotate lantern to required position and tighten fixing bolts (B) with supplied hexagon socket key.

Refer to Installation leaflet IS5593 to complete installation.

NOTE: Maximum total weight of a lantern and wall plate is 16Kg.



WARNING: The cover hinge must not exceed the maximum rotation of 90° from vertical.



Suitable for use indoors

Geeignet für Innenanwendung

Pour un usage interne

Adecuada para uso en interiores

Geschikt voor gebruik binnen

Lämplig för inomhusbruk



Replace any cracked protective shield.

Dieses symbol bedeutet, dass defekte Schutzgläser sofort ersetzt werden müssen.

Ce symbole indique que vous devez remplacer tout verre de protection fêlé.

Este símbolo indica que hay que reemplazar filtros en caso de rotura o desperfectos.

Dette symbolet indikerer at alle ødelagte (sprukne) sikkerhetsglass må skiftes.

Valaisinta ei saa käyttää ilman suojalasiasa vioitunut suojalasi on vaihdettava uuteen ennen valaisimen käyttöön ottoa.

< Millimetres >



This Electrical Product
MUST be recycled.



02.08

Concord