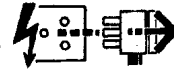


Disconnect from mains supply before replacing the fuse or the lamp.  
 Vor dem Einsetzen der Sicherung oder der Lampe Spannungsfreiheit herstellen.  
 Débrancher le secteur avant de remplacer le fusible ou l'ampoule.  
 Desconectar del suministro de la red, antes de realizar la sustitución del fusible o de la lámpara.  
 Voor het vervangen van lamp of zekering, eerst netspanning uitschakelen.  
 Koppla bort spänningen före byte av en säkring eller en lampa.



Switch off  
 Abschalten  
 Débrancher  
 Desconectar  
 Uitschakelen  
 Stäng av

Installation should be carried out by a suitably qualified person in accordance with good electrical practice and the appropriate national wiring regulations.

Switch off mains electrical supply before commencing installation.

#### INSTALLATION PROCEDURE

Pull out reflector and allow it to hang from safety cords.

Check voltage rating on label (H) conforms with mains electrical supply.

Remove lamp/s.

Remove plug (C) from unit socket (B).

Connect mains supply leads in plug (C) as shown.

Locate suspension yokes/single point suspensions in unit slots and gently tighten locking screws (G).

Suspend unit and adjust height as required.

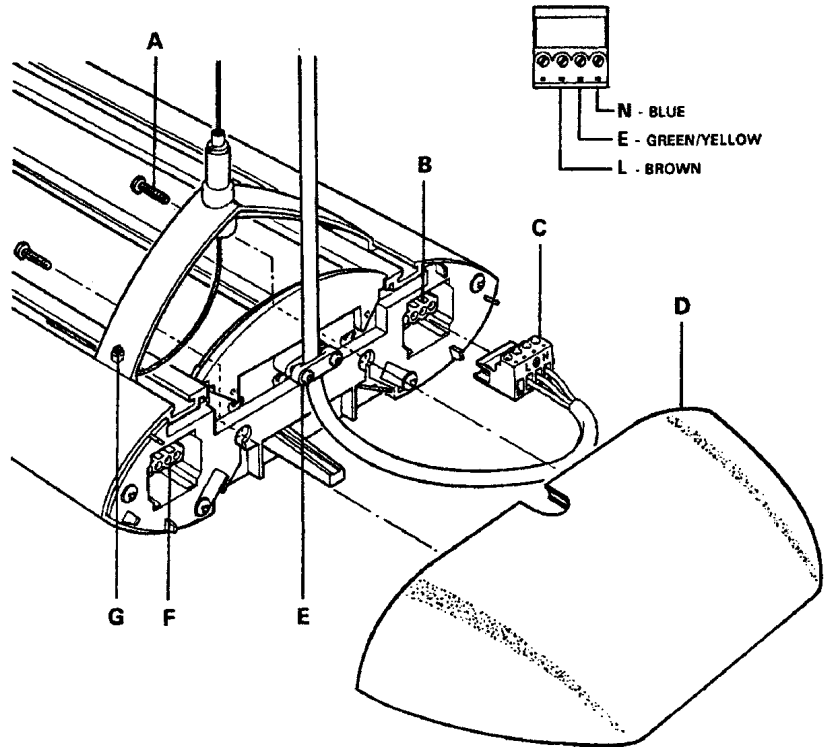
Insert plug (C) in unit socket (B) or (F).

Secure mains supply cable in cable clamp (E).

Fit end caps (D) using supplied fixing screws (A).

Insert supplied blanking plug in unused cable entry slot in end cap.

Refit lamp/s and reflector.

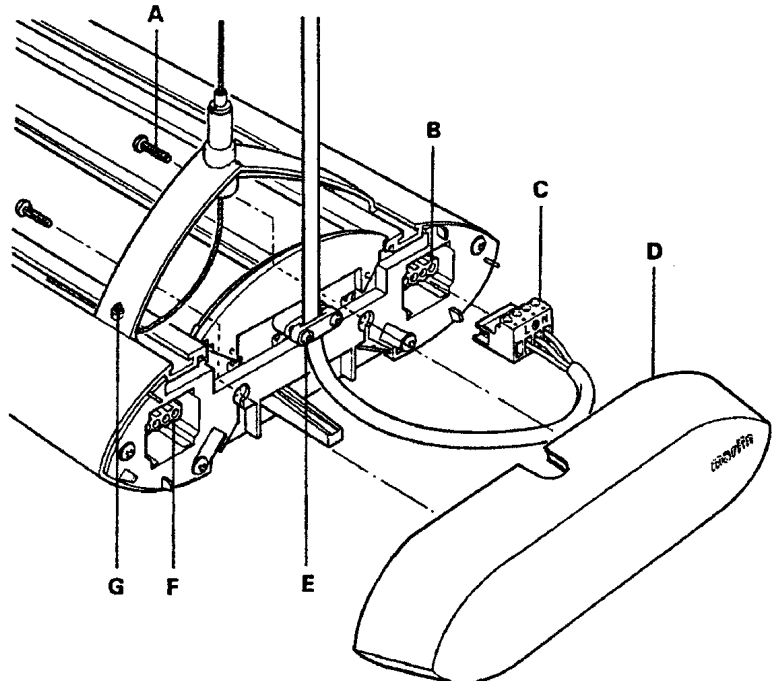
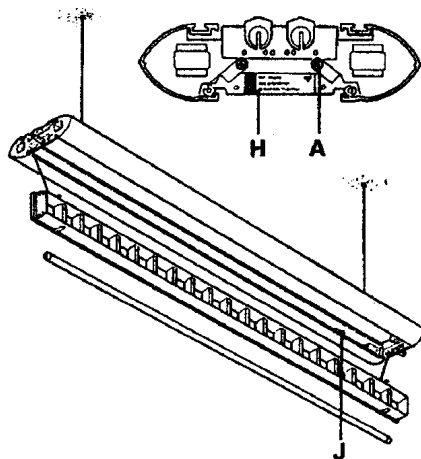


#### WARNING:

1. UNIT MUST BE EARTHED
2. DO NOT INSULATION TEST HIGH FREQUENCY UNITS
3. DO NOT PULL ON CABLE LEADS WHEN REMOVING PLUG (C) FROM SOCKET (B)

#### NOTE:

1. REPLACEMENT LAMPS - USE ONLY HIGH EFFICIENCY T6 LAMPS
2. THIS UNIT SHOULD BE CLEANED BY USING WARM SOAPY WATER AND A SOFT CLOTH - ENSURE UNIT IS SWITCHED OFF DURING CLEANING
3. DISPOSE OF LAMPS IN ACCORDANCE WITH LAMP MANUFACTURER'S INSTRUCTIONS
4. REMOVE REFLECTOR TO GAIN ACCESS TO 3A FUSE (J)



Suitable for use indoors  
 Geeignet für innenanwendung  
 Pour un usage interne

Adecuada para uso en interiores  
 Geschikt voor gebruik binnen  
 Lämpplig för inomhusbruk

This Electrical Product MUST be recycled.



# Concord:marlin

Avis Way Newhaven East Sussex BN9 0ED  
 T 0870 606 2030 F 01273 512 688 email: information@concordmarlin.com

