

Disconnect from mains supply before replacing the fuse or the lamp.
 Vor dem Einsetzen der Sicherung oder der Lampe Spannungsfreiheit herstellen.
Débrancher le secteur avant de remplacer le fusible ou l'ampoule.
 Desconectar del suministro de la red, antes de realizar la sustitución del fusible o de la lámpara.
Voor het vervangen van lamp of zekering, eerst netspanning uitschakelen.
 Koppla bort spänningen före byte av en säkring eller en lampa.



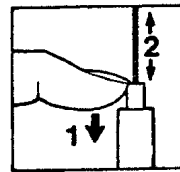
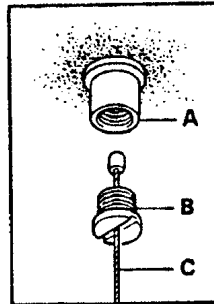
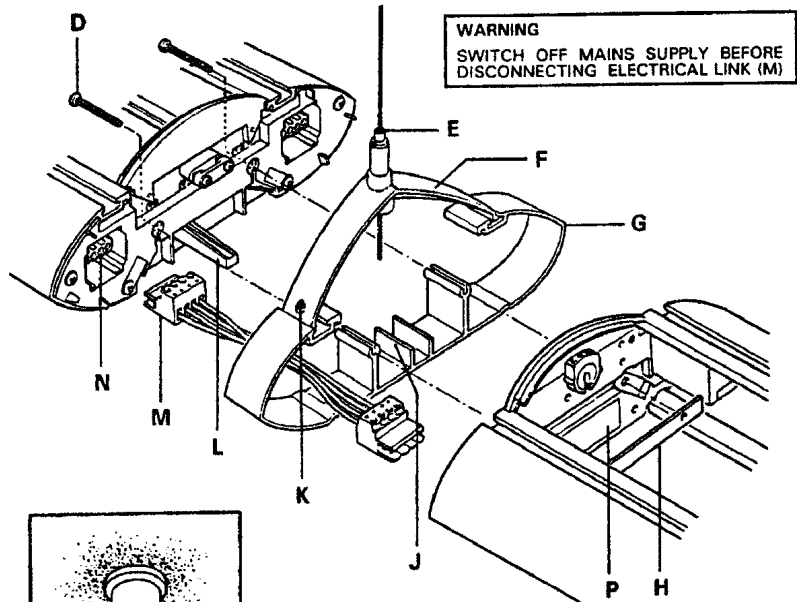
Switch off
 Abschalten
Débrancher
 Desconectar
Uitschakelen
 Stäng av

Installation should be carried out by a suitably qualified person in accordance with good electrical practice and the appropriate national wiring regulations.

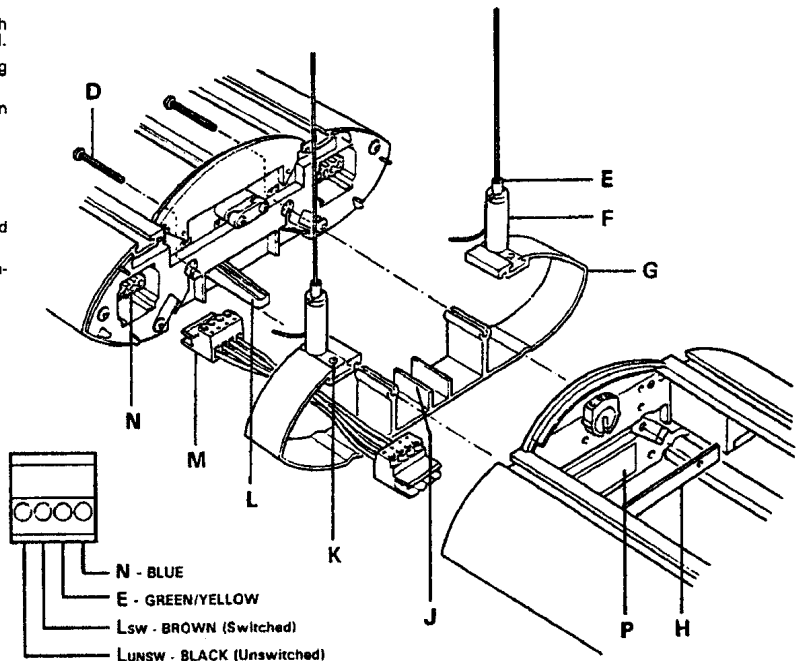
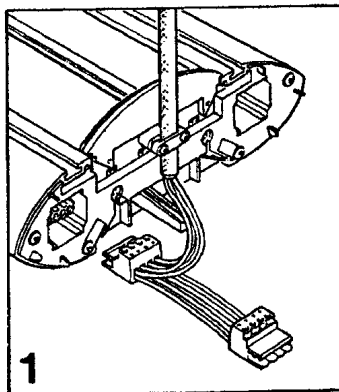
Switch off mains electrical supply before commencing installation.

INSTALLATION PROCEDURE

1. Secure bosses (A) to mounting surface using suitable fixings. See table for suggested fixing centres.
2. Pass suspension cables (C) through cable retainers (B) and screw retainers in bosses.
3. Slide a suspension yoke /single point suspensions (F) in channels at one end of unit and gently tighten locking screws (K).
4. Pull out reflector and allow it to hang from safety cords and remove lamp/s.
5. Fit a suspension yoke/single point suspensions in channels of connector (G) and gently tighten locking screw (K).
6. Pass suspension cables through collets (E).
7. Adjust suspension height by depressing collet button as shown.
8. **NOTE:** Ensure connectors (G) are set at correct height and level.
9. Commencing with end unit, suspend unit by passing suspension cable through attached yoke collet.
10. Hook nosing (L) over connector rib (J) and push connector to engage in unit.
11. Ensure unit is level with respect to connector.
12. The unit should now suspend securely for the following stages of installation.
13. Connect link plug (M) in unit socket (N).
14. **NOTE:** If mains supply is required in the middle of a run connect wiring as shown in Fig.1.
15. The second unit can now be suspended.
16. Hold unit in position and connect link plug (M) in second unit socket.
17. Hook nosing (L) over connector rib (J) and push connector to engage in unit, and repeat at other end.
18. Lock first and second units together using supplied fixing plate (H) and screws (D).
19. **NOTE:** Ensure link leads are not trapped when joining units.
20. Repeat stages 13 to 18.
21. Suspend final unit as per stages 9 to 13.
22. Fit end caps, lamps and reflector.
23. **NOTE:** Suspension cables must be vertical and unit horizontal.
24. Route excess suspension cable along unit channel. (See 0165-5609).



	A	B
28W	1000mm	1206mm
35W	1300mm	1506mm



Suitable for use indoors
 Geeignet für innenanwendung
 Pour un usage interne

Adecuada para uso en interiores
 Geschikt voor gebruik binnen
 Lämpilg för inomhusbruk

This Electrical Product MUST be recycled.

