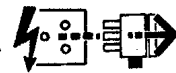
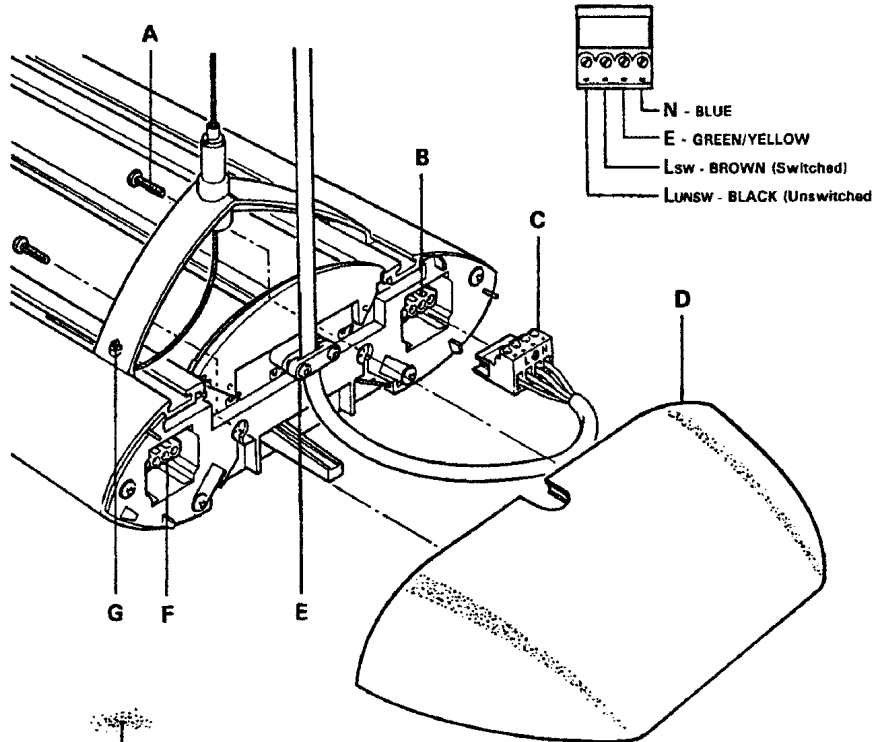


Disconnect from mains supply before replacing the fuse or the lamp.
 Vor dem Einsetzen der Sicherung oder der Lampe Spannungsfreiheit herstellen.
Débrancher le secteur avant de remplacer le fusible ou l'ampoule.
 Desconectar del suministro de la red, antes de realizar la sustitución del fusible o de la lámpara.
Voor het vervangen van lamp of zekering, eerst netspanning uitschakelen.
 Koppla bort spänningen före byte av en säkring eller en lampa.



Switch off
 Abschalten
 Débrancher
 Desconectar
 Uitschakelen
 Stäng av



This luminaire is suitable for interior ceiling mounting and is designed for maintained emergency operation with a duration of 3 hours.

Installation should be carried out by a suitably qualified person in accordance with good electrical practice and the appropriate national wiring regulations.

Switch off mains electrical supply before commencing installation.

INSTALLATION PROCEDURE

Pull out reflector and allow it to hang from safety cords.

Check voltage rating on label (H) conforms with mains electrical supply.

Remove lamp/s.

Remove plug (C) from unit socket (B).

Connect mains SWITCHED and UNSWITCHED supply leads in plug (C) as shown.

Locate suspension yokes/single point suspensions in unit slots and gently tighten locking screws (G).

Suspend unit and adjust height as required.

Insert plug (C) in unit socket (B) or (F).

Secure mains supply cable in cable clamp (E).

Fit end caps (D) using supplied fixing screws (A).

Insert supplied blanking plug in unused cable entry slot in end cap.

Enter supply connection date on battery pack label (L).

Connect battery plug (J) and socket (K).

Refit lamp/s and reflector.

NOTE: Unit emergency and ballast circuits are protected by 3A fuses (M) and (N).

TESTING

Switch on mains supply and check that charge indicator lamp (P) is on.

Leave luminaire on continuous charge for 24 hours.

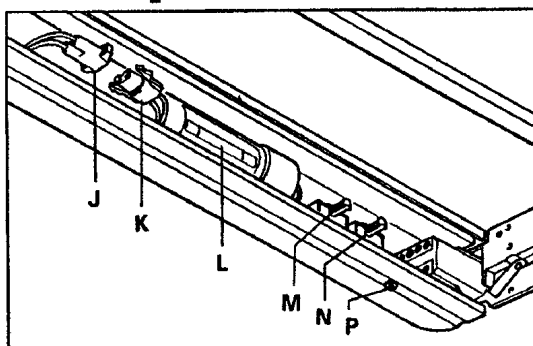
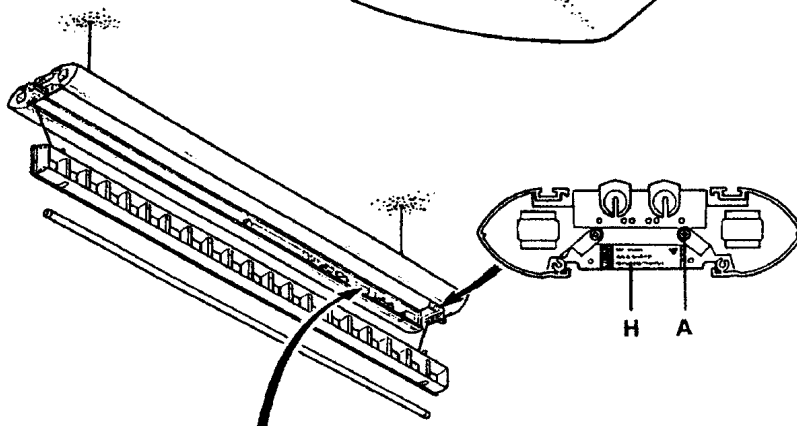
Simulate mains failure, and check that lamp (K) operates for 3 hours. If full duration of 3 hours is not achieved, repeat charge/discharge cycle as battery packs may have discharged in stock and will require conditioning.

WARNING:

1. UNIT MUST BE EARTHED
2. DO NOT INSULATION TEST UNIT
3. DO NOT PULL ON CABLE LEADS WHEN REMOVING PLUG (C) FROM SOCKET (B)

NOTE:

1. REPLACEMENT LAMPS - USE ONLY HIGH EFFICIENCY T5 LAMPS
2. THIS UNIT SHOULD BE CLEANED BY USING WARM SOAPY WATER AND A SOFT CLOTH - ENSURE UNIT IS SWITCHED OFF DURING CLEANING
3. DISPOSE OF LAMPS IN ACCORDANCE WITH LAMP MANUFACTURER'S INSTRUCTIONS



Suitable for use indoors
 Geeignet für innenanwendung
 Pour un usage interne

Adecuada para uso en interiores
 Geschikt voor gebruik binnen
 Lämpilg för inomhusbruk

This Electrical Product MUST be recycled.



Concord:marlin

Avis Way Newhaven East Sussex BN9 0ED
 T 0870 606 2030 F 01273 512 688 email: information@concordmarlin.com

FM 1057
 © Concord Lighting Ltd