

Disconnect from mains supply before replacing the fuse or the lamp.
 Vor dem Einsetzen der Sicherung oder der Lampe Spannungsfreiheit herstellen.
Débrancher le secteur avant de remplacer le fusible ou l'ampoule.
 Desconectar del suministro de la red, antes de realizar la sustitución del fusible o de la lámpara.
Voor het vervangen van lamp of zekering, eerst netspanning uitschakelen.
 Koppla bort spänningen före byte av en säkring eller en lampa.



Switch off
 Abschalten
 Débrancher
 Desconectar
 Uitschakelen
 Stäng av

WARNING
 DO NOT PULL ON CABLE LEADS WHEN REMOVING PLUG (C) FROM SOCKET (B)

Installation should be carried out by a suitably qualified person in accordance with good electrical practice and the appropriate national wiring regulations.

Switch off mains electrical supply before commencing installation.

INSTALLATION PROCEDURE

Pull out reflector and allow it to hang from safety cords.

Check voltage rating on label (H) conforms with mains electrical supply.

Remove lamp/s.

Remove plug (C) from unit socket (B).

Connect mains supply leads in plug (C) as shown.

Locate suspension yokes/single point suspensions in unit slots and gently tighten locking screws (G).

Suspend unit and adjust height as required.

Insert plug (C) in unit socket (B) or (F).

Secure mains supply cable in cable clamp (E).

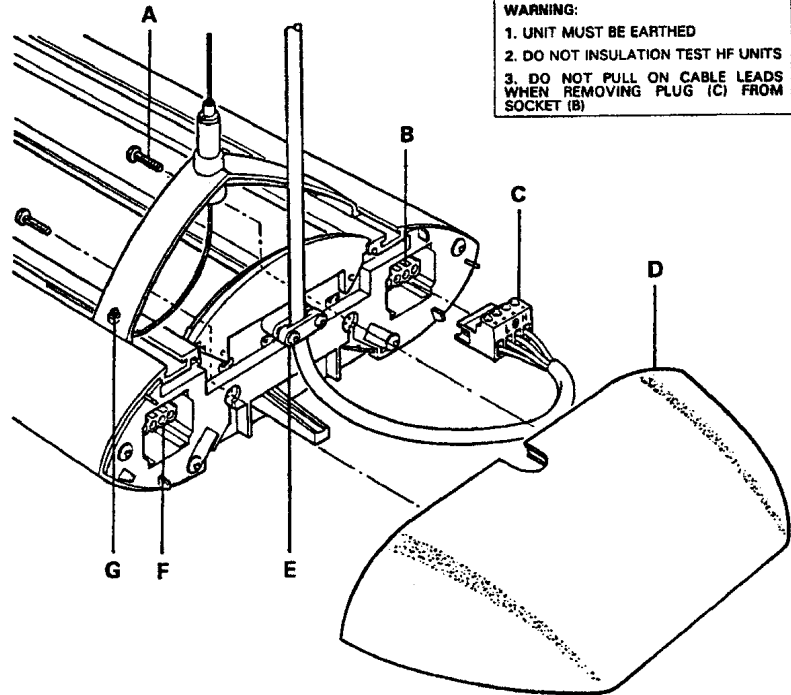
Fit end caps (D) using supplied fixing screws (A).

Insert supplied blanking plug in unused cable entry slot in end cap.

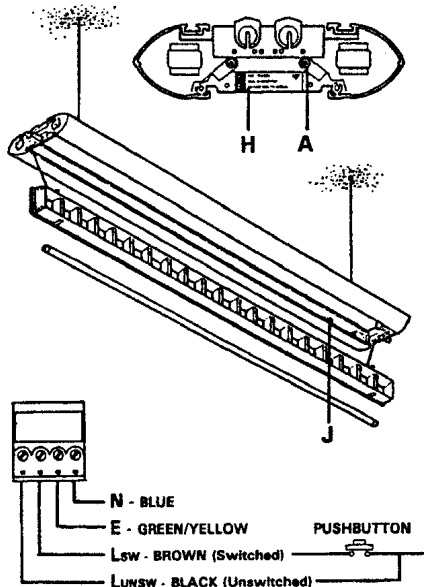
Refit lamp/s and reflector.

NOTE:

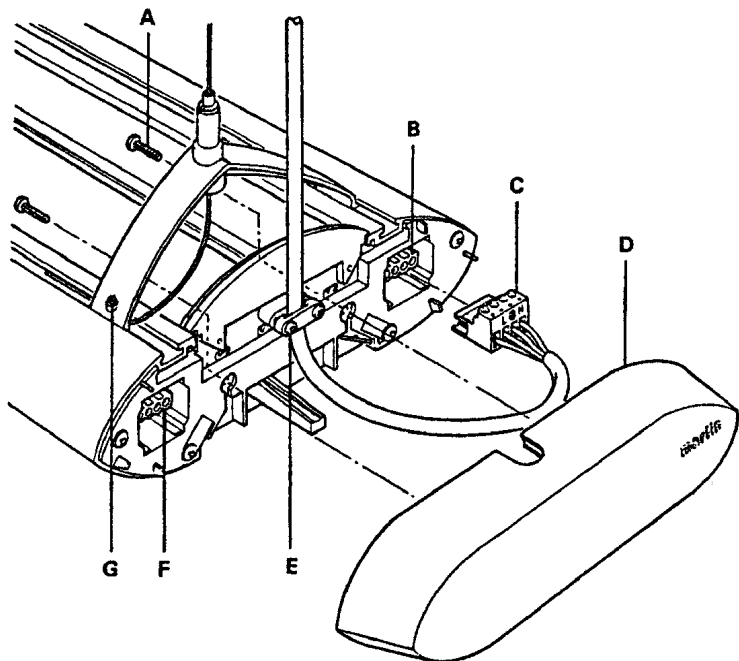
1. REPLACEMENT LAMPS - USE ONLY HIGH EFFICIENCY T5 LAMPS
2. THIS UNIT SHOULD BE CLEANED BY USING WARM SOAPY WATER AND A SOFT CLOTH - ENSURE UNIT IS SWITCHED OFF DURING CLEANING
3. DISPOSE OF LAMPS IN ACCORDANCE WITH LAMP MANUFACTURER'S INSTRUCTIONS
4. REMOVE REFLECTOR TO GAIN ACCESS TO 3A FUSE (J)



WARNING:
 1. UNIT MUST BE EARTHED
 2. DO NOT INSULATION TEST HF UNITS
 3. DO NOT PULL ON CABLE LEADS WHEN REMOVING PLUG (C) FROM SOCKET (B)



1. Unit requires an unswitched live supply to LUnsw.
2. For switching on/off and dimming connect a switched live supply to Lsw.
3. Control switch **MUST** be a momentary action pushbutton switch. A continuous make action toggle switch is **NOT** suitable.



Suitable for use indoors
 Geeignet für Innenanwendung
 Pour un usage interne

Adecuada para uso en Interiores
 Geschikt voor gebruik binnen
 Lämpilg för Inomhusbruk

This Electrical Product MUST be recycled.



Concord:marlin

Avis Way Newhaven East Sussex BN9 0ED
 T 0870 606 2030 F 01273 512 688 email: information@concordmarlin.com

FM1987
 © Concord Lighting Ltd.