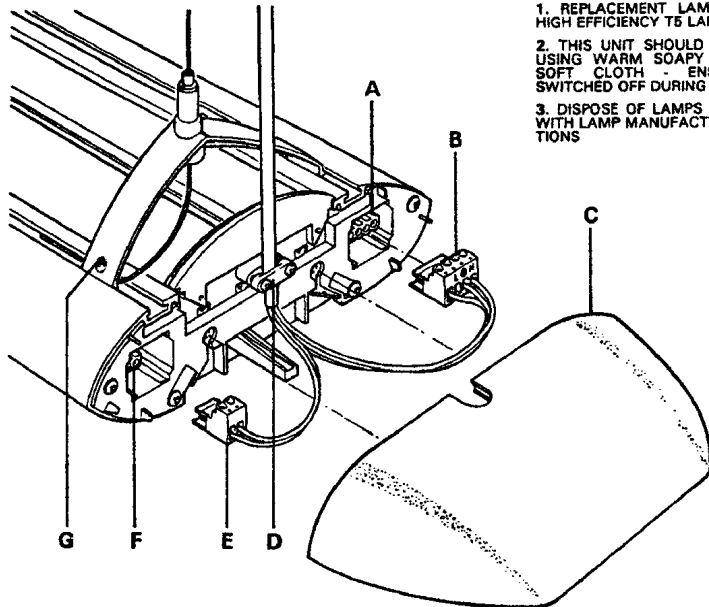


Disconnect from mains supply before replacing the fuse or the lamp.
 Vor dem Einsetzen der Sicherung oder der Lampe Spannungsfreiheit herstellen.
Débrancher le secteur avant de remplacer le fusible ou l'ampoule.
 Desconectar del suministro de la red, antes de realizar la sustitución del fusible o de la lámpara.
Voor het vervangen van lamp of zekering, eerst netspanning uitschakelen.
 Koppla bort spänningen före byte av en säkring eller en lampa.



Switch off
 Abschalten
 Débrancher
 Desconectar
 Uitschakelen
 Stäng av

WARNING
 DO NOT PULL ON CABLE LEADS WHEN REMOVING PLUGS FROM UNIT SOCKETS



NOTE:
 1. REPLACEMENT LAMPS - USE ONLY HIGH EFFICIENCY T5 LAMPS
 2. THIS UNIT SHOULD BE CLEANED BY USING WARM SOAPY WATER AND A SOFT CLOTH - ENSURE UNIT IS SWITCHED OFF DURING CLEANING
 3. DISPOSE OF LAMPS IN ACCORDANCE WITH LAMP MANUFACTURER'S INSTRUCTIONS

Installation should be carried out by a suitably qualified person in accordance with good electrical practice and the appropriate national wiring regulations.

Switch off mains electrical supply before commencing installation.

This unit can be:-

1. Connected directly to a PIR endcap.
2. Connected to a Planar unit with PIR endcap using the DSI socket.
3. Connected to a digital control system (8 bit manchester code) using the DSI socket.

INSTALLATION PROCEDURE

Pull out reflector and allow it to hang from safety cords.

Check voltage rating on label (H) conforms with mains electrical supply.

Remove lamp/s.

Connect mains supply leads in plug (B).

This unit is wired for an unswitched supply where the on/off control is provided by either the PIR or from the DSI dimmer (See NOTE A below).

For this configuration refer to diagram 2 for wiring the supply leads to the plug. (The non emergency units are also similarly wired as standard).

Locate suspension yokes/single point suspensions in unit slots and gently tighten locking screws (G).

Suspend unit and adjust height as required.

Insert plug (B) in unit socket (A).

Secure mains supply cable in cable clamp (D).

The DSI input is connected in plug (E) and plugged in unit socket (F).

Polarity is not important and the digital control is not influenced by power cables.

Units can be connected via their DSI inputs to provide linking to common control system.

A maximum of 4 units can be controlled from a PIR endcap. (Refer to diagram 4 for interconnection between units).

Fit end caps (C) using supplied fixing screws (J).

Insert supplied blanking plug in unused cable entry slot in end cap.

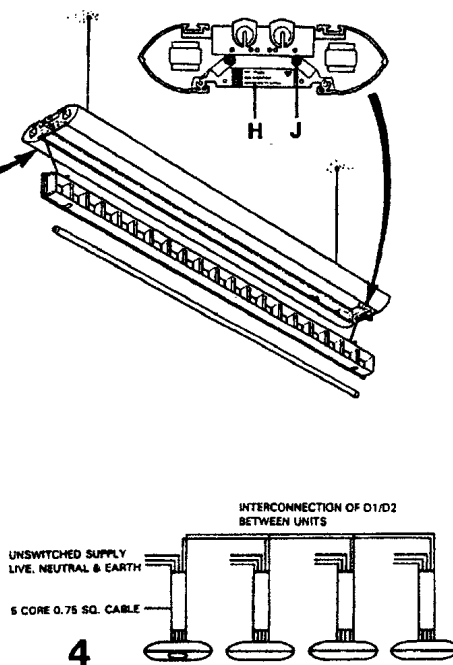
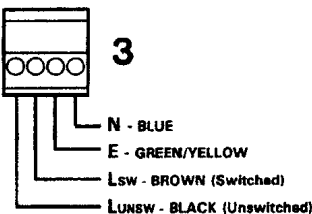
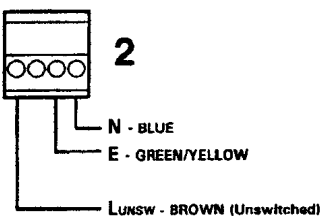
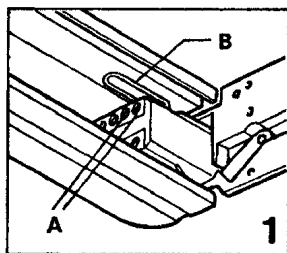
Refit lamp/s and reflector.

NOTE A:

This unit has an electrical link which has to be removed for installations where a switched supply is required in addition to a unswitched supply (certain programme configurations of the PIR may require this modification - this modification is not required for use with factory settings of the PIR).

To remove link (see Fig.1), undo screws (A) remove and discard linkwire (B).

Refer to Fig.3 for wiring supply leads in plug for this modified version.



Suitable for use indoors
 Geeignet für innenanwendung
 Pour un usage interne

Adecuada para uso en interiores
 Geschikt voor gebruik binnen
 Lämpplg för inomhusbruk

This Electrical Product MUST be recycled.

