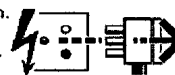


MP128/228/135/235  
(107/127/147/207/227/247/307/  
327/347 series)

**Disconnect from mains supply before replacing the fuse or the lamp.**  
Vor dem Einsetzen der Sicherung oder der Lampe Spannungsfreiheit herstellen.  
**Débrancher le secteur avant de remplacer le fusible ou l'ampoule.**  
Desconectar del suministro de la red, antes de realizar la sustitución del fusible o de la lámpara.  
**Voor het vervangen van lamp of zekering, eerst netspanning uitschakelen.**  
Koppla bort spänningen före byte av en säkring eller en lamp.



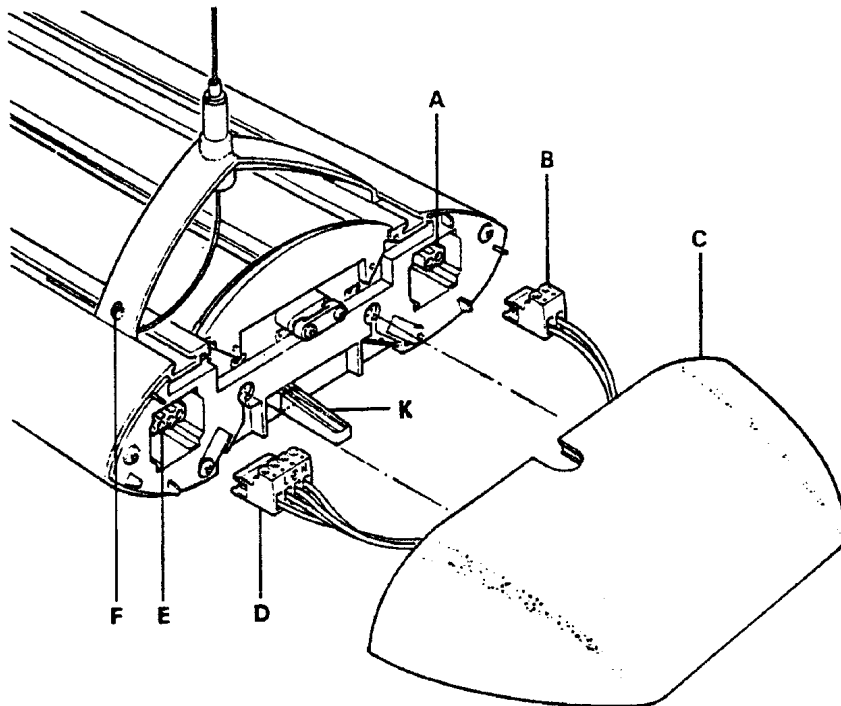
Switch Off  
Abschalten  
Débrancher  
Desconectar  
Uitschakelen  
Stäng av

Do not insulation test high frequency units.  
Do not pull on leads when removing plugs from unit sockets.

Installation should be carried out by a suitably qualified person in accordance with good electrical practice and the appropriate national wiring regulations.

Switch off mains electrical supply before commencing installation.

The PIR end cap will only control PIR units. It will not control any other ballast arrangement.



#### INSTALLATION PROCEDURE

The mains supply for unit must be at the opposite end to the PIR end cap.

The DSI signal cable must also be at the opposite end to the PIR end cap. Being a digital signal the signal cable can be combined with the power cable. The polarity of the signal cable is not important.

1. Pull out reflector and allow it to hang from safety cords.
2. Check voltage rating on label (G) conforms with mains electrical supply.
3. Remove lamps.
4. Cut off nosing (K) with side cutters to clear PIR sensor body.
5. Connect 4-way plug (D) from end cap in unit socket (E)
6. Connect 2-way plug (B) in unit socket (A).
7. Insert supplied blanking plug in cable entry slot in end cap.
8. Fit end cap using supplied screws (H).
9. Connect mains supply as described in unit installation instruction leaflet.
10. Fit other end cap, refit lamps and reflector.

**NOTE:** The unit can be operated using a Marlinea Controller MPA 301

The PIR can be used to control the unit to which it is secured plus 3 other units. The control is made by linking the DSI input of 4 units.

The PIR is delivered with the following factory settings:-

**LIGHT LEVEL** - set to MAX — Available illumination range can be reprogrammed between 1-100.

**TIME DELAY** - set to 20 mins — Sets the time delay to switch off when vacant. Can be programmed between 30 sec to 60 mins and continuous.

**PIR** - set to ACTIVE — Time delay is reset by movement detection.

**BRIGHT OUT** - YES — Unit switches off if light level is over 150% for more than 10 mins.

**WHEN** - OFF — Unit switches off when the delay timer operates.

**POWER UP** - ON — Unit switches on when power is restored after interruption.

These can be reprogrammed with a Smart Programmer MPA 300 (This is not intended to be used as a remote control device).

#### NOTE:

1. REPLACEMENT LAMPS - USE ONLY HIGH EFFICIENCY T5 LAMPS
2. THIS UNIT SHOULD BE CLEANED BY USING WARM SOAPY WATER AND A SOFT CLOTH - ENSURE UNIT IS SWITCHED OFF DURING CLEANING
3. DISPOSE OF LAMPS IN ACCORDANCE WITH LAMP MANUFACTURER'S INSTRUCTIONS
4. REMOVE REFLECTOR TO GAIN ACCESS TO 3A FUSE (J)



**Replace any cracked protective shield.**

Dieses symbol bedeutet, dass defekte Schutzgläser sofort ersetzt werden müssen.

**Ce symbole indique que vous devez remplacer tout verre de protection fêlé.**

Este simbolo indica que hay que 'reemplazar filtros en caso de rotura o desperfectos'.

**Dette symbolet indikerer at alle ødelagte (sprukne) sikkerhetglass må skiftes.**

Valaisinta ei saa käyttää ilman suojalasia vloitunut suojalasi on vaihdettava uuteen ennen valaisimen käyttöön ottoa.

Suitable for use indoors  
Geeignet für Innenanwendung  
Pour un usage Interne  
Adecuada para uso en interiores  
Geschikt voor gebruik binnen  
Lämplig för inomhusbruk



This Electrical Product  
MUST be recycled.



< Millimetres >

# Concord:marlin

Avis Way Newhaven East Sussex BN9 0ED  
T 0870 606 2030 F 01273 512 688 email: information@concordmarlin.com



© Concord Lighting Ltd.